
OpenMx User Guide

Release Beta Release 2.0.0-3475

	Steven M. Boker	Michael C. Neale
	Hermine H. Maes	Michael J. Wilde
Michael Spiegel	Timothy R. Brick	Ryne Estabrook
Timothy C. Bates	Paras Mehta	Timo von Oertzen
Ross J. Gore	Michael D. Hunter	Daniel C. Hackett
	Julian Karch	Andreas Brandmaier
	Joshua N. Pritikin	Robert Kirkpatrick
		Mahsa Zahery

May 22, 2014

1	Introduction	3
1.1	Beginners Guide to OpenMx	3
1.2	Alternative Approaches	25
2	Examples, Path Specification	55
2.1	Regression, Path Specification	55
2.2	Factor Analysis, Path Specification	61
2.3	Time Series, Path Specification	67
2.4	Multiple Groups, Path Specification	70
2.5	Genetic Epidemiology, Path Specification	73
2.6	Definition Variables, Path Specification	80
2.7	Ordinal and Joint Ordinal-Continuous Model Specification	83
2.8	Growth Mixture Modeling, Path Specification	88
3	Examples, Matrix Specification	95
3.1	Regression, Matrix Specification	95
3.2	Factor Analysis, Matrix Specification	103
3.3	Time Series, Matrix Specification	113
3.4	Multiple Groups, Matrix Specification	117
3.5	Genetic Epidemiology, Matrix Specification	121
3.6	Definition Variables, Matrix Specification	127
3.7	Likelihood, Matrix Specification	130
3.8	Ordinal and Joint Ordinal-Continuous Model Specification	133
3.9	Factor Analysis Ordinal, Matrix Specification	138
3.10	Growth Mixture Modeling, Matrix Specification	144
4	Advanced Concepts	151
4.1	OpenMx Internal Architecture	151
4.2	File Checkpointing	152
4.3	Multicore Execution	153
4.4	Full Information Maximum Likelihood, Row Fit Specification	155
4.5	CSOLNP Documentation	160
5	Changes in OpenMx	163
5.1	trunk	163
5.2	Release 1.3.0-2168 (September 17, 2012)	163
5.3	Release 1.2.5-2156 (September 5, 2012)	164
5.4	Release 1.2.4-2063 (May 22, 2012)	164
5.5	Release 1.2.3-2011 (April 10, 2012)	164
5.6	Release 1.2.2-1986 (March 22, 2012)	164
5.7	Release 1.2.1-1979 (March 21, 2012)	165

5.8	Release 1.2.0-1926 (February 04, 2012)	165
5.9	Release 1.1.2-1818 (October 24, 2011)	165
5.10	Release 1.1.1-1784 (September 11, 2011)	165
5.11	Release 1.1.0-1764 (August 22, 2011)	166
5.12	Release 1.0.7-1706 (July 6, 2011)	167
5.13	Release 1.0.6-1581 (March 10, 2011)	167
5.14	Release 1.0.5-1575 (March 8, 2011)	167
5.15	Release 1.0.4-1540 (January 16, 2011)	168
5.16	Release 1.0.3-1505 (November 10, 2010)	168
5.17	Release 1.0.2-1497 (November 5, 2010)	168
5.18	Release 1.0.1-1464 (October 8, 2010)	168
5.19	Release 1.0.0-1448 (September 30, 2010)	168
5.20	Release 0.9.2-1446 (September 26, 2010)	168
5.21	Release 0.9.1-1421 (September 12, 2010)	169
5.22	Release 0.9.0-1417 (September 10, 2010)	169
5.23	Release 0.5.2-1376 (August 29, 2010)	169
5.24	Release 0.5.1-1366 (August 22, 2010)	169
5.25	Release 0.5.0-1353 (August 08, 2010)	170
5.26	Release 0.4.1-1320 (June 12, 2010)	170
5.27	Release 0.4.0-1313 (June 09, 2010)	170
5.28	Release 0.3.3-1264 (May 24, 2010)	171
5.29	Release 0.3.2-1263 (May 22, 2010)	171
5.30	Release 0.3.1-1246 (May 09, 2010)	171
5.31	Release 0.3.0-1217 (Apr 20, 2010)	171
5.32	Release 0.2.10-1172 (Mar 14, 2010)	172
5.33	Release 0.2.9-1147 (Mar 04, 2010)	173
5.34	Release 0.2.8-1133 (Mar 02, 2010)	173
5.35	Release 0.2.7-1125 (Feb 28, 2010)	173
5.36	Release 0.2.6-1114 (Feb 23, 2010)	173
5.37	Release 0.2.5-1050 (Jan 22, 2010)	174
5.38	Release 0.2.4-1038 (Jan 15, 2010)	174
5.39	Release 0.2.3-1006 (Dec 04, 2009)	174
5.40	Release 0.2.2-951 (Oct 29, 2009)	175
5.41	Release 0.2.1-922 (Oct 10, 2009)	175
5.42	Release 0.2.0-905 (Oct 06, 2009)	175
5.43	Release 0.1.5-851 (Sep 25, 2009)	176
5.44	Release 0.1.4-827 (Sep 18, 2009)	176
5.45	Release 0.1.3-776 (Aug 28, 2009)	177
5.46	Release 0.1.2-708 (Aug 14, 2009)	177
5.47	Release 0.1 (Aug 03, 2009)	177
6	Reference	179
7	Indices and tables	181

Contents:

INTRODUCTION

1.1 Beginners Guide to OpenMx

This document is a basic introduction to OpenMx. It assumes that the reader has installed the R statistical programming language [<http://www.r-project.org/>] and the OpenMx library for R [<http://openmx.psyc.virginia.edu>]. Detailed introductions to R can be found on the internet. We recommend [<http://faculty.washington.edu/tlumley/Rcourse>] for a short course but Google search for ‘introduction to R’ provides many options.

The OpenMx scripts for the examples in this guide are available in the following files:

- <http://openmx.psyc.virginia.edu/repoview/1/trunk/demo/OneFactorPathDemo.R>
- <http://openmx.psyc.virginia.edu/repoview/1/trunk/demo/OneFactorMatrixDemo.R>
- <http://www.vipbg.vcu.edu/OpenMx/html/NewBeginnersGuide.R>

1.1.1 Basic Introduction

The main function of OpenMx is to design a statistical model which can be used to test a hypothesis with a set of data. The way to do this is to use one of the functions written in the R language as part of the OpenMx package. The function to create an Mx model is (you guessed it) `mxModel()`. Note that i) R is case sensitive and ii) the OpenMx package must be loaded before any of the OpenMx functions are used (this only has to be done once in an R session).

OpenMx Code

```
require(OpenMx)
```

We start by building a model with the `mxModel()` function, which takes a number of arguments. We explain each of these below. Usually we save the result of applying the `mxModel()` function as an R object, here called *myModel*.

OpenMx Code

```
myModel <- mxModel()
```

This R object has a special class named `MxModel`. We might read the above line ‘*myModel* gets `mxModel` left paren right paren’. In this case we have provided no arguments in the parentheses, but R has still created an empty `MxModel` object *myModel*. Obviously this model needs arguments to do anything useful, but just to get the idea of the process of ‘Model Building - Model Fitting’ here is how we would go about fitting this model. The *myModel* object becomes the argument of the OpenMx function `mxRun()` to fit the model. The result is stored in a new R object, *myModelRun* of the same class as the previous object but updated with the results from the model fitting.

OpenMx Code

```
myModelRun <- mxRun(myModel)
```

A model typically contains data, free and/or fixed parameters and some function to be applied to the data according to the model. Models can be built in a variety of ways, due to the flexibility of OpenMx which it inherited from classic **Mx** - for those of you who familiar with that software - and further expanded.

One possibility for building models is to create all the elements as separate R objects, which are then combined by calling them up in the `mxModel()` statement. We will refer to this approach as the **piecewise style**.

A second type is to start by creating an `mxModel()` with one element, and then taking this model as the basis for the next model where you add another element to it and so on. This also provides a good way to make sure that each element is syntactically correct before adding anything new. We will call this approach the **iterative/recursive/stepwise style**.

Another approach more closely resembles the traditional classic **Mx** approach, where you specify all the elements of the model at once, all as arguments of the `mxModel()`, separated by comma's. While this approach is often more compact and works well for scripts that run successfully, it is not the most recommended approach for debugging a new script. We will refer to this approach as the **classic style**.

1.1.2 A First mxModel

To introduce the model fitting process in OpenMx, we will present the basics of several OpenMx functions which can be used to write a simple model and view its contents.

Matrix Creation

Although `mxModel()` can have a range of arguments, we will start with the most simple one. Models are fitted to data which must be in numeric format (for continuous data) or factor format (for ordinal data). Here we consider continuous data. Numbers (data/parameter estimates) are typically put into matrices, except for fixed constants. The function created to put numbers into matrices is (unsurprisingly) `mxMatrix()`. Here we start with a basic matrix call and make use of only some of its possible arguments. All arguments are separated by comma's. To make it clear and explicit, we will include the names of the arguments, although that is optional if the arguments are included in the default order.

OpenMx Code

```
myAmatrix <- mxMatrix(type="Full", nrow=1, ncol=1, values=4myModel, name="Amatrix")
```

The above call to the `mxMatrix()` function has five arguments. The `type` and `name` arguments are alphanumeric and therefore their values are in quotes. The `nrows`, `ncols` and `values` arguments are numeric, and refer respectively to the number of rows, the number of columns of the matrix and the value for the (in this case only one) element of the matrix.

Matrix Contents

Once you have run/executed this statement in R, a new R object has been created, namely `myAmatrix`. When you view its contents, you'll notice it has a special class of object, made by OpenMx, called an `MxMatrix` object. This object has a number of attributes, all of which are listed when you call up the object.

```
> myAmatrix
FullMatrix 'Amatrix'

$labels: No labels assigned.

$values
  [,1]
[1,]  4
```



```

$free: No free parameters.

$lbound: No lower bounds assigned.

$subound: No upper bounds assigned.

```

Most of these attributes start with the `$` symbol. The contents of a particular attribute can be displayed by typing the name of the R object followed by the `$` symbol and the name of the attribute, for example here we're displaying the values of the matrix *myAmatrix*

```

> myAmatrix$values
      [,1]
[1,]    4

```

Note that the attribute name is part of the header of the output but is not displayed as an `$` attribute. However, it does exist as one and can be seen by typing

```

> myAmatrix$name
[1] "Amatrix"

```

Wait a minute, this is confusing. The matrix has a name, here “Amatrix”, and the R object to represent the matrix has a name, here “myAmatrix”. Remember that when you call up *myAmatrix* you get the contents of the entire MxMatrix R object. When you call up “Amatrix”, you get

```

Error: object 'Amatrix' not found

```

unless you had previously created another R object with that same name. Why do we need two names? The matrix name (here, “Amatrix”) is used within OpenMx when performing an operation on this matrix using algebra (see below) or manipulating/using the matrix in any way within a model. When you want to manipulate/use/view the matrix outside of OpenMx, or build a model by building each of the elements as R objects in the ‘piecewise’ approach, you use the R object name (here, *myAmatrix*). Let’s clarify this with an example.

Model Creation

First, we will build a model *myModel1* with just one matrix. Obviously that is not very useful but it does serve to introduce the sequence of creating a model and running it.

OpenMx Code

```

myModel1 <- mxModel( mxMatrix(type="Full", nrow=1, ncol=1, values=4, name="Amatrix") )

```

Model Execution

The `mxRun()` function will run a model through the optimizer. The return value of this function is an identical MxModel object, with all the free parameters - in case there are any - in the elements of the matrices of the model assigned to their final values.

OpenMx Code

```

myModel1Run <- mxRun(myModel1)

```

Model Contents

Note that we have saved the result of applying `mxRun()` to *myModel1* into a new R object, called *myModel1Run* which is of the same class as *myModel1* but with values updated after fitting the model. Note that the MxModel is

automatically given a name 'untitled2' as we did not specify a name argument for the `mxModel()` function.

```
> myModel1Run
MxModel 'untitled2'
type : default
$matrices : 'Amatrix'
$algebras :
$constraints :
$intervals :
$latentVars : none
$manifestVars : none
$data : NULL
$submodels :
$expectation : NULL
$fitfunction : NULL
$compute : NULL
$independent : FALSE
$options :
$output : TRUE
```

As you can see from viewing the contents of the new object, the current model only uses two of the arguments, namely `$matrices` and `$output`. Given the matrix was specified within the `mxModel`, we can explore its arguments by extending the level of detail as follows.

```
> myModel1Run$matrices
$Amatrix
FullMatrix 'Amatrix'

$labels: No labels assigned.

$values
      [,1]
[1,]    4

$free: No free parameters.

$lbound: No lower bounds assigned.

$subound: No upper bounds assigned.
```

This lists all the matrices within the `MxModel myModel1Run`. In the current case there is only one. If we want to display just a specific argument of that matrix, we first add a dollar sign, followed by the name of the matrix, and an `$` symbol prior to the required argument. Thus arguments within an object are preceded by the `$` symbol; specific elements of the same argument type are preceded by the `$` sign.

```
> myModel1Run$matrices$Amatrix$values
      [,1]
[1,]    4
```

It is also possible to omit the `$matrices` part and use the more succinct `myModel1Run$Amatrix$values`.

Similarly, we can inspect the output which also includes the matrices in `$matrices`, but only displays the values. Furthermore, the output will list algebras (`$algebras`), model expectations (`$expectations`), status of optimization (`$status`), number of evaluations (`$evaluations`), openmx version (`$mxVersion`), and a series of time measures of which the CPU time might be most useful (`$cpuTime`).

```
> myModel1Run$output
$matrices
$matrices$untitled2.Amatrix
```

```

      [,1]
[1,]    4

....
$mxVersion
[1] "999.0.0-3297"

$frontendTime
Time difference of 0.05656791 secs

$backendTime
Time difference of 0.003615141 secs

$independentTime
Time difference of 3.385544e-05 secs

$wallTime
Time difference of 0.0602169 secs

$timestamp
[1] "2014-04-10 09:53:37 EDT"

$cpuTime
Time difference of 0.0602169 secs

```

Alternative

Now let's go back to the model *myModel1* for a minute. We specified the matrix "Amatrix" within the model. Given we had previously saved the "Amatrix" in the *myAmatrix* object, we could have just used the R object as the argument of the model as follows. Here we're adding one additional element to the `MxModel()` object, namely the name argument

OpenMx Code

```

myModel2    <- mxModel(myAmatrix, name="model2")
myModel2Run <- mxRun(myModel2)

```

You can verify for yourself that the contents of *myModel2* is identical to that of *myModel1*, and the same applies to *myModel1Run* and *myModel2Run*, and as a result to the matrix contained in the model. The value of the matrix element is still 4, both in the original model and the fitted model, as we did not manipulate the matrix in any way. We refer to this alternative style of coding as 'iterative'.

Algebra Creation

Now, let's take it one step further and use OpenMx to evaluate some matrix algebra. It will come as a bit of a shock to learn that the OpenMx function to specify an algebra is called `mxAlgebra()`. Its main argument is the expression, in other words the matrix algebra formula you want to evaluate. In this case, we're simply adding 1 to the value of the matrix element, providing a name for the matrix "Bmatrix" and then save the new matrix as *myBmatrix*. Note that the matrix we are manipulating is the "Amatrix", the name given to the matrix within OpenMx.

OpenMx Code

```

myBmatrix <- mxAlgebra(expression=Amatrix+1, name="Bmatrix")

```

Algebra Contents

We can view the contents of this new matrix. Notice that the result has not yet computed, as we have not run the model yet.

```
> myBmatrix
mxAlgebra 'Bmatrix'
$formula: Amatrix + 1
$result: (not yet computed) <0 x 0 matrix>
dimnames: NULL
```

Built Model

Now we can combine the two statements - one defining the matrix, and the other defining the algebra - in one model, simply by separating them by a comma, and run it to see the result of the operation.

OpenMx Code

```
myModel3 <- mxModel(myAmatrix,myBmatrix, name="model3")
myModel3Run <- mxRun(myModel3)
```

First of all, let us view *myModel3* and more specifically the values of the matrices within that model. Note that the `$matrices` lists one matrix, “Amatrix”, and that the `$algebras` lists another, “Bmatrix”. To view values of matrices created with the `mxMatrix()` function, the argument is `$values`; for matrices created with the `mxAlgebra()` function, the argument is `$result`. Note that when viewing a specific matrix, you can omit the `$matrices` or the `$algebras` arguments.

```
> myModel3
MxModel 'model3'
type : default
$matrices : 'Amatrix'
$algebras : 'Bmatrix'
$constraints :
$intervals :
$latentVars : none
$manifestVars : none
$data : NULL
$submodels :
$expectation : NULL
$fitfunction : NULL
$compute : NULL
$independent : FALSE
$options :
$output : FALSE

> myModel3$Amatrix$values
      [,1]
[1,]    4

> myModel3$Bmatrix$result
<0 x 0 matrix>
```

Fitted Model

Given we’re looking at the model *myModel3* before it is run, results of algebra have not been computed yet. Let us see how things change after running the model and viewing *myModel3Run*.

```

> myModel3Run
MxModel 'model3'
type : default
$matrices : 'Amatrix'
$algebras : 'Bmatrix'
$constraints :
$intervals :
$latentVars : none
$manifestVars : none
$data : NULL
$submodels :
$expectation : NULL
$fitfunction : NULL
$compute : NULL
$independent : FALSE
$options :
$output : TRUE

> myModel3Run$Amatrix$values
      [,1]
[1,]     4

> myModel3Run$Bmatrix$result
      [,1]
[1,]     5

```

You will notice that the structure of the MxModel objects is identical, the value of the “Amatrix” has not changed, as it was a fixed element. However, the value of the “Bmatrix” is now the result of the operation on the “Amatrix”. Note that we’re here looking at the “Bmatrix” within the MxModel object *myModel3Run*. Please verify that the original MxAlgebra objects *myBmatrix* and *myAmatrix* remain unchanged. The `mxModel()` function call has made its own internal copies of these objects, and it is only these internal copies that are being manipulated. In computer science terms, this is referred to as *pass by value*.

Pass By Value

Let us insert a mini-lecture on the R programming language. Our experience has found that this exercise will greatly increase your understanding of the OpenMx language.

As this is such a crucial concept in R (unlike many other programming languages), let us look at it in a simple R example. We will start by assigning the value 4 to the object “avariable”, and then display it. If we then add 1 to this object, and display it again, notice that the value of “avariable” has not changed.

```

R Code

avARIABLE <- 4
avARIABLE

avARIABLE +1
avARIABLE

```

Now we introduce a function, as OpenMx is a collection of purposely built functions. The function takes a single argument (the object “number”), adds one to the argument “number” and assigns the result to “number”, and then returns the incremented number back to the user. This function is given the name `addone()`. We then apply the function to the object “avariable”, as well as display “avariable”. Thus, the objects “addone” and “avariable” are defined. The object assigned to “addone” is a function, while the value assigned to “avariable” is the number 4.

```

R Code

```

```
addone <- function(number) {  
  number <- number + 1  
  return(number)  
}  
  
addone(avariable)  
avariable
```

Note that it may be prudent to use the `print()` function to display the results back to the user. When R is run from a script rather than interactively, results will not be displayed unless the function `print()` is used as shown below.

R Code

```
print(addone(avariable))  
print(avariable)
```

What is the result of executing this code? Try it. The correct results are 5 and 4. But why is the object “avariable” still 4, even after the `addone()` function was called? The answer to this question is that R uses pass-by-value function call semantics.

In order to understand pass-by-value semantics, we must understand the difference between *objects* and *values*. The *objects* declared in this example are “addone”, “avariable”, and “number”. The *values* refer to the things that are stored by the *objects*. In programming languages that use pass-by-value semantics, at the beginning of a function call it is the *values* of the argument list that are passed to the function.

The object “avariable” cannot be modified by the function `addone()`. If I wanted to update the value stored in the object, I would have needed to replace the expression as follows:

R Code

```
print(avariable <- addone(avariable))  
print(avariable)
```

Try it. The updated example prints out 5 and 5. The lesson from this exercise is that the only way to update a object in a function call is to capture the result of the function call ¹. This lesson is sooo important that we’ll repeat it:

the only way to update an object in a function call is to capture the result of the function call.

R has several built-in types of values that you are familiar with: numerics, integers, booleans, characters, lists, vectors, and matrices. In addition, R supports S4 object values to facilitate object-oriented programming. Most of the functions in the OpenMx library return S4 object values. You must always remember that R does not discriminate between built-in types and S4 object types in its call semantics. Both built-in types and S4 object types are passed by value in R (unlike many other languages).

1.1.3 Styles

In the beginning of the introduction, we discussed three styles of writing OpenMx code: the piecewise, stepwise and classic styles. Let’s take the most recent model and show how it can be written in these three styles.

Piecewise Style

The style we used in *myModel3* is the piecewise style. We repeat the different statements here for clarity

OpenMx Code

¹ There are a few exceptions to this rule, but you can be assured such trickery is not used in the OpenMx library.

```

myAmatrix <- mxMatrix(type="Full", nrow=1, ncol=1, values=4, name="Amatrix")
myBmatrix <- mxAlgebra(expression=Amatrix+1, name="Bmatrix")

myModel3 <- mxModel(myAmatrix,myBmatrix, name="model3")
myModel3Run <- mxRun(myModel3)

```

Each argument of the `mxModel()` statement is defined separately first as independent R objects which are then combined in one model statement.

Stepwise Style

For the stepwise style, we start with an `mxModel()` with just one argument, as we originally did with the “Amatrix” in *myModel1*, as repeated below. We could run this model to make sure it’s syntactically correct.

OpenMx Code

```

myModel1 <- mxModel( mxMatrix(type="Full", nrow=1, ncol=1, values=4, name="Amatrix") )
myModel1Run <- mxRun(myModel1)

```

Then we would build a new model starting from the first model. To do this, we invoke a special feature of the first argument of an `mxModel()`. If it is the name of a saved MxModel object, for example *myModel1*, the arguments of that model would be automatically included in the new model. These arguments can be changed (or not) and new arguments can be added. Thus, in our example, where we want to keep the “Amatrix” and add the “Bmatrix”, our second model would look like this.

OpenMx Code

```

myModel4 <- mxModel(myModel1,
  mxAlgebra(expression=Amatrix+1, name="Bmatrix"),
  name="model4"
)
myModel4Run <- mxRun(myModel4)

```

Note that we call it “model4”, by adding a name argument to the `mxModel()` as to not overwrite our previous “model1”.

Classic Style

The final style may be reminiscent of classic Mx. Here we build all the arguments explicitly within one `mxModel()`. As a result only one R object is created prior to `mxRun()` ning the model. This style is more compact than the others but harder to debug.

OpenMx Code

```

myModel5 <- mxModel(
  mxMatrix(type="Full", nrow=1, ncol=1, values=4, name="Amatrix"),
  mxAlgebra(expression=Amatrix+1, name="Bmatrix"),
  name="model5"
)
myModel5Run <- mxRun(myModel5)

```

You may have seen an alternative version with the first argument in quotes. In that case, that argument refers to the name of the model and not to a previously defined model. Thus, the following specification is identical to the previous one. Note also that it is not necessary to add the ‘names’ of the arguments, as long as the arguments are listed in their default order, which can easily be verified by using the standard way to get help about a function (in this case `?mxMatrix()`).

OpenMx Code

```
myModel5 <- mxModel("model5",  
  mxMatrix(type="Full", nrow=1, ncol=1, values=4, name="Amatrix"),  
  mxAlgebra(expression=Amatrix+1, name="Bmatrix")  
)  
myModel5run <- mxRun(myModel5)
```

Note that all arguments are separated by commas. In this case, we've also separated the arguments on different lines, but that is only for clarity. No comma is needed after the last argument! If you accidentally put one in, you get the generic error message *'argument is missing, with no default'* meaning that you forgot something and R doesn't know what it should be. The bracket on the following line closes the `mxModel()` statement.

1.1.4 Data functions

Most models will be fitted to data, not just a single number. We will briefly introduce how to read data that are pre-packaged with the OpenMx library as well as reading in your own data. All standard R utilities can be used here. The critical part is to run an OpenMx model on these data, thus another OpenMx function `mxData()` is needed.

Reading Data

The `data` function can be used to read sample data that has been pre-packaged into the OpenMx library. One such sample data set is called "demoOneFactor".

R Code

```
data(demoOneFactor)
```

In order to read your own data, you will most likely use the `read.table`, `read.csv`, `read.delim` functions, or other specialized functions available from CRAN to read from 3rd party sources. We recommend you install the package **psych** which provides succinct descriptive statistics with the `describe()` function.

R Code

```
require(psych)  
describe(demoOneFactor)
```

The output of this function is shown below.

	var	n	mean	sd	median	trimmed	mad	min	max	range	skew	kurtosis	se
x1	1	500	-0.04	0.45	-0.03	-0.04	0.46	-1.54	1.22	2.77	-0.05	0.01	0.02
x2	2	500	-0.05	0.54	-0.03	-0.04	0.55	-2.17	1.72	3.89	-0.14	0.05	0.02
x3	3	500	-0.06	0.61	-0.03	-0.05	0.58	-2.29	1.83	4.12	-0.17	0.23	0.03
x4	4	500	-0.06	0.73	-0.08	-0.05	0.75	-2.48	2.45	4.93	-0.08	0.05	0.03
x5	5	500	-0.08	0.82	-0.08	-0.07	0.89	-2.62	2.18	4.80	-0.10	-0.23	0.04

Now that the data are accessible in R, we need to make them readable into our OpenMx model.

Data Source

A `mxData()` function is used to construct a data source for the model. OpenMx can handle fitting models to summary statistics and to raw data.

The most commonly used **summary statistics** are covariance matrices, means and correlation matrices; information on the variances is lost/unavailable with correlation matrices, so these are usually not recommended.

These days, the standard approach for model fitting applications is to use **raw data**, which is simply a data table or rectangular file with columns representing variables and rows representing subjects. The primary benefit of this approach is that it handles datasets with missing values very conveniently and appropriately.

Covariance Matrix

We will start with an example using summary data, so we are specifying a covariance matrix by using the R function `cov` to generate a covariance matrix from the data frame. In addition to reading in the actual covariance matrix as the first (`observed`) argument, we specify the `type` (one of “`cov`”, “`cor`”, “`sscp`” and “`raw`”) and the number of observations (`numObs`).

OpenMx Code

```
exampleDataCov <- mxData(observed=cov(demoOneFactor), type="cov", numObs=500)
```

We can view what `exampleDataCov` looks like for OpenMx.

```
> exampleDataCov
MxData 'data'
type : 'cov'
numObs : '500'
Data Frame or Matrix :
      x1      x2      x3      x4      x5
x1 0.1985443 0.1999953 0.2311884 0.2783865 0.3155943
x2 0.1999953 0.2916950 0.2924566 0.3515298 0.4019234
x3 0.2311884 0.2924566 0.3740354 0.4061291 0.4573587
x4 0.2783865 0.3515298 0.4061291 0.5332788 0.5610769
x5 0.3155943 0.4019234 0.4573587 0.5610769 0.6703023
Means : NA
Acov : NA
Thresholds : NA
```

Some models may include predictions for the mean(s). We could add an additional `means` argument to the `mxData` statement to read in the means as well.

OpenMx Code

```
exampleDataCovMeans <- mxData(observed=cov(demoOneFactor),
                              means=(colMeans(demoOneFactor)), type="cov", numObs=500)
```

The output for `exampleDataCovMeans` would have the following extra lines.

```
....
Means :
      x1      x2      x3      x4      x5
[1,] -0.04007841 -0.04583873 -0.05588236 -0.05581416 -0.07555022
```

Raw Data

Note that for most real life examples, raw data are the preferred option, except in cases where complete data are available on all variables included in the analyses. In that situation, using summary statistics is faster. To change the current example to use raw data, we would read in the data explicitly and specify the `type` as “`raw`”. The `numObs` is no longer required as the sample size is counted automatically.

OpenMx Code

```
exampleDataRow <- mxData(observed=demoOneFactor, type="raw")
```

Printing this `MxData` object would result in listing the whole data set. We show just the first few lines here:

```

> exampleData
MxData 'data'
type : 'raw'
numObs : '500'
Data Frame or Matrix :
      x1      x2      x3      x4      x5
1 -1.086832e-01 -0.4669377298 -0.177839881 -0.080931127 -0.070650263
2 -1.464765e-01 -0.2782619339 -0.273882553 -0.154120074  0.092717293
3 -6.399140e-01 -0.9295294042 -1.407963429 -1.588974090 -1.993461644
4  2.150340e-02 -0.2552252972  0.097330513 -0.117444884 -0.380906486
5  ....

```

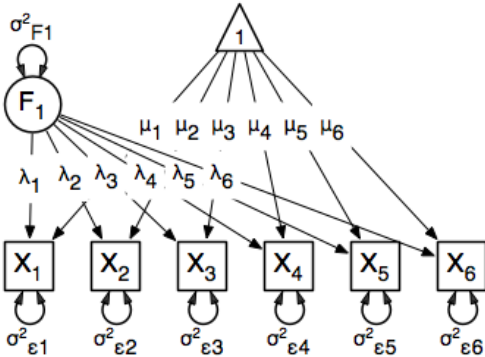
The data to be used for our example are now ready in either **covariance matrix** or **raw data** format.

1.1.5 Model functions

We introduce here several new features by building a basic factor model to real data. A useful tool to represent such a model is drawing a path diagram which is mathematically equivalent to equations describing the model. If you're not familiar with the method of path analysis, we suggest you read one of the key reference books [LI1986].

..[LI1986] Li, C.C. (1986). Path Analysis - A Primer. The Boxwood Press, Pacific Grove, CA.

Briefly, squares are used for observed variables; latent variables are drawn in circles. One-headed arrows are drawn to represent causal relationships. Correlations between variables are represented with two-headed arrows. Double-headed paths are also used for variances of variables. Below is a figure of a one factor model with five indicators (x1..x5). We have added a value of 1.0 to the variance of the latent variable G as a fixed value. All the other paths in the models are considered free parameters and are to be estimated.



Variables

To specify this path diagram in OpenMx, we need to indicate which variables are observed or manifest and which are latent. The `mxModel()` arguments `manifestVars` and `latentVars` both take a vector of variable names. In this case the manifest variables are "x1", "x2", "x3", "x4", "x5" and the latent variable is "G". The R function `c()` is used to build the vectors.

OpenMx Code

```

manifests <- c("x1", "x2", "x3", "x4", "x5")
latents <- c("G")

manifestVars = manifests
latentVars = latents

```

This could be written more succinctly as follows.

OpenMx Code

```
manifestVars = names(demoOneFactor)
latentVars = c("G")
```

because the R `names()` function call returns the vector of names that we want (the observed variables in the data frame “demoOneFactor”).

Path Creation

Paths are created using the `mxPath()` function. Multiple paths can be created with a single invocation of the `mxPath()` function.

- The `from` argument specifies the path sources, and the `to` argument specifies the path sinks. If the `to` argument is missing, then it is assumed to be identical to the `from` argument.
- The `connect` argument specifies the type of the source to sink connection, which can be one of five types. For our example, we use the default “single” type in which the i^{th} element of the `from` argument is matched with the i^{th} element of the `to` argument, in order to create a path.
- The `arrows` argument specifies whether the path is unidirectional (single-headed arrow, “1”) or bidirectional (double-headed arrow, “2”).
- The next three arguments are vectors: `free`, is a boolean vector that specifies whether a path is free or fixed; `values` is a numeric vector that specifies the starting value of the path; `labels` is a character vector that assigns a label to each free or fixed parameter. Paths with the same labels are constrained to be equal, and OpenMx insists that paths equated in this way have the same fixed or free status; if this is not the case it will report an error.

To specify the path model above, we need to specify three different sets of paths. The first are the single-headed arrows from the latent to the manifest variables, which we will put into the R object *causalPaths* as they represent causal paths. The second set are the residuals on the manifest variables, referred to as *residualVars*. The third `mxPath()` statement fixes the variance of the latent variable to one, and is called *factorVars*.

OpenMx Code

```
causalPaths <- mxPath(from=latents, to=manifests)
residualVars <- mxPath(from=manifests, arrows=2)
factorVars <- mxPath(from=latents, arrows=2, free=FALSE, values=1.0)
```

Note that several arguments are optional. For example, we omitted the `free` argument for *causalPaths* and *residualVars* because the default is ‘TRUE’ which applies in our example. We also omitted the `connect` argument for all three paths. The default “single” type automatically generates paths from every variable back to itself for all the variances, both the *residualVars* or the *factorVars*, as neither of those statements includes the `to` argument. For the *causalPaths*, the default `connect` type will generate separate paths from the latent to each of the manifest variables. To keep things simple, we did not include `values` or `labels` arguments as they are not strictly needed for this example, but this may not be true in general. Once the variables and paths have been specified, the predicted covariance matrix will be generated from the implied path diagram in the backend of OpenMx using the RAM notation (see below).

Equations

For those more in tune with equations and matrix algebra, we can represent the model using matrix algebra rather than path specifications. For reasons that may become clear later, the expression for the expected covariances between the

manifest variables is given by

$$\text{Cov}(x_{ij}) = \text{facLoadings} * \text{facVariances} * \text{facLoadings}' + \text{resVariances}$$

where *facLoadings* is a column vector of factor loadings, *facVariances* is a symmetric matrix of factor variances and *resVariances* is a diagonal matrix of residual variances. You might have noticed the correspondence between *causalPaths* and *facLoadings*, between *residualVars* and *resVariances*, and between *factorVars* and *facVariances*. To translate this model into OpenMx using the matrix specification, we will define the three matrices first using the `mxMatrix()` function, and then specify the algebra using the `mxAlgebra()` function.

Matrix Creation

The next three lines create three `MxMatrix()` objects, using the `mxMatrix()` function. The first argument declares the `type` of the matrix, the second argument declares the number of rows in the matrix (`nrow`), and the third argument declares the number of columns (`ncol`). The `free` argument specifies whether an element is a free or fixed parameter. The `values` argument specifies the starting values for the elements in the matrix, and the `name` argument specifies the name of the matrix.

OpenMx Code

```
mxFacLoadings <- mxMatrix(type="Full", nrow=5, ncol=1,
                           free=TRUE, values=0.2, name="facLoadings")
mxFacVariances <- mxMatrix(type="Symm", nrow=1, ncol=1,
                            free=FALSE, values=1, name="facVariances")
mxResVariances <- mxMatrix(type="Diag", nrow=5, ncol=5,
                            free=TRUE, values=1, name="resVariances")
```

Each `MxMatrix()` object is a container that stores five matrices of equal dimensions. The five matrices stored in a `MxMatrix()` object are: `free`, `values`, `labels`, `lbound`, and `ubound`. `Free` stores a boolean vector that determines whether a element is free or fixed. `Values` stores the current values of each element in the matrix. `Labels` stores a character label for each element in the matrix. And `lbound` and `ubound` store the lower and upper bounds, respectively, for each element that is a free parameter. If a element has no label, lower bound, or upper bound, then an NA value is stored in the element of the respective matrix.

Algebra Creation

An `mxAlgebra()` function is used to construct an expression for any algebra, in this case the expected covariance algebra. The first argument (`expression`) is the algebra expression that will be evaluated by the numerical optimizer. The matrix operations and functions that are permitted in an `MxAlgebra` expression are listed in the help for the `mxAlgebra` function (obtained by `?mxAlgebra`). The algebra expression refers to entities according to name argument of the `MxMatrix` objects.

OpenMx Code

```
mxExpCov <- mxAlgebra(expression=facLoadings %*% facVariances %*% t(facLoadings)
                           + resVariances, name="expCov")
```

You can see a direct correspondence between the formula above and the expression used to create the expected covariance matrix *myExpCov*.

1.1.6 Expectation-FitFunction

To fit a model to data, the differences between the observed covariance matrix (the data, in this case the summary statistics) and model-implied expected covariance matrix are minimized using a fit function. Fit functions are functions for which free parameter values are chosen such that the value of the fit function is minimized. Now that we have

specified data objects and path or matrix/algebra objects for the predicted covariances of our model, we need to link the two and execute them which is typically done with `Expectation` and `FitFunction` statements. PS. These two statements replace the `mxObjective` functions in earlier versions of OpenMx.

RAM Expectation

When using a path specification of the model, the fit function is always RAM which is indicated by using the `type` argument. We don't have to specify the fit function explicitly with `mxExpectation()` and `FitFunction` argument, instead we simply add the following argument to the model.

OpenMx Code

```
type="RAM"
```

To gain a better understanding of the RAM principles, we recommend reading [RAM1990]

..[RAM1990] McArdle, J.J. & Boker, S.M. (1990). RAMpath: Path diagram software. Denver: Data Transforms Inc.

Normal Expectation

When using a matrix specification, `mxExpectationNormal()` defines how model expectations are calculated using the matrices/algebra implied by the `covariance` argument and optionally the means. For this example, we are specifying an expected covariance algebra (`covariance`) omitting an expected means algebra. The expected covariance algebra is referenced according to its name, i.e. the `name` argument of the `MxAlgebra` created above. We also need to assign `dimnames` for the rows and columns of this covariance matrix, such that a correspondence can be determined between the expected and the observed covariance matrices. Subsequently we are specifying a maximum likelihood fit function with the `mxFitFunctionML()` statement.

OpenMx Code

```
expectCov <- mxExpectationNormal(covariance="expCov",
                                dimnames=names(demoOneFactor))
funML <- mxFitFunctionML()
```

The above expectation and fit function can be used when fitting to covariance matrices. A model for the predicted means is optional. However, when fitting to raw data, an expectation has to be used that specifies both a model for the means and for the covariance matrices, paired with the appropriate fit function. In the case of raw data, the `mxFitFunctionML()` function uses full-information maximum likelihood to provide maximum likelihood estimates of free parameters in the algebra defined by the `covariance` and `means` arguments. The `covariance` argument takes an `MxMatrix` or `MxAlgebra` object, which defines the expected covariance of an associated `MxData` object. Similarly, the `means` argument takes an `MxMatrix` or `MxAlgebra` object to define the expected means of an associated `MxData` object. The `dimnames` arguments takes an optional character vector. This vector is assigned to be the `dimnames` of the means vector, and the row and columns `dimnames` of the covariance matrix.

OpenMx Code

```
expectCovMeans <- mxExpectationNormal(covariance="expCov", means="expMeans",
                                       dimnames=names(demoOneFactor))
funML <- mxFitFunctionML()
```

Raw data can come in two forms, continuous or categorical. While **continuous data** have an unlimited number of possible values, their frequencies typically form a normal distribution.

There are basically two flavors of **categorical data**. If only two response categories exist, for example Yes and No, or affected and unaffected, we are dealing with binary data. Variables with three or more categories are considered ordinal.

Continuous Data

When the data to be analyzed are continuous, and models are fitted to raw data, the `mxFitFunctionML()` function will take two arguments, the `covariance` and the `means` argument, as well as `dimnames` to match them up with the observed data.

OpenMx Code

```
expectRaw <- mxExpectationNormal(covariance="expCov", means="expMeans",  
                                dimnames=manifests)  
funML <- mxFitFunctionML()
```

If the variables to be analyzed have at least 15 possible values, we recommend to treat them as continuous data. As will be discussed later in the documentation, the power of the study is typically higher when dealing with continuous rather than categorical data.

Categorical Data

For categorical - be they binary or ordinal - data, an additional argument is needed for the `mxFitFunctionML()` function, besides the `covariance` and `means` arguments, namely the `thresholds` argument.

OpenMx Code

```
expFunOrd <- mxExpectationNormal(covariance="expCov", means="expMeans",  
                                thresholds="expThres", dimnames=manifests)  
funML <- mxFitFunctionML()
```

For now, we will stick with the factor model example and fit it to covariance matrices, calculated from the raw continuous data.

1.1.7 Methods

We have introduced two ways to create a model. One is the **path method**, in which observed and latent variables are specified as well as the causal and correlational paths that connect the variables to form the model. This method may be more intuitive as the model maps on directly to the diagram. This of course assumes that the path diagram is drawn mathematically correct. Once the model is ‘drawn’ or specified correctly in this way, OpenMx translates the paths into RAM notation for predicted covariance matrices.

Alternatively, we can specify the model using the **matrix method** by creating the necessary matrices and combining them using algebra to generate the expected covariance matrices (and optionally the mean/threshold vectors). Although less intuitive, this method provides greater flexibility for developing more complex models. Let us look at examples of both.

Path Method

We have previously generated all the pieces that go into the model, using the path method specification. As we have discussed before, the `mxModel()` function is somewhat of a swiss-army knife. The first argument to the `mxModel()` function can be an argument of type `name` (and appear in quotes), in which case it is a newly generated model, or it can be a previously defined model object. In the latter case, the new model ‘inherits’ all the characteristics (arguments) of the old model, which can be changed with additional arguments. An `mxModel()` can contain `mxData()`, `mxPath()`, `mxExpectation()`, `mxFitFunction` and other `mxModel()` statements as arguments.

The following `mxModel()` function is used to create the ‘one-factor’ model, shown on the path diagram above. The first argument is a `name`, thus we are specifying a new model, called “One Factor”. By specifying the `type` argument to equal “RAM”, we create a path style model. A RAM style model must include a vector of manifest variables

(`manifestVars=`) and a vector of latent variables (`latentVars=`). We then include the arguments for reading the example data `exampleDataCov`, and those that specify the paths of the path model `causalPaths`, `residualVars`, and `factorVars` which we created previously.

OpenMx Code

```
factorModel1 <- mxModel(name="One Factor",
  type="RAM",
  manifestVars = manifests,
  latentVars = latents,
  exampleDataCov, causalPaths, residualVars, factorVars)
```

When we display the contents of this model, note that we now have manifest and latent variables specified. By using `type="RAM"` we automatically use the expectation `mxExpectationRAM` which translates the path model into RAM specification [RAM1990] as reflected in the matrices **A**, **S** and **F**, and the function `mxFitFunctionML()`. Briefly, the **A** matrix contains the asymmetric paths, which are the unidirectional paths in the `causalPaths` object, and represent the factor loadings from the latent variable onto the manifest variables. The **S** matrix contains the symmetric paths which include both the bidirectional paths in `residualVars` and in `factorVars`. The **F** matrix is the filter matrix.

The formula $F(I - A) * S * (I - A)'F'$, where **I** is an identity matrix, \sim denotes the inverse and $'$ the transpose, generates the expected covariance matrix.

```
> factorModel1
MxModel 'One Factor'
type : RAM
$matrices : 'A', 'S', and 'F'
$algebras :
$constraints :
$intervals :
$latentVars : 'G'
$manifestVars : 'x1', 'x2', 'x3', 'x4', and 'x5'
$data : 5 x 5
$data means : NA
$data type: 'cov'
$submodels :
$expectation : MxExpectationRAM
$fitfunction : MxFitFunctionML
$compute : NULL
$independent : FALSE
$options :
$output : FALSE
```

You can verify that after running the model, the new R object `factorFit` has similar arguments, except that they now contain the estimates from the model rather than the starting values. For example, we can look at the values in the **A** matrix in the built model `factorModel`, and in the fitted model `factorFit`. We will get back to this later. Note also that from here on out, we use the convention the R object containing the built model will end with `Model` while the R object containing the fitted model will end with `Fit`.

OpenMx Code

```
factorFit1 <- mxRun(factorModel1)
```

We can inspect the values of the **A** matrix in `factorModel1` and `factorFit1` respectively as follows.

```
> factorModel1$A$values
  x1 x2 x3 x4 x5 G
x1  0  0  0  0  0  0
x2  0  0  0  0  0  0
x3  0  0  0  0  0  0
x4  0  0  0  0  0  0
```

```
x5  0  0  0  0  0  0  0
G   0  0  0  0  0  0  0

> factorFit1$A$values
  x1 x2 x3 x4 x5      G
x1  0  0  0  0  0  0.3971521
x2  0  0  0  0  0  0.5036611
x3  0  0  0  0  0  0.5772414
x4  0  0  0  0  0  0.7027737
x5  0  0  0  0  0  0.7962500
G   0  0  0  0  0  0.0000000
```

We can also specify all the arguments directly within the `mxModel()` function, using the **classical** style, as follows. The script reads data from disk, creates the one factor model, fits the model to the observed covariances, and prints a summary of the results.

OpenMx Code

```
data(demoOneFactor)
manifests <- names(demoOneFactor)
latents <- c("G")

factorModel1 <- mxModel(name="One Factor",
  type="RAM",
  manifestVars=manifests,
  latentVars=latents,
  mxPath(from=latents, to=manifests),
  mxPath(from=manifests, arrows=2),
  mxPath(from=latents, arrows=2, free=FALSE, values=1.0),
  mxData(observed=cov(demoOneFactor), type="cov", numObs=500)
)

factorFit1 <- mxRun(factorModel1)
summary(factorFit1)
```

For more details about the summary and alternative options to display model results, see below.

Matrix Method

We will now re-create the model from the previous section, but this time we will use a matrix specification technique. The script reads data from disk, creates the one factor model, fits the model to the observed covariances, and prints a summary of the results.

We have already created separate objects for each of the parts of the model, which can then be combined in an `mxModel()` statement at the end. To repeat ourselves, the name of an OpenMx entity bears no relation to the R object that is used to identify the entity. In our example, the object “`mxFacLoadings`” stores a value that is a `MxMatrix` object with the name “`facLoadings`”. Note, however, that it is not necessary to use different names for the name within the `MxMatrix` object and the name of the R object generated with the statement. For more complicated models, using the same name for both rather different entities, may make it easier to keep track of the various pieces. For now, we will use different names to highlight which one should be used in which context.

OpenMx Code

```
data(demoOneFactor)

factorModel2 <- mxModel(name="One Factor",
  exampleDataCov, mxFacLoadings, mxFacVariances, mxResVariances,
  mxExpCov, expectCov, funML)
```



```
factorFit2 <- mxRun(factorModel2)
summary(factorFit2)
```

Alternatively, we can write the script in the **classical** style and specify all the matrices, algebras, objective function and data as arguments to the `mxModel()`.

OpenMx Code

```
data(demoOneFactor)

factorModel2 <- mxModel(name="One Factor",
  mxMatrix(type="Full", nrow=5, ncol=1, free=TRUE, values=0.2, name="facLoadings"),
  mxMatrix(type="Symm", nrow=1, ncol=1, free=FALSE, values=1, name="facVariances"),
  mxMatrix(type="Diag", nrow=5, ncol=5, free=TRUE, values=1, name="resVariances"),
  mxAlgebra(expression=facLoadings %*% facVariances %*% t(facLoadings)
    + resVariances, name="expCov"),
  mxExpectationNormal(covariance="expCov", dimnames=names(demoOneFactor)),
  mxFitFunctionML()
  mxData(observed=cov(demoOneFactor), type="cov", numObs=500)
)

factorFit2 <- mxRun(factorModel2)
summary(factorFit2)
```

Now that we've specified the model with both methods, we can run both examples and verify that they indeed provide the same answer by inspecting the two fitted R objects "factorFit1" and "factorFit2".

1.1.8 Output

We can generate output in a variety of ways. As you might expect, the **summary** function summarizes the model, including data, model parameters, goodness-of-fit and run statistics.

Note that the fitted model is an R object that can be further manipulated, for example, to output specific parts of the model or to use it as a basis for developing an alternative model.

Model Summary

The summary function (`summary(modelname)`) is a convenient method for displaying the highlights of a model after it has been executed. Many R functions have an associated `summary()` function which summarizes all key aspects of the model. In the case of OpenMx, the `summary(model)` includes a summary of the data, a list of all the free parameters with their name, matrix element locators, estimate and standard error, as well as lower and upper bounds if those were assigned. Currently the list of goodness-of-fit statistics printed include the number of observed statistics, the number of estimated parameters, the degrees of freedom, minus twice the log-likelihood of the data, the number of observations, the chi-square and associated p-value and several information criteria. Various time-stamps and the OpenMx version number are also displayed.

```
> summary(factorFit1)
data:
`One Factor.data`
`One Factor.data`$cov
      x1      x2      x3      x4      x5
x1 0.1985443 0.1999953 0.2311884 0.2783865 0.3155943
x2 0.1999953 0.2916950 0.2924566 0.3515298 0.4019234
x3 0.2311884 0.2924566 0.3740354 0.4061291 0.4573587
x4 0.2783865 0.3515298 0.4061291 0.5332788 0.5610769
x5 0.3155943 0.4019234 0.4573587 0.5610769 0.6703023
```

```
free parameters:
  name matrix row col Estimate Std.Error Std.Estimate Std.SE lbound ubound
1 One Factor.A[1,6] A x1 G 0.39715182 0.015549708 0.89130932 0.034897484
2 One Factor.A[2,6] A x2 G 0.50366066 0.018232433 0.93255458 0.033758321
3 One Factor.A[3,6] A x3 G 0.57724092 0.020448313 0.94384664 0.033435037
4 One Factor.A[4,6] A x4 G 0.70277323 0.024011318 0.96236250 0.032880581
5 One Factor.A[5,6] A x5 G 0.79624935 0.026669339 0.97255562 0.032574489
6 One Factor.S[1,1] S x1 x1 0.04081418 0.002812716 0.20556770 0.014166734
7 One Factor.S[2,2] S x2 x2 0.03801997 0.002805791 0.13034196 0.009618951
8 One Factor.S[3,3] S x3 x3 0.04082716 0.003152305 0.10915353 0.008427851
9 One Factor.S[4,4] S x4 x4 0.03938701 0.003408870 0.07385841 0.006392303
10 One Factor.S[5,5] S x5 x5 0.03628708 0.003678556 0.05413557 0.005487924

observed statistics: 15
estimated parameters: 10
degrees of freedom: 5
-2 log likelihood: -3648.281
saturated -2 log likelihood: -3655.665
number of observations: 500
chi-square: 7.384002
p: 0.1936117
Information Criteria:
  df Penalty Parameters Penalty Sample-Size Adjusted
AIC: -2.615998 27.38400 NA
BIC: -23.689038 69.53008 37.78947
CFI: 0.9993583
TLI: 0.9987166
RMSEA: 0.03088043
timestamp: 2014-04-10 10:23:07
frontend time: 0.02934313 secs
backend time: 0.005492926 secs
independent submodels time: 1.907349e-05 secs
wall clock time: 0.03485513 secs
cpu time: 0.03485513 secs
openmx version number: 999.0.0
```

The table of free parameters requires a little more explanation. First, <NA> are given for the name of elements that were not assigned a label. Second, the columns ‘row’ and ‘col’ display the variables at the tail of the paths and the variables at the head of the paths respectively. Third, standard errors are calculated. We will discuss the use of standard errors versus confidence intervals later on.

Model Evaluation

The `mxEval()` function should be your primary tool for observing and manipulating the final values stored within a `MxModel` object. The simplest form of the `mxEval()` function takes two arguments: an expression and a model. The expression can be **any** arbitrary expression to be evaluated in R. That expression is evaluated, but the catch is that any named entities or parameter names are replaced with their current values from the model. The model can be either a built or a fitted model.

OpenMx Code

```
myModel6 <- mxModel('topmodel',
  mxMatrix('Full', 1, 1, values=1, free=TRUE, labels='p1', name='A'),
  mxModel('submodel',
    mxMatrix('Full', 1, 1, values=2, free=FALSE, labels='p2', name='B')
  )
)
```

```

)
myModel6Run <- mxRun(myModel6)
mxEval(A + submodel.B + p1 + p2, myModel6)      # initial values
mxEval(A + submodel.B + p1 + p2, myModel6Run)   # final values

```

Note that the expression can include both matrices, algebras as well as matrix element labels, each taking on the value of the model specified in the `model` argument. To reinforce an earlier point, it is not necessary to restrict the expression only to valid MxAlgebra expressions. In the following example, we use the `harmonic.mean()` function from the `psych` package.

OpenMx Code

```

library(psych)
nVars <- 4
mxEval(nVars * harmonic.mean(c(A, submodel.B)), myModel6)

```

When the name of an entity in a model collides with the name of a built-in or user-defined function in R, the named entity will supercede the function. We strongly advice against naming entities with the same name as the predefined functions or values in R, such as *c*, *T*, and *F* among others.

The `mxEval()` function allows the user to inspect the values of named entities without explicitly poking at the internals of the components of a model. We encourage the use of `mxEval()` to look at the state of a model either before the execution of a model or after model execution.

Indexing Operator

MxModel objects support the `$` operator, also known as the list indexing operator, to access all the components contained within a model. Here is an example collection of models that will help explain the uses of the `$` operator:

OpenMx Code

```

myModel7 <-
  mxModel('topmodel',
    mxMatrix(type='Full', nrow=1, ncol=1, name='A'),
    mxAlgebra(A, name='B'),
    mxModel('submodel1',
      mxConstraint(topmodel1.A == topmodel1.B, name = 'C'),
      mxModel('undersub1',
        mxData(diag(3), type='cov', numObs=10)
      )
    ),
    mxModel('submodel2',
      mxFitFunctionAlgebra('topmodel1.A')
    )
  )

```

Access Elements

The first useful trick is entering the string `model$` in the R interpreter and then pressing the TAB key. You should see a list of all the named entities contained within the `model` object.

```

> model$
model$A
model$B
model$submodel1
model$submodel2
model$submodel1.C

```

```
model$undersub1
model$undersub1.data
model$submodel2.fitfunction
```

The named entities of the model are displayed in one of three modes.

1. All of the submodels contained within the parent model are accessed by using their unique model name (submodel1, submodel2, and undersub1).
2. All of the named entities contained within the parent model are displayed by their names (A and B).
3. All of the named entities contained by the submodels are displayed in the `modelname.entityname` format (submodel1.C, submodel2.objective, and undersub1.data).

Modify Elements

The list indexing operator can also be used to modify the components of an existing model. There are three modes of using the list indexing operator to perform modifications, and they correspond to the three modes for accessing elements.

In the first mode, a submodel can be replaced using the unique name of the submodel or even eliminated.

OpenMx Code

```
# replace 'submodel1' with the contents of the mxModel() expression
model$submodel1 <- mxModel(...)
# eliminate 'undersub1' and all children models
model$undersub1 <- NULL
```

In the second mode, the named entities of the parent model are modified using their names. Existing matrices can be eliminated or new matrices can be created.

OpenMx Code

```
# eliminate matrix 'A'
model$A <- NULL
# create matrix 'D'
model$D <- mxMatrix(...)
```

In the third mode, named entities of a submodel can be modified using the `modelname.entityname` format. Again existing elements can be eliminated or new elements can be created.

OpenMx Code

```
# eliminate constraint 'C' from submodel1
model$submodel1.C <- NULL
# create algebra 'D' in undersub1
model$undersub1.D <- mxAlgebra(...)
# create 'undersub2' as a child model of submodel1
model$submodel1.undersub2 <- mxModel(...)
```

Keep in mind that when using the list indexing operator to modify a named entity within a model, the name of the created or modified entity is always the name on the left-hand side of the `<-` operator. This feature can be convenient, as it avoids the need to specify a name of the entity on the right-hand side of the `<-` operator.

1.1.9 Classes

We have introduced a number of OpenMx functions which correspond to specific classes which are summarized below. The basic unit of abstraction in the OpenMx library is the model. A model serves as a container for a collection of

matrices, algebras, constraints, expectation, fit functions, data sources, and nested sub-models. In the parlance of R, a model is a value that belongs to the class `MxModel` that has been defined by the OpenMx library. The following table indicates what classes are defined by the OpenMx library.

entity	S4 class
model	<code>MxModel</code>
data source	<code>MxData</code>
matrix	<code>MxMatrix</code>
algebra	<code>MxAlgebra</code>
expectation	<code>MxExpectationRAM</code> <code>MxExpectationNormal</code>
fit function	<code>MxFitFunctionML</code>
constraint	<code>MxConstraint</code>

All of the entities listed in the table are identified by the OpenMx library by the name assigned to them. A name is any character string that does not contain the "." character. In the parlance of the OpenMx library, a model is a container of named entities. The name of an OpenMx entity bears no relation to the R object that is used to identify the entity. In our example, the object `factorModel` is created with the `mxModel()` function and stores a value that is an "MxModel" object with the name 'One Factor'.

1.2 Alternative Approaches

In the Beginner's Guide, we introduced the OpenMx framework for building and fitting models to data. Here we will discuss some basic examples in more detail, providing a parallel treatment of the different formats and types of data and their associated functions to apply them to and the different methods and styles to build and fit models. We will start with a single variable - univariate - example and generate data of different type and in different formats. Three types of data can be used:

"(1)" continuous data, "(2)" ordinal data or "(3)" binary data,

and the two supported data formats are

"(i)" summary statistics, i.e. covariance matrices and possibly means, and "(ii)" raw data format.

We will illustrate all of them, as arguments of functions may differ. There are currently two supported methods for specifying models:

"(a)" path specification and "(b)" matrix specification.

Each example is presented using both approaches, so you can get a sense of their advantages/ disadvantages, and see which best fits your style. In the 'path specification' model style you specify a model in terms of paths in a path diagram; the 'matrix specification' model style relies on matrices and matrix algebra to produce OpenMx code. Furthermore, we will introduce the different styles available to specify models and data, namely

"(A)" the piecewise style, "(B)" the stepwise style and "(C)" the classic style.

This will be done for a bivariate extension of the first example.

The code used to run the examples in this chapter is available [here](#), and you may wish to access it while working through this manual.

- <http://openmx.psyc.virginia.edu/repoview/1/trunk/demo/AlternativeApproaches.R>
- <http://www.vipbg.vcu.edu/OpenMx/html/AlternativeApproaches.R>

1.2.1 Introduction

Our first example fits a model to one variable - and is thus considered a univariate model. The simplest model is one in which we estimate the variance of the variable. Additionally we can estimate both the mean and the variance - a

so called saturated model. You might wonder why we use a modeling framework to estimate the mean and variance of a variable which we can do with anything from a calculator to using any basic spreadsheet or statistical program. That is a fair question if you're just interested in the value of the mean and/or variance. However, if you want to test, for example the mean of your variable is equal to a certain fixed value or to the mean of another variable or the same variable in another group, the modeling framework becomes relevant.

1.2.2 Data Handling

You probably have your favorite data set ready to go, but before reading in data from an external file, we simulate a simple dataset directly in R, and use some of R's great capabilities. As this is not an R manual, we just provide the code here with minimal explanation. There are several helpful sites for learning R, for instance <http://www.statmethods.net/>

OpenMx Code

```
# Simulate Data
set.seed(100)
x <- rnorm(1000, 0, 1)
univData <- as.matrix(x)
dimnames(univData) <- list(NULL, "X")
summary(univData)
mean(univData)
var(univData)
```

The first line is a comment (starting with a #). We set a seed for the simulation so that we generate the same data each time and get a reproducible answer. We then create a variable `x` for 1000 subjects, with a mean of 0 and a variance of 1, using R's normal distribution function `rnorm`. We read the data in as a matrix into an object `univData` and give the variable a name "X" using the `dimnames` command. We can easily produce some descriptive statistics in R using built-in functions `summary`, `mean` and `var`, just to make sure the data look like what we expect. The output generated looks like this:

```
summary(univData)
      V1
Min.   :-3.32078
1st Qu.:-0.64970
Median : 0.03690
Mean   : 0.01681
3rd Qu.: 0.70959
Max.   : 3.30415
> mean(univData)
[1] 0.01680509
> var(univData)
      [,1]
[1,] 1.062112
```

For our second example, we will be fitting models to two variables which may be correlated. The data used for the second example were generated using the multivariate normal function (`mvrnorm` in the R package MASS). The `mvrnorm` has three arguments: (i) sample size, (ii) vector of means, and (iii) covariance matrix. We are simulating data on two variables named `X` and `Y` for 1000 individuals with means of zero, variances of one and a covariance of 0.5 using the following R code, and saved is as `bivData`. Note that we can now use the R function `colMeans` to generate the predicted means for the columns of our data frame and the `cov` to generate the observed covariance matrix.

OpenMx Code

```
# Simulate Data
require(MASS)
set.seed(200)
```

```
bivData <- mvrnorm (1000, c(0,0), matrix(c(1, .5, .5, 1), 2, 2))
dimnames(bivData) <- list(NULL, c('X', 'Y'))
summary(bivData)
colMeans(bivData)
cov(bivData)
```

Notice that the simulated data are close to what we expected.

```
> summary(bivData)
      X                Y
Min.  :-3.296159   Min.  :-2.942561
1st Qu.: -0.596177 1st Qu.: -0.633711
Median :-0.010538 Median :-0.004139
Mean   :-0.004884 Mean   : 0.032116
3rd Qu.: 0.598326 3rd Qu.: 0.739236
Max.   : 4.006771 Max.   : 4.173841
> colMeans(bivData)
      X                Y
-0.004883811  0.032116480
> cov(bivData)
      X                Y
X  0.9945328  0.4818317
Y  0.4818317  1.0102951
```

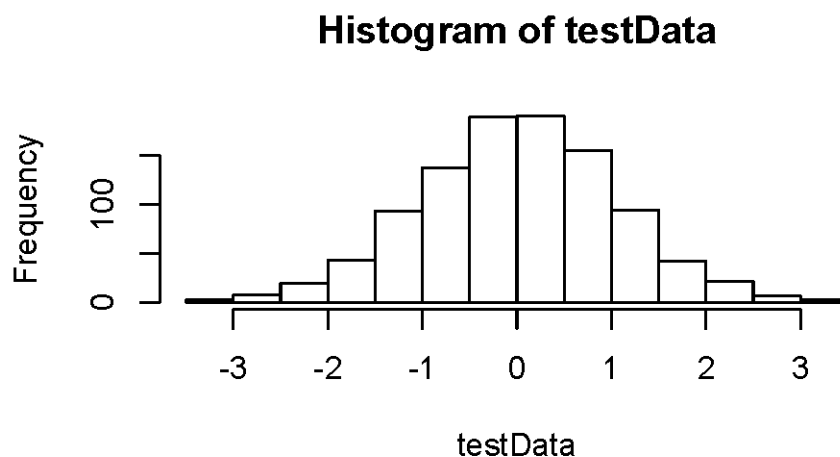
Data Types

Continuous Data

The data we simulated are continuous in nature and follow a normal distribution. This can easily be verified by R's excellent graphical capabilities. Here we show the R code and a basic histogram of the *univData* we generated.

OpenMx Code

```
hist(univData)
```



This is the ideal type of data, as many of the models we fit to them assume that the data are normally distributed. However, reality is often different and it might be necessary to apply a transformation to the original data to better

approximate a normal distribution. When there are 15 or more possible values for the variable of interest, it is appropriate to treat them as continuous. Note that although the simulated data have many more than 15 different values, values are binned to simplify the graph.

Continuous data can be summarized by their mean and standard deviation. Two or more variables are summarized by a vector of means and a covariance matrix which provides information on the variance of each of the variables as well as the covariances between the variables.

Categorical Data

A lot of variables, however, are not measured on a continuous scale, but using a limited number of categories. If the categories are ordered in a logical way, we refer to them as *ordinal* variables and often assume that the underlying construct follows a normal distribution. This assumption can actually be tested for any ordinal variable with a minimum of three categories, when more than one variable is available or the same variable is measured in related individuals or over time.

Categorical data contain less information than continuous data, and are summarized by thresholds which predict the proportion of individuals in a specific category. As the sum of the proportions of each of the categories adds up to one, there is no information about the variance. The relationship between two or more variables can be summarized in a correlation matrix. Rather than estimating two (or more) thresholds and a correlation(s), one could fix the first threshold to zero and the second to one and estimate the means and covariance matrices instead, which can be interpreted in the same way as for continuous variables. The estimated proportion in each of the categories can then be calculated by rescaling the statistics.

Often, unfortunately, variables are only measured with two categories (Yes/No, affected/unaffected, etc.) and are called *binary* variables. The only statistic to be estimated in the univariate case is the threshold and no information is available about the variance. With two or more variables, their relationship is also summarized in a correlation matrix.

The power of your study is directly related to the type of variable analyzed, and is typically higher for continuous variables compared to categorical variables, with ordinal variables providing more power than binary variables. Whenever possible, use continuous variables or at least ordinal variables.

As a lot of real data are only available as categorical variables, we will generate both an ordinal and a binary variable from the simulated continuous variable in 'univData'. The code below uses the `cut` and `breaks` commands to cut the continuous variable into 5 ordered categories.

OpenMx Code

```
univDataOrd <- data.frame(X=cut(univData[,1], breaks=5, ordered_result=T,
                              labels=c(0,1,2,3,4)) )
table(univDataOrd)
```

A summary of the resulting data set can be generated as follows:

```
> table(univDataOrd)
univDataOrd
 0   1   2   3   4
28 216 483 244  29
```

A similar approach could be used to create a binary variable. However, here we show an alternative way to generate a binary variable using a specific cutoff using the `ifelse` command. We will assign a value of 1 when the value of our original standardized continuous variable is above 0.5; otherwise a value of 0 will be assigned.

OpenMx Code

```
univDataBin <- data.frame(X=ifelse(univData[,1] >.5,1,0))
table(univDataBin)
```

The resulting data set table looks as follows:


```
> table(univDataBin)
univDataBin
  0  1
680 320
```

We will go through the same steps to generate ordinal and binary data from the simulated bivariate data. Given we need to repeat the same statement for the two variables, we employ a `for` statement.

OpenMx Code

```
bivDataOrd <- data.frame(bivData)
for (i in 1:2) { bivDataOrd[,i] <- cut(bivData[,i], breaks=5, ordered_result=T,
                                     labels=c(0,1,2,3,4)) }
  table(bivDataOrd[,1],bivDataOrd[,2])
bivDataBin <- data.frame(bivData)
for (i in 1:2) { bivDataBin[,i] <- ifelse(bivData[,i] >.5,1,0) }
  table(bivDataBin[,1],bivDataBin[,2])
```

Data Formats

Raw Data

To make these data available for statistical modeling in OpenMx, we need to create an “MxData” object which is accomplished with the `mxData` function. Remember to load the OpenMx package first.

OpenMx Code

```
require(OpenMx)
obsRawData <- mxData( observed=univData, type="raw" )
selVars <- "X"
```

First, we read the data matrix in with the `observed` argument. Then, we tell OpenMx what format or type the data is in, in this case we’re reading in the raw data. We save this MxData object as `obsRawData`. As later on, we need to be able to map our data onto the model, we typically create a vector with the variable labels of the variable(s) we are analyzing. To make our scripts more readable, we use consistent names for objects - something you can decide to copy or change according to your preferences - and we use `selVars` for the variables we select for analysis. In this example, it is a single variable `X`.

```
> obsRawData
MxData 'data'
type : 'raw'
numObs : '1000'
Data Frame or Matrix :
      X
[1,] -5.021924e-01
[2,]  1.315312e-01
....
[1000,] -2.141428e+00
Means : NA
Acov : NA
Thresholds : NA
```

A look at this newly created object shows that it was given the name `data`, which is done by default. It has the `type` that we specified, and `numObs` are automatically counted for us. The actual data for the variable `X` are then listed; we only show the first two values.

In a similar manner we create a MxData object for the second example. We read in the observed ‘`bivData`’, and indicate the `type` as `raw`. We refer to this object as `obsBivData`.

OpenMx Code

```
obsBivData <- mxData( observed=bivData, type="raw" )
```

If we want to fit models to categorical data, we need to read in the ordinal or binary data. However, when your data are ordinal or binary, OpenMx expects them to be ‘ordered factors’. To ensure that your data have the appropriate format, it is recommended/required to apply the `mxFactor` command to the categorical variables, where the `x` argument reads in a vector of data or a `data.frame`, and `levels` expects a vector of possible values for those data. We save the resulting objects as `univDataOrdF` and `univDataBinF`, or `bivDataOrdF` and `bivDataBinF` for the corresponding data in the second example.

OpenMx Code

```
univDataOrdF <- mxFactor( x=univDataOrd, levels=c(0:4) )
univDataBinF <- mxFactor( x=univDataBin, levels=c(0,1) )
bivDataOrdF <- mxFactor( x=bivDataOrd, levels=c(0:4) )
bivDataBinF <- mxFactor( x=bivDataBin, levels=c(0,1) )
```

Next, we generate the corresponding `MxData` objects.

OpenMx Code

```
obsRawDataOrd <- mxData( observed=univDataOrdF, type="raw" )
obsRawDataBin <- mxData( observed=univDataBinF, type="raw" )
obsBivDataOrd <- mxData( observed=bivDataOrdF, type="raw" )
obsBivDataBin <- mxData( observed=bivDataBinF, type="raw" )
```

Summary Stats

Covariances While analyzing raw data is the standard in most statistical modeling these days, this was not the case in a previous generation of computers, which could only deal with summary statistics. As fitting models to summary statistics still is much faster than using raw data (unless your data set is small), it is sometimes useful for didactic purposes. Furthermore, sometimes one has access only to the summary statistics. In the case where the dataset is complete, in other words there are no missing data, there is no advantage to using raw data. For our example, we can easily create a covariance matrix based on our data set by using R’s `var()` function, in the case of analyzing a single variable, or `cov()` function, when analyzing more than one variable. This can be done prior to or directly when creating the `MxData` object. Its first argument, `observed`, reads in the data from an R matrix or `data.frame`, with the `type` given in the second argument, followed by the `numObs` argument which is necessary when reading in summary statistics.

OpenMx Code

```
univDataCov <- var(univData)
obsCovData <- mxData( observed=univDataCov, type="cov", numObs=1000 )
```

or

OpenMx Code

```
obsCovData <- mxData( observed=var(univData), type="cov", numObs=1000 )
```

Given our first example has only one variable, we use the `var()` function (as there is no covariance for a single variable). When summary statistics are used as input, the number of observations (`numObs`) needs to be supplied. The resulting `MxData` object looks as follows:

```
> obsCovData
MxData 'data'
type : 'cov'
numObs : '1000'
```

```
Data Frame or Matrix :
      X
X 1.062112
Means : NA
Acov : NA
Thresholds : NA
```

The differences with the previous data objects are that the type is now ‘cov’ and the actual data frame is now a single value, the variance of the 1000 data points.

Covariances and Means In addition to the observed covariance matrix, a fourth argument `means` can be added for the vector of observed means from the data, calculated using the R `colMeans` command.

OpenMx Code

```
obsCovMeanData <- mxData( observed=var(univData), type="cov", numObs=1000,
                          means=colMeans(univData) )
```

You can verify that the new `obsCovMeanData` object now has a value for the observed means as well.

For the second, bivariate example the only change we’d have to make - besides reading in the `bivData` - is the use of `cov` instead of `var` to generate the object for the observed covariance matrix.

Correlations To analyze categorical data, we can also fit the models to summary statistics, in this case, correlation matrices, as indicated by using the `cor()` R command to generate them and by the `type="cor`, which also requires the `numObs` argument to indicate how many observations (data records) are in the dataset.

OpenMx Code

```
obsOrdData <- mxData( observed=cor(univDataOrdF), type="cor", numObs=1000 )
```

We will start by fitting a simple univariate model to the continuous data and then show which changes have to be made when dealing with ordinal or binary variables. For the continuous data example, we will start with fitting the model to the summary statistics prior to fitting to raw data and show their equivalence (in the absence of missing data).

1.2.3 Model Handling

Path Method

Summary Stats

If we have data on a single variable X summarized in its variance, the basic univariate model will simply estimate the variance of the variable X . We call this model saturated because there is a free parameter corresponding to each and every observed statistic. Here we have covariance matrix input only, so we can estimate one variance. This model can be represented by the following path diagram:



Model Building When using the path specification, it is easiest to work from the path diagram. Assuming you are familiar with path analysis (*for those who are not, there are several excellent introductions, see [LI1986]*), we have a box for the observed/manifest variable X , and one double headed arrow, labeled σ^2_X . To indicate which variable we are analyzing, we use the `manifestVars` argument, which takes a vector of labels. In this example, we are selecting one variable, which we pre-specified in the `selVars` object.

OpenMx Code

```
selVars <- c("X")
manifestVars=selVars
```

We have already built the `MxData` object above, so here we will build the model by specifying the relevant paths. Our first model only has one path which has two arrows and goes from the variable X to the variable X . That path represents the variance of X which we aim to estimate. Let's see how this translates into the `mxPath` object.

The `mxPath` command indicates where the path originates (`from`) and where it ends (`to`). If the `to` argument is omitted, the path ends at the same variable where it started. The `arrows` argument distinguishes one-headed arrows (if `arrows=1`) from two-headed arrows (if `arrows=2`). The `free` command is used to specify which elements are free or fixed with a `TRUE` or `FALSE` option. If the `mxPath` command creates more than one path, a single `T` implies that all paths created here are free. If some of the paths are free and others fixed, a list is expected. The same applies for the `values` command which is used to assign starting values or fixed final values, depending on the corresponding 'free' status. Optionally, lower and upper bounds can be specified (using `lbound` and `ubound`, again generally for all the paths or specifically for each path). Labels can also be assigned using the `labels` command which expects as many labels (in quotes) as there are elements. Thus for our example, we specify only a `from` argument, as the double-headed arrow (`arrows=2`) goes back to X . This path is estimated (`free=TRUE`), and given a start value of 1 (`values=1`) and has to be positive (`lbound=.01`). Finally we assign it a label (`labels="vX"`). The generated `MxPath` object is called `expVariance`.

OpenMx Code

```
expVariance <- mxPath(
  from=c("X"), arrows=2,
  free=TRUE,
  values=1,
  lbound=.01,
  labels="vX"
),
```

Note that all arguments could be listed on one line; in either case they are separated by comma's:

OpenMx Code

```
expVariance <- mxPath( from=c("X"), arrows=2,
  free=TRUE, values=1, lbound=.01, labels="vX" )
```

The resulting `MxPath` object looks as follows:

```
> expVariance
mxPath
 $from: 'X'
 $to: 'X'
 $arrows: 2
 $values: 1
 $free: TRUE
 $labels: vX
 $lbound: 0.01
 $ubound: NA
 $connect: single
```

To evaluate the model that we have built, we need an expectation and a fit function that obtains the best solution for the model given the data. When using the path specification, both are automatically generated by invoking the `type=RAM` argument in the model. The ‘RAM’ objective function has a predefined structure.

OpenMx Code

```
type="RAM"
```

Internally, OpenMx translates the paths into RAM notation in the form of the matrices **A**, **S**, and **F** [see RAM1990]. Before we can ‘run’ the model through the optimizer, we need to put all the arguments into an `MxModel` using the `mxModel` command. Its first argument is a name, and therefore is in quotes. We then add all the arguments we have built so far, including the list of variables to be analyzed in `manifestVars`, the `MxData` object, and the predicted model specified using paths.

OpenMx Code

```
univSatModel1 <- mxModel("univSat1", manifestVars=selVars, obsCovData,
                          expVariance, type="RAM" )
```

We can inspect the `MxModel` object generated by this statement.

```
> univSatModel1
MxModel 'univSat1'
type : RAM
$matrices : 'A', 'S', and 'F'
$algebras :
$constraints :
$intervals :
$latentVars : none
$manifestVars : 'X'
$data : 1 x 1
$data means : NA
$data type: 'cov'
$submodels :
$expectation : MxExpectationRAM
$fitfunction : MxFitFunctionML
$compute : NULL
$independent : FALSE
$options :
$output : FALSE
```

Note that only the relevant arguments have been updated, and that the path information has been stored in the **A**, **S**, and **F** matrices. The free parameter for the variance “vX” ends up in the **S** matrix which holds the symmetric (double-headed) paths. Here we print the details for this **S** matrix:

```
> univSatModel1$matrices$S
SymmMatrix 'S'

$labels
  X
X "vX"

$values
  X
X 1

$free
  X
X TRUE
```

```
$lbound
  X
X 0.01

$ubound: No upper bounds assigned.
```

Model Fitting So far, we have specified the model, but nothing has been evaluated. We have ‘saved’ the specification in the object `univSatModel1`. This object is evaluated when we invoke the `mxRun` command with the `MxModel` object as its argument.

OpenMx Code

```
univSatFit1 <- mxRun(univSatModel1)
```

You can verify that the arguments of the `univSatModel1` and `univSatFit1` look mostly identical. What we expect to be updated with the estimated value of variance is the element of the **S** matrix, which we can output as follows:

```
> univSatFit1$matrices$S$values
  X
X 1.062112
```

An alternative form of extracting values from a matrix is:

```
> univSatFit1[['S']]$values
  X
X 1.062112
```

There are actually a variety of ways to generate output. We will promote the use of the `mxEval` command, which takes two arguments: an expression and a model object. The expression can be a matrix or algebra defined in the model, new calculations using any of these matrices/algebras of the model, the objective function, etc. Here we use `mxEval` to simply list the values of the **S** matrix, which formats the output slightly differently as a typical R matrix object, and call it *EC1*, short for the expected covariance:

```
EC1 <- mxEval(S, univSatFit1)
> EC1
  X
X 1.062112
```

We can then use any regular R function in the `mxEval` command to generate derived fit statistics, some of which are built in as standard. When fitting to covariance matrices, the saturated likelihood can be easily obtained and subtracted from the likelihood of the data to obtain a Chi-square goodness-of-fit. The saturated likelihood, here named ‘SL1’ is obtained from the `$output$Saturated` argument of the fitted object `univSatFit1` which contains a range of statistics. We get the likelihood of the data, here referred to as *LL1*, from the `$output$fit` argument of the fitted object `univSatFit1`.

OpenMx Code

```
SL1 <- univSatFit1$output$Saturated
LL1 <- univSatFit1$output$fit
Chi1 <- LL1-SL1
```

The output of these objects like as follows

```
> SL1
[1] 1059.199
> LL1
[1] 1059.199
> Chi1
[1] 0
```

An alternative to requesting specific output is to generate the default summary of the model, which can be done with the `summary` function, and can also be saved in another R object, i.e. `univSatSumm1`.

OpenMx Code

```
summary(univSatFit1)
univSatSumm1 <- summary(univSatFit1)
```

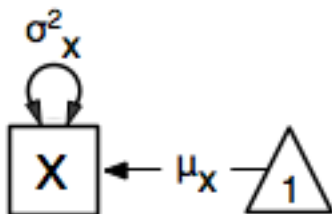
This output includes a summary of the data (if available), a list of all the free parameters with their estimates (if the model contains free parameters), their confidence intervals (if requested), a list of goodness-of-fit statistics, and a list of job statistics (timestamps and OpenMx version).

```
> univSatSumm1
data:
$univSat1.data
$univSat1.data$cov
      X
X 1.062112

free parameters:
  name matrix row col Estimate Std.Error Std.Estimate Std.SE lbound ubound
1  vX      S  X  X 1.062112 0.04752282          1 0.04474372 0.01

observed statistics: 1
estimated parameters: 1
degrees of freedom: 0
-2 log likelihood: 1059.199
saturated -2 log likelihood: 1059.199
number of observations: 1000
chi-square: 0
p: 1
Information Criteria:
  df Penalty Parameters Penalty Sample-Size Adjusted
AIC      0          2.000000          NA
BIC      0          6.907755          3.731699
CFI: NaN
TLI: NaN
RMSEA: NA
timestamp: 2014-04-02 18:41:35
frontend time: 0.09399414 secs
backend time: 0.007524967 secs
independent submodels time: 5.602837e-05 secs
wall clock time: 0.1015751 secs
cpu time: 0.1015751 secs
openmx version number: 999.0.0-3160
```

In addition to providing a covariance matrix as input data, we could add a means vector. As this requires a few minor changes, lets highlight those. The path diagram for this model, now including means (path from triangle of value 1) is as follows:



We have to specify one additional `mxPath` command for the means. In the path diagram, the means are specified by a triangle which has a fixed value of one, reflected in the `from="one"` argument, with the `to` argument referring to the variable whose mean is estimated. Note that paths for means are always single headed. We will save this path as the R object `expMean`.

OpenMx Code

```
expMean <- mxPath(from="one", to="X", arrows=1, free=TRUE, values=0, labels="mX")
```

This new path adds one additional parameter, called 'mX'.

```
> expMean
mxPath
$from: 'one'
$to: 'X'
$arrows: 1
$values: 0
$free: TRUE
$labels: mX
$lbound: NA
$subound: NA
$connect: single
```

The other required change is in the `mxData` command, which now takes a fourth argument `means` for the vector of observed means from the data, calculated using the R `colMeans` command.

OpenMx Code

```
obsCovMeanData <- mxData( observed=var(univData), type="cov", numObs=1000,
                           means=colMeans(univData) )
```

As this new object will simply be added to the previous model, we can build onto our existing model. Therefore, instead of using the first argument for the name, we use it in its other capacity, namely as the name of a previously defined `MxModel` object that is being modified. In this case, we start with the previous model `univSatModel1`, which becomes the first argument of our new model `univSatModel1M`. To change the name of the object, we add a `name` argument. Note that the default order of arguments can be changed by adding the argument's syntax name. We then add the new argument for the expected means, as well as the modified `MxData` object.

OpenMx Code

```
univSatModel1M <- mxModel(univSatModel1, name="univSat1M", expMean, obsCovMeanData )
```

Note the following changes in the modified `MxModel` below. First, the name is changed to 'univSat1M'. Second, an additional matrix **M** was generated for the expected means vector. Third, observed means were added, here referred to as '\$data means'.

```
> univSatModel1M
MxModel 'univSat1M'
type : RAM
$matrices : 'A', 'S', 'F', and 'M'
$algebras :
$constraints :
$intervals :
$latentVars : none
$manifestVars : 'X'
$data : 1 x 1
$data means : 1 x 1
$data type: 'cov'
$submodels :
$expectation : MxExpectationRAM
```



```

$fitfunction : MxFitFunctionML
$compute : NULL
$independent : FALSE
$options :
$output : FALSE

```

When a mean vector is supplied and a parameter added for the estimated mean, the RAM matrices **A**, **S** and **F** are augmented with an **M** matrix which can be extracted from the output in a similar way as the expected variance before, and is called 'EMI', short for expected mean.

OpenMx Code

```

univSatFit1M <- mxRun(univSatModel1M)
EM1M        <- mxEval(M, univSatFit1M)
univSatSumm1M <- summary(univSatFit1M)

```

The new summary object *univSatSumm1M* is different from the previous one in the following ways: the observed data means were added, an extra free parameter is listed and estimated, thus the fit statistics are updated. Notice, however, that the likelihood of both models is the same. (We have cut part of the summary that is not relevant here.)

```

> univSatSumm1M
data:
$univSat1M.data
$univSat1M.data$cov
      X
X 1.062112

$univSat1M.data$means
      X
[1,] 0.01680509

free parameters:
  name matrix row col  Estimate  Std.Error Std.Estimate  Std.SE lbound ubound
1  vX      S   X   X 1.06211141 0.04752281      1 0.04474372  0.01
2  mX      M   1   X 0.01680503 0.03259006      NA      NA

observed statistics:  2
estimated parameters: 2
degrees of freedom:  0
-2 log likelihood: 1059.199
saturated -2 log likelihood: 1059.199
number of observations: 1000
chi-square: 8.867573e-12
p: 0
Information Criteria:
      df Penalty Parameters Penalty Sample-Size Adjusted
AIC 8.867573e-12      4.00000      NA
BIC 8.867573e-12     13.81551     7.463399

```

Raw Data

Instead of fitting models to summary statistics, it is now popular to fit models directly to the raw data and using full information maximum likelihood (FIML). Doing so requires specifying not only a model for the covariances, but also one for the means, just as in the case of fitting to covariance matrices and mean vectors described above.

The only change required is in the MxData object, *obsRawData* defined above, which reads the raw data in directly from an R matrix or a data.frame into the observed first argument, and has `type="raw"` as its second argument.

A nice feature of OpenMx is that existing models can be easily modified. Here we will start from the saturated model estimating covariances and means from summary statistics, namely *univSatModel1M*, as both expected means and covariances have to be modeled when fitting to raw data.

OpenMx Code

```
univSatModel2 <- mxModel(univSatModel1M, obsRawData )
```

The resulting model can be run as usual using `mxRun`:

OpenMx Code

```
univSatFit2 <- mxRun(univSatModel2)
univSatSumm2 <- summary(univSatFit2)
EM2 <- mxEval(M, univSatFit2)
EC2 <- mxEval(S, univSatFit2)
LL2 <- univSatFit2$output$fit
```

Note that the estimates for the expected means, as well as the expected covariance matrix are exactly the same as before, as we have no missing data.

```
> EM2
      X
[1,] 0.01680499
> EC2
      X
X 1.061049
> LL2
[1] 2897.135
```

The estimates for the predicted mean and covariance matrix are exactly the same as those obtained when fitting to summary statistics. The likelihood, however, is different.??

```
> univSatSumm2
data:
$univSat1M.data
      X
Min.   :-3.32078
1st Qu.:-0.64970
Median : 0.03690
Mean   : 0.01681
3rd Qu.: 0.70959
Max.   : 3.30415

free parameters:
  name matrix row col Estimate Std.Error Std.Estimate Std.SE lbound ubound
1  vX      S   X   X 1.06104923 0.04745170          1 0.04472149 0.01
2  mX      M   1   X 0.01680499 0.03257418          NA          NA

observed statistics: 1000
estimated parameters: 2
degrees of freedom: 998
-2 log likelihood: 2897.135
saturated -2 log likelihood: NA
number of observations: 1000
chi-square: NA
p: NA
Information Criteria:
  df Penalty Parameters Penalty Sample-Size Adjusted
AIC 901.1355          2901.135          NA
```

BIC -3996.8043

2910.951

2904.599

Matrix Method

The next example replicates these models using matrix-style coding. In addition to the `mxData` and `mxModel` commands which were introduced before, the code to specify the model includes three new commands, (i) `mxMatrix`, and (ii) `mxExpectationNormal` and `mxFitFunctionML()`.

Summary Stats

Covariances Starting with the model fitted to the summary covariance matrix, the `mxData` is identical to that used in path style models, as is the case for all the corresponding models specified using paths or matrices.

To specify the model, we now create a matrix for the expected covariance matrix using the `mxMatrix` command. The first argument is its `type`, symmetric for a covariance matrix. The second and third arguments are the number of rows (`nrow`) and columns (`ncol`) – one each for a univariate model. The `free` and `values` parameters work as in the path specification. If only one element is given, it is applied to all elements of the matrix. Alternatively, each element can be assigned its free/fixed status and starting value with a list command. Note that in the current example, the matrix is a simple **1x1** matrix, but that will change rapidly in the later examples.

OpenMx Code

```
expCovMat <- mxMatrix( type="Symm", nrow=1, ncol=1,
                      free=TRUE, values=1, name="expCov" )
```

The resulting `MxMatrix` object `expCovMat` looks as follows. Note that the starting value for the free parameter is 1 and that optionally labels can be assigned for the rows and columns of the matrix and lower and upper bounds can be assigned to limit the parameter space for the estimation:

```
> expCovMat
SymmMatrix 'expCov'

$labels: No labels assigned.

$values
  [,1]
[1,]  1

$free
  [,1]
[1,] TRUE

$lbound: No lower bounds assigned.

$ubound: No upper bounds assigned.
```

To link the model for the covariance matrix to the data, an `mxExpectation` needs to be specified which will then be evaluated with an `mxFitFunction`. The `mxExpectationNormal` command takes two arguments, `covariance` to hold the expected covariance matrix (which we named “expCov” above using the `mxMatrix` command), and `dimnames` which allow the mapping of the observed data to the expected covariance matrix, i.e. the model. `mxFitFunctionML()` will invoke the maximum likelihood (‘ML’), to obtain the best estimates for the free parameters.

OpenMx Code

```
expectCov <- mxExpectationNormal( covariance="expCov", dimnames=selVars )
funML <- mxFitFunctionML()
```

The internal name of an `MxExpectationNormal` object is by default *expectation* and that for an `MxFitFunctionML` object is by default *fitfunction*. We can thus inspect these two objects by using the names of the resulting objects, here *expCovFun* and *ML* as shown below. The result of applying the fit function is not yet computed and thus reported as `<0 x 0 matrix>`; its arguments will change after running the model successfully.

```
> expectCov
MxExpectationNormal 'expectation'
$covariance : 'expCov'
$means : NA
$dims : 'X'
$thresholds : NA
$threshnames : 'X'

> funML
MxFitFunctionML 'fitfunction'
$vector : FALSE
<0 x 0 matrix>
```

We can then simply combine the appropriate elements into a new model and fit it in the usual way to the data. Please note that within the `mxExpectationNormal` function, we refer to the expected covariance matrix by its name within the `mxMatrix` function that created the matrix, namely *expCov*. However when we combine the arguments into the `mxModel` function, we use the name of the `MxMatrix` and `MxMLObjective` objects, respectively *expCovMat*, *expCovFun* and *ML*, as shown below.

OpenMx Code

```
univSatModel3 <- mxModel("univSat3", obsCovData, expCovMat, expectCov, funML)
univSatFit3 <- mxRun(univSatModel3)
univSatSumm3 <- summary(univSatFit3)
```

Note that the estimates for the free parameters and the goodness-of-fit statistics are exactly the same for the matrix method as they were for the path method.

```
> univSatSumm3
data:
 $univSat3.data
 $univSat3.data$cov
      X
X 1.062112

free parameters:
  name matrix row col Estimate Std.Error lbound ubound
1 <NA> expCov X X 1.062112 0.04752287

observed statistics: 1
estimated parameters: 1
degrees of freedom: 0
-2 log likelihood: 1059.199
saturated -2 log likelihood: 1059.199
number of observations: 1000
chi-square: 0
p: 1
Information Criteria:
  df Penalty Parameters Penalty Sample-Size Adjusted
AIC 0 2.000000 NA
BIC 0 6.907755 3.731699
```

We can also obtain the values of the likelihood by accessing the fitted object with the default name for the fit function, here `univSatFit4$fitfunction`. Note the the expectation part of the fitted object has not changed.

```
> univSatFit3$expectation
MxExpectationNormal 'expectation'
$covariance : 'expCov'
$means : NA
$dims : 'X'
$thresholds : NA
$threshnames : 'X'

> univSatFit3$fitfunction
MxFitFunctionML 'fitfunction'
$vector : FALSE
      [,1]
[1,] 1059.199
attr(,"expCov")
      [,1]
[1,] 1.062112
attr(,"expMean")
<0 x 0 matrix>
attr(,"gradients")
<0 x 0 matrix>
attr(,"SaturatedLikelihood")
[1] 1059.199
attr(,"IndependenceLikelihood")
[1] 1059.199
```

Covariances + Means A means vector can also be added to the observed data as the fourth argument of the `mxData` command. When means are requested to be modeled, a second `mxMatrix` command is required to specify the vector of expected means. In this case a matrix of `type='Full'`, with one row and one column, is assigned `free=T` with start value zero, and the name `expMean`. The object is saved as `expMeanMat`.

OpenMx Code

```
expMeanMat <- mxMatrix( type="Full", nrow=1, ncol=1,
                        free=TRUE, values=0, name="expMean" )
```

When we inspect this `MxMatrix` object, note that it looks rather similar to the `expCovMat` object, except for the name and type and start value. Its estimate depends entirely on which argument of the expectation function it is supposed to represent. As soon as we move to an example with more than one variable, the difference becomes more obvious as the expected means will be a vector while the expected covariance matrix will always be a symmetric matrix.

```
> expMeanMat
SymmMatrix 'expMean'

$labels: No labels assigned.

$values
      [,1]
[1,] 0

$free
      [,1]
[1,] TRUE

$lbound: No lower bounds assigned.
```

```
  $ubound: No upper bounds assigned.
```

The second change is adding an additional argument `means` to the `mxExpectationNormal` function for the expected mean, here `expMean`.

OpenMx Code

```
expCovMean <- mxExpectationNormal( covariance="expCov", means="expMean",
                                   dimnames=selVars )
```

We now create a new model based on the old one, give it a new name, read in the `MxData` object with covariance and mean, add the `MxMatrix` object for the means and change the expectation function to the one created above.

OpenMx Code

```
univSatModel3M <- mxModel(univSatModel3, name="univSat3M", obsCovMeanData,
                          expMeanMat, expCovMean, funML )
univSatFit3M   <- mxRun(univSatModel3M)
univSatSumm3M  <- summary(univSatFit3M)
```

You can verify that the only changes to the output are the addition of the means to the data and estimates, resulting in two observed statistics and two estimated parameters rather than one. As a result the values AIC and BIC criteria have changed although the value for the likelihood is exactly the same as before.

Raw Data

Finally, if we want to use the matrix specification with raw data, no changes are needed to the matrices for the means and covariances, or to the expectation which combines the two. Instead of summary statistics, we now fit the model to the raw data, saved in the `MxData` object `obsRawData`. The fit function is still the same `mxFitFunctionML()` but now uses FIML (Full Information Maximum Likelihood), appropriate for raw data to evaluate the likelihood of the data.

The `MxModel` object for the saturated model applied to raw data has a name `univSat4`, a `MxData` object `obsRawData`, a `MxMatrix` object for the expected covariance matrix `expCovMat`, a `MxMatrix` object for the expected means vector `expMeanMat`, a `mxExpectationNormal` object `expCovMeanFun`, and a `mxFitFunction` object `ML`.

OpenMx Code

```
univSatModel4 <- mxModel("univSat4", obsRawData,
                          expCovMat, expMeanMat, expCovMean, funML )
univSatFit4   <- mxRun(univSatModel4)
univSatSumm4  <- summary(univSatFit4)
```

The output looks like this:

```
> univSatSumm4
data:
$univSat4.data
  X
Min.   :-3.32078
1st Qu.: -0.64970
Median :  0.03690
Mean    :  0.01681
3rd Qu.:  0.70959
Max.    :  3.30415

free parameters:
  name matrix row col Estimate Std.Error lbound ubound
```

```

1 <NA> expCov X X 1.06104925 0.04745032
2 <NA> expMean 1 X 0.01680499 0.03257294

observed statistics: 1000
estimated parameters: 2
degrees of freedom: 998
-2 log likelihood: 2897.135
saturated -2 log likelihood: NA
number of observations: 1000
chi-square: NA
p: NA
Information Criteria:
      df Penalty Parameters Penalty Sample-Size Adjusted
AIC   901.1355                2901.135                NA
BIC -3996.8043                2910.951                2904.599

```

Note that the output generated for the paths and matrices specification are again completely equivalent, regardless of whether the model was fitted to summary statistics or raw data. In each of the four versions of the model fitted to the same data, the data objects were generated from the continuous data. Similar models can be fit to categorical data, with one or more thresholds delineating the proportion of individual in each of the two or more categories, based on the assumption of an underlying (multi)normal probability density function.

Threshold Model

Binary Data We will show below - only for the version using the matrix method to build a model to be fitted to the raw data - which changes are required when the input data is categorical. We'll start with a binary example, followed by an ordinal one.

First, we read in the binary data, *obsRawDataBin* created earlier. Then we turn the symmetric predicted covariance matrix into a standardized matrix with the variance of categorical variables (on the diagonal) fixed to one. To estimate the thresholds, we need to fix the mean to zero, by changing the `type` argument to 'Zero'. The one new object that is required is a matrix for the thresholds which will be estimated. For binary data, the threshold matrix is similar to the means matrix before.

OpenMx Code

```

expCovMatBin <- mxMatrix( type="Stand", nrow=1, ncol=1,
                          free=TRUE, values=.5, name="expCov" )
expMeanMatBin <- mxMatrix( type="Zero", nrow=1, ncol=1, name="expMean" )
expThreMatBin <- mxMatrix( type="Full", nrow=1, ncol=1,
                          free=TRUE, values=0, name="expThre" )

```

Let's inspect the latter matrix.

```

> expThreMatBin
FullMatrix 'expThre'

$labels: No labels assigned.

$values
      [,1]
[1,]    0

$free
      [,1]
[1,] TRUE

```

```
$lbound: No lower bounds assigned.
```

```
$ubound: No upper bounds assigned.
```

The final change is adding an additional `threshold` argument to the `mxExpectationNormal` function for the expected threshold, here `expThreMatBin`.

OpenMx Code

```
expectBin <- mxExpectationNormal( covariance="expCov", means="expMean",  
                                  threshold="expThre", dimnames=selVars )
```

We then include all these objects into a model `univSat5` and fit it to the data.

OpenMx Code

```
univSatModel5 <- mxModel("univSat5", obsRawDataBin,  
                          expCovMatBin, expMeanMatBin, expThreMatBin, expectBin, funML )  
univSatFit5    <- mxRun(univSatModel5)  
univSatSumm5   <- summary(univSatFit5)
```

The summary of the univariate model fitted to binary data includes a summary of the data. Given binary data have no variance, it is fixed to one while the threshold is estimated.

```
> univSatSumm5  
data:  
$univSat5.data  
 X  
 0:680  
 1:320  
  
free parameters:  
  name matrix row col Estimate Std.Error lbound ubound  
1 <NA> expThre    1    X 0.4676989 0.04124951  
  
observed statistics: 1000  
estimated parameters: 1  
degrees of freedom: 999  
-2 log likelihood: 1253.739  
saturated -2 log likelihood: NA  
number of observations: 1000  
chi-square: NA  
p: NA  
Information Criteria:  
  df Penalty Parameters Penalty Sample-Size Adjusted  
AIC -744.2611                1255.739                NA  
BIC -5647.1086               1260.647                1257.471  
CFI: NA  
TLI: NA  
RMSEA: NA  
timestamp: 2012-02-24 00:32:39  
frontend time: 0.1296248 secs  
backend time: 0.007578135 secs  
independent submodels time: 5.102158e-05 secs  
wall clock time: 0.137254 secs  
cpu time: 0.137254 secs  
openmx version number: 999.0.0-1661
```


Ordinal Data Next, we will show how to adapt the model to analyze an ordinal variable. As the number of thresholds depends on the variable, we specify it first, by creating a number of thresholds *nth* object. The matrices for the expected covariance matrices and expected means are the same as in the binary case. The matrix for the thresholds, however, now has as many rows as there are thresholds. Furthermore, start values should be increasing. Here, we estimate the thresholds directly though.

OpenMx Code

```
nth <- 4
expCovMatOrd <- mxMatrix( type="Stand", nrow=1, ncol=1,
                          free=TRUE, values=.5, name="expCov" )
expMeanMatOrd <- mxMatrix( type="Zero", nrow=1, ncol=1, name="expMean" )
expThreMatOrd <- mxMatrix( type="Full", nrow=nth, ncol=1,
                          free=TRUE, values=c(-1.5, -.5, .5, 1.5), name="expThre" )
```

Here we print the matrix of thresholds:

```
> expThreMatOrd
FullMatrix 'expThre'

$labels: No labels assigned.

$values
  [,1]
[1,] -1.5
[2,] -0.5
[3,]  0.5
[4,]  1.5

$free
  [,1]
[1,] TRUE
[2,] TRUE
[3,] TRUE
[4,] TRUE

$lbound: No lower bounds assigned.

$ubound: No upper bounds assigned.
```

The remainder of the model statements is almost identical to those of the binary model, except for replacing ‘Bin’ with ‘Ord’.

OpenMx Code

```
expFunOrd <- mxExpectationNormal( covariance="expCov", means="expMean",
                                 threshold="expThre", dimnames=selVars )
univSatModel6 <- mxModel("univSat6", obsRawDataOrd,
                        expCovMatOrd, expMeanMatOrd, expThreMatOrd, expectOrd, funML )
univSatFit6 <- mxRun(univSatModel6)
univSatSumm6 <- summary(univSatFit6)
```

Thresholds An alternative approach to ensure that the thresholds are increasing can be enforced through multiplying the threshold matrix with a lower triangular matrix of ‘Ones’ and bounding all threshold increments except the first to be positive. The first threshold will be estimated as before. The remaining thresholds are estimated as increments from the previous thresholds. To generalize this, we specify a start value for the lower threshold (‘svLTh’) and for the increments (‘svITh’), and then create a vector of start values to match the number of thresholds (‘svTh’). Similarly, a vector of lower bounds is defined with all thresholds, except the first bounded to be positive (‘lbTh’). These start

values and lower bounds are read in to a MxMatrix object, of size $nth \times 1$, similar to the threshold matrix in the previous example. Then, we create a lower triangular matrix of ones which will be pre-multiplied with the threshold matrix to generate the expected threshold matrix *expThreMatOrd*. The rest of the model is not changed, except that all the intermediate matrices, named *threG* and *inc* also have to be included in the MxModel object *univSatModel6I*.

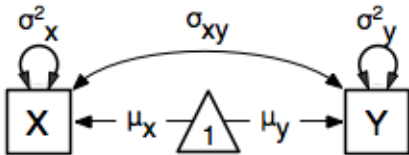
OpenMx Code

```
svLTh      <- -1.5                                # start value for first threshold
svITH      <- 1                                  # start value for increments
svTh       <- c(svLTh, (rep(svITH, nth-1)))      # start value for thresholds
lbTh       <- c(-3, (rep(0.001, nth-1)))        # lower bounds for thresholds

threG      <- mxMatrix( type="Full", nrow=nth, ncol=1,
                        free=TRUE, values=svTh, lbound=lbTh, name="Thre" )
inc        <- mxMatrix( type="Lower", nrow=nth, ncol=nth,
                        free=FALSE, values=1, name="Inc" )
expThreMatOrd <- mxAlgebra( expression= Inc %**% Thre, name="expThre" )
expectOrd  <- mxExpectationNormal( covariance="expCov", means="expMean",
                                   threshold="expThre", dimnames=selVars )
univSatModel6I <- mxModel("univSat6", obsRawDataOrd,
                          expCovMatOrd, expMeanMatOrd,
                          Inc, Thre, expThreMatOrd, expectOrd, funML )
univSatFit6I  <- mxRun(univSatModel6I, unsafe=T)
univSatSumm6I <- summary(univSatFit6I)
```

1.2.4 Approaches

Rarely will we analyze a single variable. As soon as a second variable is added, not only can we estimate both means and variances, but also a covariance between the two variables, as shown in the following path diagram:



The path diagram for our bivariate example includes two boxes for the observed variables ‘X’ and ‘Y’, each with a two-headed arrow for the variance of each of the variables. We also estimate a covariance between the two variables with the two-headed arrow connecting the two boxes. The optional means are represented as single-headed arrows from a triangle to the two boxes.

As raw data are now standard for data analysis, we will focus this example on fitting directly to the raw data. We will present the example in both the path and the matrix specification, and furthermore show not only the piecewise style but also the stepwise and the classic style of writing OpenMx scripts.

Piecewise Style

Here we will illustrate the various approaches with the bivariate example. For the piecewise approach, we’ll show both the path specification and the matrix specification. The other two approaches, stepwise and classic, will just be shown for the matrix example as specifying models using matrix algebra allows for greater flexibility and variety of models to be built.

Path Method

In the path specification, we will use three `mxPath` commands to specify (i) the variance paths, (ii) the covariance path, and (iii) the mean paths. We first specify the number of variables `nv` and which variables are selected for analysis `selVars`.

OpenMx Code

```
nv      <- 2
selVars <- c('X', 'Y')
```

We start with the two-headed paths for the variances and covariances. The first one specifies two-headed arrows from **X** and **Y** to themselves - the `to` argument is omitted - to represent the variances. This command now generates two free parameters, each with start value of 1 and lower bound of .01, but with a different label indicating that these are separate free parameters. Note that we could test whether the variances are equal by specifying a model with the same label for the two variances and comparing it with the current model. The second `mxPath` command specifies a two-headed arrow from **X** to **Y** for the covariance, which is also assigned 'free' and given a start value of .2 and a label.

OpenMx Code

```
expVars <- mxPath( from=c("X", "Y"), arrows=2,
                  free=TRUE, values=1, lbound=.01, labels=c("varX", "varY") )
expCovs <- mxPath( from="X", to="Y", arrows=2,
                  free=TRUE, values=.2, lbound=.01, labels="covXY" )
```

The resulting `MxPath` objects 'expVars' and 'expCovs' are as follows:

```
> mxPath( from=c("X", "Y"), arrows=2,
          free=TRUE, values=1, lbound=.01, labels=c("varX", "varY") )
mxPath
 $from: 'X' and 'Y'
 $to:  'X' and 'Y'
 $arrows: 2
 $values: 1
 $free:  TRUE
 $labels: varX varY
 $lbound: 0.01
 $ubound: NA
> mxPath( from="X", to="Y", arrows=2,
          free=TRUE, values=.2, lbound=.01, labels="covXY" )
mxPath
 $from: 'X'
 $to:  'Y'
 $arrows: 2
 $values: 0.2
 $free:  TRUE
 $labels: covXY
 $lbound: 0.01
 $ubound: NA
```

When observed means are included in addition to the observed covariance matrix, as is necessary when fitting to raw data, we add an `mxPath` command with single-headed arrows from one to the variables to represent the two means.

OpenMx Code

```
expMeans <- mxPath( from="one", to=c("X", "Y"), arrows=1,
                   free=TRUE, values=.01, labels=c("meanX", "meanY") )
```

The "one" argument in the `from` argument is used exclusively for means objects, here called *expMeans*.

```
> mxPath( from="one", to=c("X", "Y"), arrows=1,
          free=TRUE, values=.01, labels=c("meanX","meanY") )
mxPath
$from: 'one'
$to: 'X' and 'Y'
$arrows: 1
$values: 0.01
$free: TRUE
$labels: meanX meanY
$lbound: NA
$subound: NA
```

To fit this bivariate model to the simulated data, we have to combine the data and model statements in a MxModel objects.

OpenMx Code

```
bivSatModel1 <- mxModel("bivSat1", manifestVars=selVars, obsBivData,
                       expVars, expCovs, expMeans, type="RAM" )
bivSatFit1 <- mxRun(bivSatModel1)
bivSatSumm1 <- summary(bivSatFit1)
```

As you can see below, the maximum likelihood (ML) estimates are very close to the summary statistics of the simulated data.

```
> bivSatSumm1
data:
$bivSat1.data
      X      Y
Min. :-3.296159 Min. :-2.942561
1st Qu.: -0.596177 1st Qu.: -0.633711
Median :-0.010538 Median :-0.004139
Mean :-0.004884 Mean : 0.032116
3rd Qu.: 0.598326 3rd Qu.: 0.739236
Max. : 4.006771 Max. : 4.173841

free parameters:
  name matrix row col Estimate Std.Error Std.Estimate Std.SE lbound ubound
1 varX S X X 0.993537344 0.04443221 1.0000000 0.04472123 0.01
2 covXY S X Y 0.481348846 0.03513471 0.4806856 0.03508630 0.01
3 varY S Y Y 1.009283953 0.04513849 1.0000000 0.04472328 0.01
4 meanX M 1 X -0.004884421 0.03152067 NA NA
5 meanY M 1 Y 0.032116307 0.03177008 NA NA

observed statistics: 0
estimated parameters: 5
degrees of freedom: -5
-2 log likelihood: 5415.772
saturated -2 log likelihood: -2
number of observations: 1000
chi-square: 5417.772
p: NaN
Information Criteria:
  df Penalty Parameters Penalty Sample-Size Adjusted
AIC: 5425.772 5425.772 NA
BIC: 5450.311 5450.311 5434.431
```

Matrix Method

If we use matrices instead of paths to specify the bivariate model, we need to generate matrices to represent the expected covariance matrix and the means. The `mxMatrix` command for the expected covariance matrix now specifies a **2x2** symmetric matrix with all elements free. Start values have to be given only for the unique elements (diagonal elements plus upper or lower diagonal elements), in this case we provide a list with values of 1 for the variances and 0.5 for the covariance.

OpenMx Code

```
expCovM <- mxMatrix( type="Symm", nrow=2, ncol=2,
  free=TRUE, values=c(1,0.5,1),
  labels=c('V1','Cov','V2'), name="expCov" )
```

By specifying labels, we can tell that the two covariance elements, `expCovM[1,2]` and `expCovM[2,1]` are constrained to be equal - implied by the fact that the label is the same. This of course automatically happens when you specify the matrix to be symmetric.

```
> expCovM
SymmMatrix 'expCov'

$labels
  [,1] [,2]
[1,] "V1" "Cov"
[2,] "Cov" "V2"

$values
  [,1] [,2]
[1,]  1.0  0.5
[2,]  0.5  1.0

$free
  [,1] [,2]
[1,] TRUE TRUE
[2,] TRUE TRUE

$lbound: No lower bounds assigned.

$ubound: No upper bounds assigned.
```

When fitting to raw data, we also use a `mxMatrix` command to specify the expected means as **1x2** row vector with two free parameters, each given a 0 start value.

OpenMx Code

```
expMeanM <- mxMatrix( type="Full", nrow=1, ncol=2,
  free=TRUE, values=c(0,0), labels=c('M1','M2'), name="expMean" )
```

Similarly to above, the elements in this matrix can also be given labels, although this is entirely optional for both matrices. However, as soon as we want to change the model to e.g. test equality of means or variances, the most efficient way to do this is by using labels. Given fitting alternative models to test hypotheses is very common, we highly recommend to use labels at all times. Note that we truncated the output below as no bounds had been assigned.

```
> expMeanM
FullMatrix 'expMean'

$labels
  [,1] [,2]
[1,] "M1" "M2"
```

```
$values
      [,1] [,2]
[1,]    0    0

$free
      [,1] [,2]
[1,]  TRUE  TRUE
```

So far, we have specified the expected covariance matrix directly as a symmetric matrix. However, this may cause optimization problems as the matrix could become not positive-definite which would prevent the likelihood to be evaluated. To overcome this problem, we can use a Cholesky decomposition of the expected covariance matrix instead, by multiplying a lower triangular matrix with its transpose. To obtain this, we use a `mxMatrix` command and define a **2x2** lower triangular matrix using `type="Lower"`, declare all elements free with 0.5 starting values. We name this matrix "Chol" and save the object as *lowerTriM*.

OpenMx Code

```
lowerTriM <- mxMatrix( type="Lower", nrow=2, ncol=2,
                      free=TRUE, values=.5, name="Chol" )
```

Given we specified the matrix as lower triangular, the start values and free assignments are only applied to the elements on the diagonal and below the diagonal.

```
> lowerTriM
LowerMatrix 'Chol'

$labels: No labels assigned.

$values
      [,1] [,2]
[1,]  0.5  0.0
[2,]  0.5  0.5

$free
      [,1] [,2]
[1,]  TRUE FALSE
[2,]  TRUE  TRUE
```

We then use an `mxAlgebra` command to multiply this matrix with its transpose (R function `t()`). The `mxAlgebra` command is a very useful command to apply any operation or function to matrices. It only has two arguments, the first for the `expression` you intend to generate, the second the name of the resulting matrix. Note that although the matrix object for the lower triangular matrix was saved as 'lowerTriM', the matrices in the `expression` are referred to by the name given to them within the `MxMatrix` object. This is similar to referring to the names of the expected covariance matrices and means when they are needed in the arguments of the `mxExpectationNormal` function.

OpenMx Code

```
expCovMA <- mxAlgebra( expression=Chol %**% t(Chol), name="expCov" )
```

So far, we've only specified the algebra, but not computed it yet as shown when we look at the *expCovMA* object. We need to combine all elements in an `mxModel` prior to `mxRun` ning the model to compute the algebra.

```
> expCovMA
mxAlgebra 'expCov'
$formula: Chol %**% t(Chol)
$result: (not yet computed) <0 x 0 matrix>
dimnames: NULL
```

Given we used the same names for the resulting matrices for the expected covariances and means as in the univariate example, the `mxExpectationNormal` command looks identical. Note that we have redefined `selVars` when starting the bivariate examples. When you use the piecewise style and you're running more than one job, make sure you're not accidentally using an object from a previous job, especially if you've made an error in a newly specified object with the same name.

OpenMx Code

```
expectBiv <- mxExpectationNormal( covariance="expCov", means="expMean",
                                dimnames=selVars )
```

Combining these two `mxMatrix` and the `mxAlgebra` objects with the raw data, specified in the `mxData` object 'obsBivData' created earlier and the `mxExpectationNormal` command with the appropriate arguments is all that is needed to fit a saturated bivariate model.

OpenMx Code

```
bivSatModel2 <- mxModel("bivSat2", obsBivData, lowerTriM,
                        expCovMA, expMeanM, expectBiv, funML )
bivSatFit2    <- mxRun(bivSatModel2)
bivSatSumm2   <- summary(bivSatFit2)
```

The goodness-of-fit statistics in the output from the path and matrix specification appear identical. However, in the latter model, we do not model the variances and covariance directly but parameterize them using a Cholesky decomposition.

```
> bivSatSumm2
data:
$bivSat2.data
      X                Y
Min.  :-3.296159   Min.  :-2.942561
1st Qu.: -0.596177 1st Qu.: -0.633711
Median :-0.010538 Median :-0.004139
Mean   :-0.004884 Mean   : 0.032116
3rd Qu.: 0.598326 3rd Qu.: 0.739236
Max.   : 4.006771  Max.   : 4.173841

free parameters:
      name matrix row col Estimate Std.Error lbound ubound
1 bivSat2.Chol[1,1] Chol  1  1  0.996763911 0.02228823
2 bivSat2.Chol[2,1] Chol  2  1  0.482912544 0.02987720
3 bivSat2.Chol[2,2] Chol  2  2  0.880954091 0.01969863
4                M1 expMean  1  X -0.004883967 0.03151918
5                M2 expMean  1  Y  0.032116277 0.03176869

observed statistics: 2000
estimated parameters: 5
degrees of freedom: 1995
-2 log likelihood: 5415.772
saturated -2 log likelihood: -2
number of observations: 1000
chi-square: 5417.772
p: 2.595415e-313
Information Criteria:
      df Penalty Parameters Penalty Sample-Size Adjusted
AIC: 1425.772                5425.772                NA
BIC: -8365.200                5450.311                5434.431
```

We can obtain the predicted variances and covariances by printing the `expCov` matrix which can be done with the `mxEval` command - either by recalculating or by just printing the calculated algebra, or by grabbing the predicted

covariance matrix from the fitted object *bivSatFit2*

OpenMx Code

```
mxEval(Chol %*% t(Chol), bivSatFit2 )
mxEval(expCov, bivSatFit2 )
bivSatFit2$expCov$result
```

So far, we have presented the bivariate model (path or matrix method) using the piecewise approach. As a result, we end up with a series of OpenMx objects, each of which we can check for syntax correctness. As such, this is a great way to build new models. An alternative approach is to start the `mxModel` with one argument, and then add another argument step by step. We will show the various steps of building the bivariate model with matrices (and algebras).

Here, we simply repeat all the lines that make up the model.

OpenMx Code

```
obsBivData <- mxData( observed=bivData, type="raw" )
expMeanM <- mxMatrix( type="Full", nrow=1, ncol=2,
                      free=TRUE, values=0, labels=c('M1','M2'), name="expMean" )
lowerTriM <- mxMatrix( type="Lower", nrow=2, ncol=2,
                      free=TRUE, values=.5, name="Chol" )
expCovMA <- mxAlgebra( expression=Chol %*% t(Chol), name="expCov" )
expectBiv <- mxExpectationNormal( covariance="expCov", means="expMean",
                                  dimnames=selVars )

funML <- mxFitFunctionML()
bivSatModel2 <- mxModel("bivSat2", obsBivData, lowerTriM,
                      expCovMA, expMeanM, expectBiv, funML )
bivSatFit2 <- mxRun(bivSatModel2)
bivSatSumm2 <- summary(bivSatFit2)
```

Stepwise Style

Looking back at the `MxModel` we just built (*bivSatModel2*), the first argument after the name (in quotes) was the `MxData` object. Let's now build a new model that just has a new name and the data object to start, specified from scratch - assuming we had not built the object before. Note we need to close both the `mxData` command which resides within the `mxModel` command. We can execute it in R, to check for syntax errors.

OpenMx Code

```
bivSatModel3 <- mxModel("bivSat3", mxData( observed=bivData, type="raw" ) )
```

If it checks out to be syntactically correct, we can add another argument, i.e. the `mxMatrix` command to define the lower triangular matrix. Given we now want to build upon the previous model, we use that as the first argument (without quotes). As the previous model already has a name argument we don't need to include that and can go straight to the new argument.

OpenMx Code

```
bivSatModel3 <- mxModel(bivSatModel3,
                      mxMatrix( type="Lower", nrow=2, ncol=2,
                                free=TRUE, values=.5, name="Chol" ) )
```

Note that we used the same name for the `MxModel` object to be generated, thus it will overwrite the previous one. One might choose a new name if uncertain about the syntax of the new model, to avoid having to rerun the previous step to correct the original model. As everyone checks out OK after step two, let us add another argument, this time the `mxAlgebra` object for the expected covariance matrix.

OpenMx Code


```
bivSatModel3 <- mxModel(bivSatModel3,
                        mxAlgebra( expression=Chol %*% t(Chol), name="expCov" ) )
```

As everything still appears OK, we continue to add arguments. It's not necessary to do them one at the time, but if you're just learning to build a model, it might be the safest bet. Next, we add the `mxMatrix` command for the expected means.

OpenMx Code

```
bivSatModel3 <- mxModel(bivSatModel3,
                        mxMatrix( type="Full", nrow=1, ncol=2,
                                free=TRUE, values=0, name="expMean" ) )
```

The only argument left to add is the `mxExpectationNormal` and the `mxFitFunctionML()` to specify what function to use on test the fit between covariances and means predicted by the observed data and those expected by the model.

OpenMx Code

```
bivSatModel3 <- mxModel(bivSatModel3,
                        mxExpectationNormal( covariance="expCov", means="expMean",
                                             dimnames=selVars ) )
bivSatModel3 <- mxModel(bivSatModel3, mxFitFunctionML() )
```

Now that we have the complete model built, we can evaluate it using the `mxRun` command.

OpenMx Code

```
bivSatFit3 <- mxRun(bivSatModel3)
bivSatSumm3 <- summary(bivSatFit3)
```

You can verify for yourself that the results (goodness-of-fit statistics and parameter estimates) are entirely equivalent between this stepwise approach and the piecewise approach.

We here combine all the separate lines to see the full picture.

OpenMx Code

```
bivSatModel3 <- mxModel("bivSat3", mxData( observed=bivData, type="raw" ) )
bivSatModel3 <- mxModel(bivSatModel3,
                        mxMatrix( type="Lower", nrow=2, ncol=2,
                                free=TRUE, values=.5, name="Chol" ) )
bivSatModel3 <- mxModel(bivSatModel3,
                        mxAlgebra( expression=Chol %*% t(Chol), name="expCov" ) )
bivSatModel3 <- mxModel(bivSatModel3,
                        mxMatrix( type="Full", nrow=1, ncol=2,
                                free=TRUE, values=0, name="expMean" ) )
bivSatModel3 <- mxModel(bivSatModel3,
                        mxExpectationNormal( covariance="expCov", means="expMean",
                                             dimnames=selVars ) )
bivSatFit3 <- mxRun(bivSatModel3)
bivSatSumm3 <- summary(bivSatFit3)
```

Classic Style

If you are fairly confident that you can specify each of the arguments of the model syntactically correct, there is no need to build the objects one by one and combine them, as we did using the piecewise approach, or to build models step by step by adding one argument at a time, as we did in the stepwise approach. Instead, we can generate the complete syntax at once. As a result, this will be the most concise way to write and run models. The disadvantage,

however, is that if you make changes to the model, and they include a syntax error, it is less evident to find the error. The advantage, on the other hand, is that some models do not require any changes, but maybe you just want to apply them to different data sets in which case this approach works fine.

Here, we present the complete bivariate saturated model, with each argument printed on a different line for clarity of presentation. To not overwrite the previous objects, we'll start with a new name for the MxModel object. Remember that arguments have to be separated by comma's, and that we need a double bracket after the last argument to close both that argument and the full model.

OpenMx Code

```
bivSatModel4 <- mxModel("bivSat4",
  mxData( observed=bivData, type="raw" ),
  mxMatrix( type="Lower", nrow=2, ncol=2,
    free=TRUE, values=.5, name="Chol" ),
  mxAlgebra( expression=Chol %**% t(Chol), name="expCov" ),
  mxMatrix( type="Full", nrow=1, ncol=2,
    free=TRUE, values=c(0,0), name="expMean" ),
  mxExpectationNormal( covariance="expCov", means="expMean",
    dimnames=selVars )

  mxFitFunctionML() )
bivSatFit4 <- mxRun(bivSatModel4)
bivSatSumm4 <- summary(bivSatFit4)
```

Again, as you might expect by now, the output of this model run will be identical to that of both the piecewise and the stepwise approach. Given their equivalence, it is really up to the OpenMx user to decide which method (path or matrix) and which approach (piecewise, stepwise or classic) is preferred. It is also not necessary to pick just one of these approaches, as they can be 'mixed and matched'. For didactic purposes, we recommend the piecewise approach, which we will use in the majority of this documentation. We will, however, provide some parallel classic scripts. Furthermore, given some people do better with path diagrams and others with matrix algebra, we present some models both ways, in so far that this is doable.

The following sections describe OpenMx examples in detail beginning with regression, factor analysis, time series analysis, multiple group models, including twin models, and analysis using definition variables. Each is presented in both path and matrix styles and where relevant, contrasting data input from covariance matrices versus raw data input are also illustrated. Additional examples will be added as they are implemented in OpenMx.

EXAMPLES, PATH SPECIFICATION

2.1 Regression, Path Specification

This example will show how regression can be carried out from a path-centric structural modeling perspective. This example is in three parts; a simple regression, a multiple regression, and multivariate regression. There are two versions of each example available; one where the data is supplied as a covariance matrix and vector of means, and one with raw data. These examples are available in the following files:

- http://openmx.psyc.virginia.edu/svn/trunk/demo/SimpleRegression_PathCov.R
- http://openmx.psyc.virginia.edu/svn/trunk/demo/SimpleRegression_PathRaw.R
- http://openmx.psyc.virginia.edu/svn/trunk/demo/MultipleRegression_PathCov.R
- http://openmx.psyc.virginia.edu/svn/trunk/demo/MultipleRegression_PathRaw.R
- http://openmx.psyc.virginia.edu/svn/trunk/demo/MultivariateRegression_PathCov.R
- http://openmx.psyc.virginia.edu/svn/trunk/demo/MultivariateRegression_PathRaw.R

Parallel versions of these examples, using matrix specification of models rather than paths, can be found here:

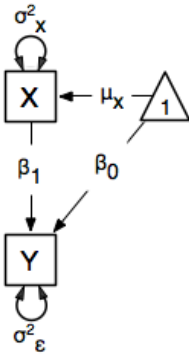
- http://openmx.psyc.virginia.edu/svn/trunk/demo/SimpleRegression_MatrixCov.R
- http://openmx.psyc.virginia.edu/svn/trunk/demo/SimpleRegression_MatrixRaw.R
- http://openmx.psyc.virginia.edu/svn/trunk/demo/MultipleRegression_MatrixCov.R
- http://openmx.psyc.virginia.edu/svn/trunk/demo/MultipleRegression_MatrixRaw.R
- http://openmx.psyc.virginia.edu/svn/trunk/demo/MultivariateRegression_MatrixCov.R
- http://openmx.psyc.virginia.edu/svn/trunk/demo/MultivariateRegression_MatrixRaw.R

and are discussed here (*Regression, Matrix Specification*).

2.1.1 Simple Regression

We begin with a single dependent variable (y) and a single independent variable (x). The relationship between these variables takes the following form:

$$y = \beta_0 + \beta_1 * x + \epsilon$$



In this model, the mean of y is dependent on both regression coefficients (and by extension, the mean of x). The variance of y depends on both the residual variance (σ_ϵ^2) and the product of the regression slope (β_1) and the variance of x (σ_x^2). This model contains five parameters from a structural modeling perspective β_0 , β_1 , σ_ϵ^2 , and the mean and variance of x , μ_x and σ_x^2 . We are modeling a covariance matrix with three degrees of freedom (two variances and one covariance) and a means vector with two degrees of freedom (two means). Because the model has as many parameters (5) as the data have degrees of freedom, this model is fully saturated.

Data

Our first step to running this model is to include the data to be analyzed. The data must first be placed in a variable or object. For raw data, this can be done with the `read.table` function. The data provided has a header row, indicating the names of the variables.

```
data(myRegDataRow)
```

The names of the variables provided by the header row can be displayed with the `names()` function.

```
names(myRegDataRow)
```

As you can see, our data has four variables in it. However, our model only contains two variables, x and y . To use only them, we will select only the variables we want and place them back into our data object. That can be done with the R code below.

```
SimpleDataRow <- myRegDataRow[,c("x", "y")]
```

For covariance data, we do something very similar. We create an object to house our data. Instead of reading in raw data from an external file, we can include a covariance matrix. This requires the `matrix()` function, which needs to know what values are in the covariance matrix, how big it is, and what the row and column names are. As our model also references means, we will include a vector of means in a separate object. Data is selected in the same way as before.

```
myRegDataCov <- matrix(
  c(0.808, -0.110, 0.089, 0.361,
    -0.110, 1.116, 0.539, 0.289,
    0.089, 0.539, 0.933, 0.312,
    0.361, 0.289, 0.312, 0.836),
  nrow=4, dimnames=list(c("w", "x", "y", "z"), c("w", "x", "y", "z")) )
```

```
SimpleDataCov <- myRegDataCov[c("x", "y"), c("x", "y")]
```

```
myRegDataMeans <- c(2.582, 0.054, 2.574, 4.061)
names(myRegDataMeans) <- c("w", "x", "y", "z")
```

```
SimpleDataMeans <- myRegDataMeans[c(2, 3)]
```

Model Specification

The following code contains all of the components of our model. Before running a model, the OpenMx library must be loaded into R using either the `require()` or `library()` function. All objects required for estimation (data, paths, and a model type) are included in their own arguments or functions. This code uses the `mxModel` function to create an `MxModel` object, which we will then run. Note the difference in capitalization for the first letter.

```
require(OpenMx)

dataRaw      <- mxData( observed=SimpleDataRaw,  type="raw" )
# variance paths
varPaths     <- mxPath( from=c("x","y"), arrows=2,
                        free=TRUE, values = c(1,1), labels=c("varx","residual") )
# regression weights
regPaths     <- mxPath( from="x", to="y", arrows=1,
                        free=TRUE, values=1, labels="beta1" )
# means and intercepts
means       <- mxPath( from="one", to=c("x","y"), arrows=1,
                        free=TRUE, values=c(1,1), labels=c("meanx","beta0") )

uniRegModel  <- mxModel(model="Simple Regression Path Specification", type="RAM",
                        dataRaw, manifestVars=c("x","y"), varPaths, regPaths, means)
```

This `mxModel` function can be split into several parts. First, we give the model a title. The first argument in an `mxModel` function has a special function. If an object or variable containing an `MxModel` object is placed here, then `mxModel` adds to or removes pieces from that model. If a character string (as indicated by double quotes) is placed first, then that becomes the name of the model. Models may also be named by including a `name` argument. This model is named “Simple Regression Path Specification”.

The next part of our code is the `type` argument. By setting `type="RAM"`, we tell OpenMx that we are specifying a RAM model for covariances and means, and that we are doing so using the `mxPath` function. With this setting, OpenMx uses the specified paths to define the expected covariance and means of our data.

The third component of our code creates an `MxData` object. The example above, reproduced here in parts, first references the object where our data is, then uses the `type` argument to specify that this is raw data.

```
dataRaw      <- mxData( observed=SimpleDataRaw,  type="raw" )
```

If we were to use a covariance matrix and vector of means as data, we would replace the existing `mxData` function with this one:

```
dataCov      <- mxData( observed=SimpleDataCov,  type="cov", numObs=100,
                        means=SimpleDataMeans )
```

We must also specify the list of observed variables using the `manifestVars` argument. In the code below, we include a list of both observed variables, `x` and `y`.

```
manifestVars=c("x", "y")
```

The last features of our code are three `mxPath` functions, which describe the relationships between variables. Each function first describes the variables involved in any path. Paths go from the variables listed in the `from` argument, and to the variables listed in the `to` argument. When `arrows` is set to 1, then one-headed arrows (regressions) are drawn from the `from` variables to the `to` variables. When `arrows` is set to 2, two headed arrows (variances or covariances) are drawn from the `from` variables to the `to` variables. If `arrows` is set to 2, then the `to` argument may be omitted to draw paths both to and from the list of `from` variables.

The variance terms of our model (that is, the variance of `x` and the residual variance of `y`) are created with the following `mxPath` function. We want two headed arrows from `x` to `x`, and from `y` to `y`. These paths should be freely estimated (`free=TRUE`), have starting values of 1, and be labeled `"varx"` and `"residual"`, respectively.

```
# variance paths
varPaths    <- mxPath( from=c("x", "y"), arrows=2,
                       free=TRUE, values = c(1,1), labels=c("varx", "residual") )
```

The regression term of our model (that is, the regression of y on x) is created with the following `mxPath` function. We want a single one-headed arrow from x to y . This path should be freely estimated (`free=TRUE`), have a starting value of 1, and be labeled "beta1".

```
# regression weights
regPaths    <- mxPath( from="x", to="y", arrows=1,
                       free=TRUE, values=1, labels="beta1" )
```

We also need means and intercepts in our model. Exogenous or independent variables have means, while endogenous or dependent variables have intercepts. These can be included by regressing both x and y on a constant, which can be referred to in OpenMx by "one". The intercept terms of our model are created with the following `mxPath` function. We want single one-headed arrows from the constant to both x and y . These paths should be freely estimated (`free=TRUE`), have a starting value of 1, and be labeled `meanx` and "beta1", respectively.

```
# means and intercepts
means      <- mxPath( from="one", to=c("x", "y"), arrows=1,
                       free=TRUE, values=c(1,1), labels=c("meanx", "beta0") )
```

Our model is now complete!

Model Fitting

We've created an `MxModel` object, and placed it into an object or variable named `uniRegModel`. We can run this model by using the `mxRun` function, and the output is placed in the object `uniRegFit` in the code below. We then view the output by referencing the `output` slot, as shown here.

```
uniRegFit <- mxRun(uniRegModel)
```

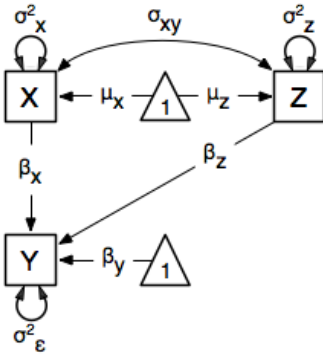
The `output` slot contains a great deal of information, including parameter estimates and information about the matrix operations underlying our model. A more parsimonious report on the results of our model can be viewed using the `summary` function, as shown here.

```
uniRegFit$output
summary(uniRegFit)
```

2.1.2 Multiple Regression

In the next part of this demonstration, we move to multiple regression. The regression equation for our model looks like this:

$$y = \beta_0 + \beta_x * x + \beta_z * z + \epsilon$$



Our dependent variable y is now predicted from two independent variables, x and z . Our model includes 3 regression parameters (β_0 , β_x , β_z), a residual variance (σ_ϵ^2) and the observed means, variances and covariance of x and z , for a total of 9 parameters. Just as with our simple regression, this model is fully saturated.

We prepare our data the same way as before, selecting three variables instead of two.

```
MultipleDataRow <- myRegDataRow[,c("x", "y", "z")]
MultipleDataCov <- myRegDataCov[c("x", "y", "z"), c("x", "y", "z")]
MultipleDataMeans <- myRegDataMeans[c(2, 3, 4)]
```

Now, we can move on to our code. It is identical in structure to our simple regression code, but contains additional paths for the new parts of our model.

```
require(OpenMx)

dataCov <- mxData( observed=MultipleDataCov, type="cov", numObs=100,
                  means=MultipleDataMeans )

# variance paths
varPaths <- mxPath( from=c("x", "y", "z"), arrows=2,
                   free=TRUE, values = c(1,1,1), labels=c("varx", "res", "varz") )

# covariance of x and z
covPaths <- mxPath( from="x", to="z", arrows=2,
                   free=TRUE, values=0.5, labels="covxz" )

# regression weights
regPaths <- mxPath( from=c("x", "z"), to="y", arrows=1,
                   free=TRUE, values=1, labels=c("betax", "betaz") )

# means and intercepts
means <- mxPath( from="one", to=c("x", "y", "z"), arrows=1,
                free=TRUE, values=c(1,1), labels=c("meanx", "beta0", "meanz") )

multiRegModel <- mxModel("Multiple Regression Path Specification", type="RAM",
                        dataCov, manifestVars=c("x", "y", "z"),
                        varPaths, covPaths, regPaths, means)

multiRegFit <- mxRun(multiRegModel)

multiRegFit$output
summary(multiRegFit)
```

The first bit of our code should look very familiar. `require(OpenMx)` makes sure the OpenMx library is loaded into R. This only needs to be done at the first model of any R session. The `type="RAM"` argument is identical. The `mxData` function references our multiple regression data, which contains one more variable than our simple regression data. Similarly, our `manifestVars` list contains an extra label, "z".

The `mxPath` functions work just as before. Our first function defines the variances of our variables. Whereas our simple regression included just the variance of x and the residual variance of y , our multiple regression includes the variance of z as well.

Our second `mxPath` function specifies a two-headed arrow (covariance) between x and z . We've omitted the `to` argument from two-headed arrows up until now, as we have only required variances. Covariances may be specified by using both the `from` and `to` arguments. This path is freely estimated, has a starting value of 0.5, and is labeled `COVXZ`.

```
# covariance of x and z
covPaths    <- mxPath( from="x", to="z", arrows=2,
                       free=TRUE, values=0.5, labels="covxz" )
```

The third and fourth `mxPath` functions mirror the second and third `mxPath` functions from our simple regression, defining the regressions of y on both x and z as well as the means and intercepts of our model.

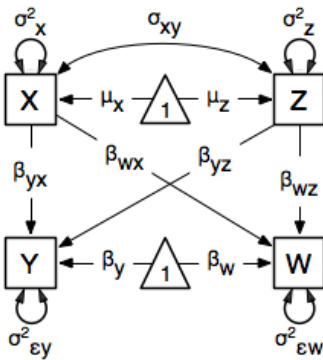
The model is run and output is viewed just as before, using the `mxRun` function, and `@output` and the `summary` function to run, view and summarize the completed model.

2.1.3 Multivariate Regression

The structural modeling approach allows for the inclusion of not only multiple independent variables (i.e., multiple regression), but multiple dependent variables as well (i.e., multivariate regression). Versions of multivariate regression are sometimes fit under the heading of path analysis. This model will extend the simple and multiple regression frameworks we've discussed above, adding a second dependent variable w .

$$y = \beta_y + \beta_{yx} * x + \beta_{yz} * z + \epsilon_y$$

$$w = \beta_w + \beta_{wx} * x + \beta_{wz} * z + \epsilon_w$$



We now have twice as many regression parameters, a second residual variance, and the same means, variances and covariances of our independent variables. As with all of our other examples, this is a fully saturated model.

Data import for this analysis will actually be slightly simpler than before. The data we imported for the previous examples contains only the four variables we need for this model. We can use `myRegDataRaw`, `myRegDataCov`, and `myRegDataMeans` in our models.

```
data(myRegDataRaw)

myRegDataCov <- matrix(
  c(0.808,-0.110, 0.089, 0.361,
    -0.110, 1.116, 0.539, 0.289,
    0.089, 0.539, 0.933, 0.312,
    0.361, 0.289, 0.312, 0.836),
  nrow=4, dimnames=list( c("w", "x", "y", "z"), c("w", "x", "y", "z") )
```



```
)

myRegDataMeans <- c(2.582, 0.054, 2.574, 4.061)
```

Our code should look very similar to our previous two models. It includes the same `type` argument, `mxData` function, and `manifestVars` argument as previous models, with a different version of the data and additional variables in the latter two components.

```
dataRaw      <- mxData( observed=myRegDataRaw, type="raw" )
# variance paths
varPaths     <- mxPath( from=c("w", "x", "y", "z"), arrows=2,
                        free=TRUE, values=1,
                        labels=c("residualw", "varx", "residualy", "varz") )
# covariance of x and z
covPaths     <- mxPath( from="x", to="z", arrows=2,
                        free=TRUE, values=0.5, labels="covxz" )
# regression weights for y
regPathsY    <- mxPath( from=c("x", "z"), to="y", arrows=1,
                        free=TRUE, values=1, labels=c("betayx", "betayz") )
# regression weights for w
regPathsW    <- mxPath( from=c("x", "z"), to="w", arrows=1,
                        free=TRUE, values=1, labels=c("betawx", "betawz") )
# means and intercepts
means       <- mxPath( from="one", to=c("w", "x", "y", "z"), arrows=1,
                        free=TRUE, values=c(1, 1),
                        labels=c("betaw", "meanx", "betay", "meanz") )

multivariateRegModel <- mxModel("MultiVariate Regression Path Specification",
                                type="RAM", dataRaw, manifestVars=c("w", "x", "y", "z"),
                                varPaths, covPaths, regPathsY, regPathsW, means )

multivariateRegFit <- mxRun(multivariateRegModel)

multivariateRegFit$output
summary(multivariateRegFit)
```

The only additional components to our `mxPath` functions are the inclusion of the w variable and the additional set of regression coefficients for w . Running the model and viewing output works exactly as before.

These models may also be specified using matrices instead of paths. See *Regression, Matrix Specification* for matrix specification of these models.

2.2 Factor Analysis, Path Specification

This example will demonstrate latent variable modeling via the common factor model using path-centric model specification. We'll walk through two applications of this approach: one with a single latent variable, and one with two latent variables. As with previous examples, these two applications are split into four files, with each application represented separately with raw and covariance data. These examples can be found in the following files:

- http://openmx.psyc.virginia.edu/svn/trunk/demo/OneFactorModel_PathCov.R
- http://openmx.psyc.virginia.edu/svn/trunk/demo/OneFactorModel_PathRaw.R
- http://openmx.psyc.virginia.edu/svn/trunk/demo/TwoFactorModel_PathCov.R
- http://openmx.psyc.virginia.edu/svn/trunk/demo/TwoFactorModel_PathRaw.R

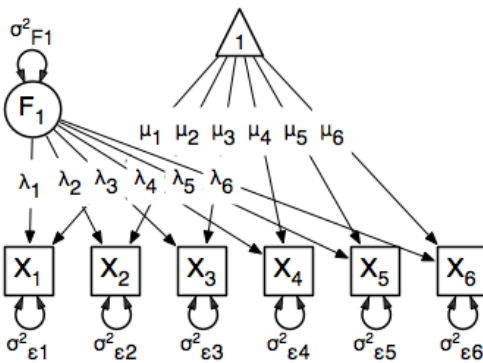
Parallel versions of this example, using matrix specification of models rather than paths, can be found here:

- http://openmx.psyc.virginia.edu/svn/trunk/demo/OneFactorModel_MatrixCov.R
- http://openmx.psyc.virginia.edu/svn/trunk/demo/OneFactorModel_MatrixRaw.R
- http://openmx.psyc.virginia.edu/svn/trunk/demo/TwoFactorModel_MatrixCov.R
- http://openmx.psyc.virginia.edu/svn/trunk/demo/TwoFactorModel_MatrixRaw.R

2.2.1 Common Factor Model

The common factor model is a method for modeling the relationships between observed variables believed to measure or indicate the same latent variable. While there are a number of exploratory approaches to extracting latent factor(s), this example uses structural modeling to fit confirmatory factor models. The model for any person and path diagram of the common factor model for a set of variables x_1-x_6 are given below.

$$x_{ij} = \mu_j + \lambda_j * \eta_i + \epsilon_{ij}$$



While 19 parameters are displayed in the equation and path diagram above (6 manifest variances, six manifest means, six factor loadings and one factor variance), we must constrain either the factor variance or one factor loading to a constant to identify the model and scale the latent variable. As such, this model contains 18 parameters. Unlike the manifest variable examples we've run up until now, this model is not fully saturated. The means and covariance matrix for six observed variables contain 27 degrees of freedom, and thus our model contains 9 degrees of freedom.

Data

Our first step to running this model is to include the data to be analyzed. The data for this example contain nine variables. We'll select the six we want for this model using the selection operators used in previous examples. Both raw and covariance data are included below, but only one is required for any model.

```
data(myFADataRaw)
names(myFADataRaw)

oneFactorRaw <- myFADataRaw[,c("x1", "x2", "x3", "x4", "x5", "x6")]

myFADataCov <- matrix(
  c(0.997, 0.642, 0.611, 0.672, 0.637, 0.677, 0.342, 0.299, 0.337,
    0.642, 1.025, 0.608, 0.668, 0.643, 0.676, 0.273, 0.282, 0.287,
    0.611, 0.608, 0.984, 0.633, 0.657, 0.626, 0.286, 0.287, 0.264,
    0.672, 0.668, 0.633, 1.003, 0.676, 0.665, 0.330, 0.290, 0.274,
    0.637, 0.643, 0.657, 0.676, 1.028, 0.654, 0.328, 0.317, 0.331,
    0.677, 0.676, 0.626, 0.665, 0.654, 1.020, 0.323, 0.341, 0.349,
    0.342, 0.273, 0.286, 0.330, 0.328, 0.323, 0.993, 0.472, 0.467,
    0.299, 0.282, 0.287, 0.290, 0.317, 0.341, 0.472, 0.978, 0.507,
```

```

      0.337, 0.287, 0.264, 0.274, 0.331, 0.349, 0.467, 0.507, 1.059), nrow=9,
dimnames=list( c("x1", "x2", "x3", "x4", "x5", "x6", "y1", "y2", "y3"),
               c("x1", "x2", "x3", "x4", "x5", "x6", "y1", "y2", "y3"))
)

oneFactorCov <- myFADataCov[c("x1", "x2", "x3", "x4", "x5", "x6"),
                           c("x1", "x2", "x3", "x4", "x5", "x6")]

myFADataMeans <- c(2.988, 3.011, 2.986, 3.053, 3.016, 3.010, 2.955, 2.956, 2.967)
names(myFADataMeans) <- c("x1", "x2", "x3", "x4", "x5", "x6", "y1", "y2", "y3")

oneFactorMeans <- myFADataMeans[1:6]

```

Model Specification

Creating a path-centric factor model will use many of the same functions and arguments used in previous path-centric examples. However, the inclusion of latent variables adds a few extra pieces to our model. Before running a model, the OpenMx library must be loaded into R using either the `require()` or `library()` function. All objects required for estimation (data, paths, and a model type) are included in their own arguments or functions. This code uses the `mxModel` function to create an `MxModel` object, which we will then run.

```

require(OpenMx)

dataRaw      <- mxData( observed=myFADataRaw, type="raw" )
# residual variances
resVars      <- mxPath( from=c("x1", "x2", "x3", "x4", "x5", "x6"), arrows=2,
                       free=TRUE, values=c(1,1,1,1,1,1),
                       labels=c("e1", "e2", "e3", "e4", "e5", "e6") )

# latent variance
latVar       <- mxPath( from="F1", arrows=2,
                       free=TRUE, values=1, labels = "varF1" )

# factor loadings
facLoads     <- mxPath( from="F1", to=c("x1", "x2", "x3", "x4", "x5", "x6"), arrows=1,
                       free=c(FALSE, TRUE, TRUE, TRUE, TRUE, TRUE), values=c(1,1,1,1,1,1),
                       labels =c("l1", "l2", "l3", "l4", "l5", "l6") )

# means
means        <- mxPath( from="one", to=c("x1", "x2", "x3", "x4", "x5", "x6", "F1"), arrows=1,
                       free=c(T, T, T, T, T, T, FALSE), values=c(1,1,1,1,1,1,0),
                       labels =c("meanx1", "meanx2", "meanx3",
                                   "meanx4", "meanx5", "meanx6", NA) )

oneFactorModel <- mxModel("Common Factor Model Path Specification", type="RAM",
                          manifestVars=c("x1", "x2", "x3", "x4", "x5", "x6"), latentVars="F1",
                          dataRaw, resVars, latVar, facLoads, means)

```

As with previous examples, this model begins with a name (“Common Factor Model Path Specification”) for the model and a `type="RAM"` argument. The name for the model may be omitted, or may be specified in any other place in the model using the `name` argument. Including `type="RAM"` allows the `mxModel` function to interpret the `mxPath` functions that follow and turn those paths into an expected covariance matrix and means vector for the ensuing data. The `mxData` function works just as in previous examples, and the following raw data specification is included in the code:

```
dataRaw      <- mxData( observed=myFADataRaw, type="raw" )
```

can be replaced with a covariance matrix and means, like so:

```
dataCov      <- mxData( observed=oneFactorCov, type="cov", numObs=500,
                        means=oneFactorMeans )
```

The first departure from our previous examples can be found in the addition of the `latentVars` argument after the `manifestVars` argument. The `manifestVars` argument includes the six variables in our observed data. The `latentVars` argument provides names for the latent variables (here just one), so that it may be referenced in `mxPath` functions.

```
manifestVars=c("x1", "x2", "x3", "x4", "x5", "x6")
latentVars="F1"
```

Our model is defined by four `mxPath` functions. The first defines the residual variance terms for our six observed variables. The `to` argument is not required, as we are specifying two headed arrows both from and to the same variables, as specified in the `from` argument. These six variances are all freely estimated, have starting values of 1, and are labeled `e1` through `e6`.

```
# residual variances
resVars      <- mxPath( from=c("x1", "x2", "x3", "x4", "x5", "x6"), arrows=2,
                        free=TRUE, values=c(1, 1, 1, 1, 1, 1),
                        labels=c("e1", "e2", "e3", "e4", "e5", "e6") )
```

We also must specify the variance of our latent variable. This code is identical to our residual variance code above, with the latent variable "F1" replacing our six manifest variables. Alternatively, both could be combined.

```
# latent variance
latVar       <- mxPath( from="F1", arrows=2,
                        free=TRUE, values=1, labels = "varF1" )
```

Next come the factor loadings. These are specified as asymmetric paths (regressions) of the manifest variables on the latent variable "F1". As we have to scale the latent variable, the first factor loading has been given a fixed value of one by setting the first elements of the `free` and `values` arguments to `FALSE` and 1, respectively. Alternatively, the latent variable could have been scaled by fixing the factor variance to 1 in the previous `mxPath` function and freely estimating all factor loadings. The five factor loadings that are freely estimated are all given starting values of 1 and labels `l2` through `l6`.

```
# factor loadings
facLoads     <- mxPath( from="F1", to=c("x1", "x2", "x3", "x4", "x5", "x6"), arrows=1,
                        free=c(FALSE, TRUE, TRUE, TRUE, TRUE, TRUE), values=c(1, 1, 1, 1, 1, 1),
                        labels =c("l1", "l2", "l3", "l4", "l5", "l6") )
```

Lastly, we must specify the mean structure for this model. As there are a total of seven variables in this model (six manifest and one latent), we have the potential for seven means. However, we must constrain at least one mean to a constant value, as there is not sufficient information to yield seven mean and intercept estimates from the six observed means. The six observed variables receive freely estimated intercepts, while the factor mean is fixed to a value of zero in the code below.

```
# means
means       <- mxPath( from="one", to=c("x1", "x2", "x3", "x4", "x5", "x6", "F1"), arrows=1,
                        free=c(T, T, T, T, T, T, FALSE), values=c(1, 1, 1, 1, 1, 1, 0),
                        labels =c("meanx1", "meanx2", "meanx3", "meanx4", "meanx5", "meanx6", NA) )
```

The model can now be run using the `mxRun` function, and the output of the model can be accessed from the `output` slot of the resulting model. A summary of the output can be reached using `summary()`.

```
oneFactorFit <- mxRun(oneFactorModel)

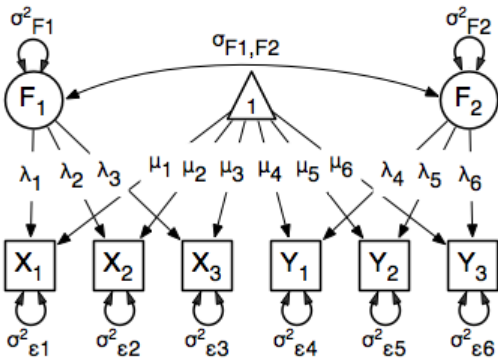
oneFactorFit@output
summary(oneFactorFit)
```

2.2.2 Two Factor Model

The common factor model can be extended to include multiple latent variables. The model for any person and path diagram of the common factor model for a set of variables x_1-x_3 and y_1-y_3 are given below.

$$x_{ij} = \mu_j + \lambda_j * \eta_{1i} + \epsilon_{ij}$$

$$y_{ij} = \mu_j + \lambda_j * \eta_{2i} + \epsilon_{ij}$$



Our model contains 21 parameters (6 manifest variances, six manifest means, six factor loadings, two factor variances and one factor covariance), but each factor requires one identification constraint. Like in the common factor model above, we will constrain one factor loading for each factor to a value of one. As such, this model contains 19 parameters. The means and covariance matrix for six observed variables contain 27 degrees of freedom, and thus our model contains 8 degrees of freedom.

The data for the two factor model can be found in the `myFADData` files introduced in the common factor model. For this model, we will select three x variables (`x1-x3`) and three y variables (`y1-y3`).

```
twoFactorRaw <- myFADDataRaw[,c("x1", "x2", "x3", "y1", "y2", "y3")]
```

```
twoFactorCov <- myFADDataCov[c("x1", "x2", "x3", "y1", "y2", "y3"),
                              c("x1", "x2", "x3", "y1", "y2", "y3")]
```

```
twoFactorMeans <- myFADDataMeans[c(1:3, 7:9)]
```

Specifying the two factor model is virtually identical to the single factor case. The last three variables of our `manifestVars` argument have changed from `"x4", "x5", "x6"` to `"y1", "y2", "y3"`, which is carried through references to the variables in later `mxPath` functions.

```
dataRaw      <- mxData( observed=twoFactorRaw, type="raw" )
# residual variances
resVars      <- mxPath( from=c("x1", "x2", "x3", "y1", "y2", "y3"), arrows=2,
                        free=TRUE, values=c(1,1,1,1,1,1),
                        labels=c("e1", "e2", "e3", "e4", "e5", "e6") )
# latent variances and covariance
latVars      <- mxPath( from=c("F1", "F2"), arrows=2, connect="unique.pairs",
                        free=TRUE, values=c(1, .5, 1), labels=c("varF1", "cov", "varF2") )
# factor loadings for x variables
facLoadsX    <- mxPath( from="F1", to=c("x1", "x2", "x3"), arrows=1,
                        free=c(F, T, T), values=c(1, 1, 1), labels=c("l1", "l2", "l3") )
# factor loadings for y variables
facLoadsY    <- mxPath( from="F2", to=c("y1", "y2", "y3"), arrows=1,
                        free=c(F, T, T), values=c(1, 1, 1), labels=c("l4", "l5", "l6") )
# means
means        <- mxPath( from="one", to=c("x1", "x2", "x3", "y1", "y2", "y3", "F1", "F2"),
```

```

arrows=1,
free=c(T,T,T,T,T,F,F), values=c(1,1,1,1,1,0,0),
labels=c("meanx1","meanx2","meanx3",
         "meany1","meany2","meany3",NA,NA) )

twoFactorModel <- mxModel("Two Factor Model Path Specification", type="RAM",
  manifestVars=c("x1", "x2", "x3", "y1", "y2", "y3"),
  latentVars=c("F1","F2"),
  dataRaw, resVars, latVars, facLoadsX, facLoadsY, means)

```

We've covered the `type` argument, `mxData` function and `manifestVars` and `latentVars` arguments previously, so now we will focus on the changes this model makes to the `mxPath` functions. The first and last `mxPath` functions, which detail residual variances and intercepts, accommodate the changes in manifest and latent variables but carry out identical functions to the common factor model.

```

# residual variances
resVars <- mxPath( from=c("x1", "x2", "x3", "y1", "y2", "y3"), arrows=2,
  free=TRUE, values=c(1,1,1,1,1,1),
  labels=c("e1","e2","e3","e4","e5","e6") )

# means
means <- mxPath( from="one", to=c("x1","x2","x3","y1","y2","y3","F1","F2"),
  arrows=1,
  free=c(T,T,T,T,T,F,F), values=c(1,1,1,1,1,0,0),
  labels=c("meanx1","meanx2","meanx3",
         "meany1","meany2","meany3",NA,NA) )

```

The second, third and fourth `mxPath` functions provide some changes to the model. The second `mxPath` function specifies the variances and covariance of the two latent variables. Like previous examples, we've omitted the `to` argument for this set of two-headed paths. Unlike previous examples, we've set the `connect` argument to `unique.pairs`, which creates all unique paths between the variables. As omitting the `to` argument is identical to putting identical variables in the `from` and `to` arguments, we are creating all unique paths from and to our two latent variables. This results in three paths: from F1 to F1 (the variance of F1), from F1 to F2 (the covariance of the latent variables), and from F2 to F2 (the variance of F2).

```

# latent variances and covariance
latVars <- mxPath( from=c("F1","F2"), arrows=2, connect="unique.pairs",
  free=TRUE, values=c(1,.5,1), labels=c("varF1","cov","varF2") )

```

The third and fourth `mxPath` functions define the factor loadings for each of the latent variables. We've split these loadings into two functions, one for each latent variable. The first loading for each latent variable is fixed to a value of one, just as in the previous example.

```

# factor loadings for x variables
facLoadsX <- mxPath( from="F1", to=c("x1","x2","x3"), arrows=1,
  free=c(F,T,T), values=c(1,1,1), labels=c("l11","l12","l13") )

# factor loadings for y variables
facLoadsY <- mxPath( from="F2", to=c("y1","y2","y3"), arrows=1,
  free=c(F,T,T), values=c(1,1,1), labels=c("l14","l15","l16") )

```

The model can now be run using the `mxRun` function, and the output of the model can be accessed from the `@output` slot of the resulting model. A summary of the output can be reached using `summary()`.

```

oneFactorFit <- mxRun(oneFactorModel)

oneFactorFit$output
summary(oneFactorFit)

```

These models may also be specified using matrices instead of paths. See *Factor Analysis, Matrix Specification* for matrix specification of these models.

2.3 Time Series, Path Specification

This example will demonstrate a growth curve model using path-centric specification. As with previous examples, this application is split into two files, one each raw and covariance data. These examples can be found in the following files:

- http://openmx.psyc.virginia.edu/svn/trunk/demo/LatentGrowthCurveModel_PathRaw.R

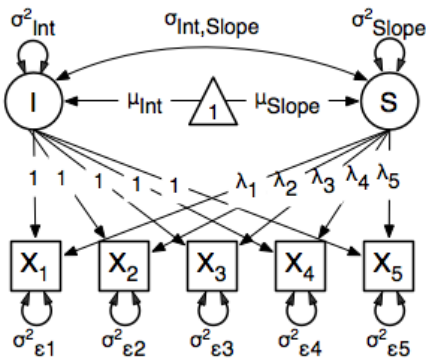
Parallel versions of this example, using matrix specification of models rather than paths, can be found here:

- http://openmx.psyc.virginia.edu/svn/trunk/demo/LatentGrowthCurveModel_MatrixRaw.R

2.3.1 Latent Growth Curve Model

The latent growth curve model is a variation of the factor model for repeated measurements. For a set of manifest variables $x_{i1} - x_{i5}$ measured at five discrete times for people indexed by the letter i , the growth curve model can be expressed both algebraically and via a path diagram as shown here:

$$x_{ij} = Intercept_i + \lambda_j * Slope_i + \epsilon_i$$



The values and specification of the λ parameters allow for alterations to the growth curve model. This example will utilize a linear growth curve model, so we will specify λ to increase linearly with time. If the observations occur at regular intervals in time, then λ can be specified with any values increasing at a constant rate. For this example, we will use [0, 1, 2, 3, 4] so that the intercept represents scores at the first measurement occasion, and the slope represents the rate of change per measurement occasion. Any linear transformation of these values can be used for linear growth curve models.

Our model for any number of variables contains 6 free parameters; two factor means, two factor variances, a factor covariance and a (constant) residual variance for the manifest variables. Our data contains five manifest variables, and so the covariance matrix and means vector contain 20 degrees of freedom. Thus, the linear growth curve model fit to these data has 14 degrees of freedom.

Data

The first step to running our model is to import data. The code below is used to import both raw data and a covariance matrix and means vector, either of which can be used for our growth curve model. This data contains five variables, which are repeated measurements of the same variable "x". As growth curve models make specific hypotheses about the variances of the manifest variables, correlation matrices generally aren't used as data for this model.

```
data(myLongitudinalData)

myLongitudinalDataCov<-matrix(
```

```
c(6.362, 4.344, 4.915, 5.045, 5.966,  
  4.344, 7.241, 5.825, 6.181, 7.252,  
  4.915, 5.825, 9.348, 7.727, 8.968,  
  5.045, 6.181, 7.727, 10.821, 10.135,  
  5.966, 7.252, 8.968, 10.135, 14.220), nrow=5,  
dimnames=list( c("x1", "x2", "x3", "x4", "x5"), c("x1", "x2", "x3", "x4", "x5")) )
```

```
myLongitudinalDataMeans <- c(9.864, 11.812, 13.612, 15.317, 17.178)  
names(myLongitudinalDataMeans) <- c("x1", "x2", "x3", "x4", "x5")
```

Model Specification

We'll create a path-centric factor model with the same functions and arguments used in previous path-centric examples. This model is a special type of two-factor model, with fixed factor loadings, constant residual variance and manifest means dependent on latent means.

Before running a model, the OpenMx library must be loaded into R using either the `require()` or `library()` function. This code uses the `mxModel` function to create an `MxModel` object, which we will then run.

```
require(OpenMx)  
  
dataRaw      <- mxData( observed=myLongitudinalData, type="raw" )  
# residual variances  
resVars      <- mxPath( from=c("x1", "x2", "x3", "x4", "x5"), arrows=2,  
                        free=TRUE, values = c(1,1,1,1,1),  
                        labels=c("residual", "residual", "residual", "residual", "residual") )  
# latent variances and covariance  
latVars      <- mxPath( from=c("intercept", "slope"), arrows=2, connect="unique.pairs",  
                        free=TRUE, values=c(1,1,1), labels=c("vari", "cov", "vars") )  
# intercept loadings  
intLoads     <- mxPath( from="intercept", to=c("x1", "x2", "x3", "x4", "x5"), arrows=1,  
                        free=FALSE, values=c(1,1,1,1,1) )  
# slope loadings  
sloLoads     <- mxPath( from="slope", to=c("x1", "x2", "x3", "x4", "x5"), arrows=1,  
                        free=FALSE, values=c(0,1,2,3,4) )  
# manifest means  
manMeans     <- mxPath( from="one", to=c("x1", "x2", "x3", "x4", "x5"), arrows=1,  
                        free=FALSE, values=c(0,0,0,0,0) )  
# latent means  
latMeans     <- mxPath( from="one", to=c("intercept", "slope"), arrows=1,  
                        free=TRUE, values=c(1,1), labels=c("meani", "means") )  
growthCurveModel <- mxModel("Linear Growth Curve Model Path Specification",  
                             type="RAM",  
                             manifestVars=c("x1", "x2", "x3", "x4", "x5"),  
                             latentVars=c("intercept", "slope"),  
                             dataRaw, resVars, latVars, intLoads, sloLoads,  
                             manMeans, latMeans)
```

The model begins with a name, in this case “Linear Growth Curve Model Path Specification”. If the first argument is an object containing an `MxModel` object, then the model created by the `mxModel` function will contain all of the named entities in the referenced model object. The `type="RAM"` argument specifies a RAM model, allowing the `mxModel` to define an expected covariance matrix from the paths we supply.

Data is supplied with the `mxData` function. This example uses raw data, but the `mxData` function in the code above could be replaced with the function below to include covariance data.


```
dataCov      <- mxData( myLongitudinalDataCov, type="cov", numObs=500,
                        means=myLongitudinalDataMeans )
```

Next, the manifest and latent variables are specified with the `manifestVars` and `latentVars` arguments. The two latent variables in this model are named "Intercept" and "Slope".

There are six `mxPath` functions in this model. The first two specify the variances of the manifest and latent variables, respectively. The manifest variables are specified below, which take the form of residual variances. The `to` argument is omitted, as it is not required to specify two-headed arrows. The residual variances are freely estimated, but held to a constant value across the five measurement occasions by giving all five variances the same label, `residual`.

```
# residual variances
resVars      <- mxPath( from=c("x1", "x2", "x3", "x4", "x5"), arrows=2,
                        free=TRUE, values = c(1,1,1,1,1),
                        labels=c("residual", "residual", "residual", "residual", "residual") )
```

Next are the variances and covariance of the two latent variables. Like the last function, we've omitted the `to` argument for this set of two-headed paths. However, we've set the `connect` argument to `unique`, which creates all unique paths between the variables. As omitting the `to` argument is identical to putting identical variables in the `from` and `to` arguments, we are creating all unique paths from and to our two latent variables. This results in three paths: from intercept to intercept (the variance of the intercepts), from intercept to slope (the covariance of the latent variables), and from slope to slope (the variance of the slopes).

```
# latent variances and covariance
latVars      <- mxPath( from=c("intercept", "slope"), arrows=2, connect="unique.pairs",
                        free=TRUE, values=c(1,1,1), labels=c("vari", "cov", "vars") )
```

The third and fourth `mxPath` functions specify the factor loadings. As these are defined to be a constant value of 1 for the intercept factor and the set [0, 1, 2, 3, 4] for the slope factor, these functions have no free parameters.

```
# intercept loadings
intLoads     <- mxPath( from="intercept", to=c("x1", "x2", "x3", "x4", "x5"), arrows=1,
                        free=FALSE, values=c(1,1,1,1,1) )

# slope loadings
sloLoads     <- mxPath( from="slope", to=c("x1", "x2", "x3", "x4", "x5"), arrows=1,
                        free=FALSE, values=c(0,1,2,3,4) )
```

The last two `mxPath` functions specify the means. The manifest variables are not regressed on the constant, and thus have intercepts of zero. The observed means are entirely functions of the means of the intercept and slope. To specify this, the manifest variables are regressed on the constant (denoted "one") with a fixed value of zero, and the regressions of the latent variables on the constant are estimated as free parameters.

```
# manifest means
manMeans     <- mxPath( from="one", to=c("x1", "x2", "x3", "x4", "x5"), arrows=1,
                        free=FALSE, values=c(0,0,0,0,0) )

# latent means
latMeans     <- mxPath( from="one", to=c("intercept", "slope"), arrows=1,
                        free=TRUE, values=c(1,1), labels=c("meani", "means") )
```

The model is now ready to run using the `mxRun` function, and the output of the model can be accessed from the output slot of the resulting model. A summary of the output can be reached using `summary()`.

```
growthCurveFit <- mxRun(growthCurveModel)

summary(growthCurveFit)
```

These models may also be specified using matrices instead of paths. See *Time Series, Matrix Specification* for matrix specification of these models.

2.4 Multiple Groups, Path Specification

An important aspect of structural equation modeling is the use of multiple groups to compare means and covariances structures between any two (or more) data groups, for example males and females, different ethnic groups, ages etc. Other examples include groups which have different expected covariances matrices as a function of parameters in the model, and need to be evaluated together for the parameters to be identified.

The example includes the heterogeneity model as well as its submodel, the homogeneity model, and is available in the following file:

- http://openmx.psyc.virginia.edu/svn/trunk/demo/BivariateHeterogeneity_PathRaw.R

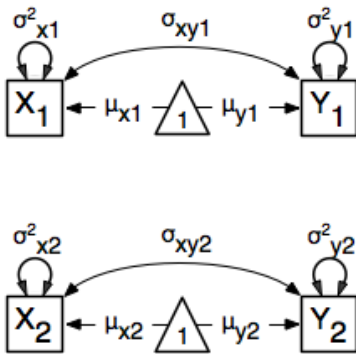
A parallel version of this example, using matrix specification of models rather than paths, can be found here:

- http://openmx.psyc.virginia.edu/svn/trunk/demo/BivariateHeterogeneity_MatrixRaw.R

2.4.1 Heterogeneity Model

We will start with a basic example here, building on modeling means and variances in a saturated model. Assume we have two groups and we want to test whether they have the same mean and covariance structure.

The path diagram of the heterogeneity model for a set of variables x and y are shown below.



Data

For this example we simulated two datasets ($xy1$ and $xy2$) each with zero means and unit variances, one with a correlation of 0.5, and the other with a correlation of 0.4 with 1000 subjects each. We use the `mvrnorm` function in the MASS package, which takes three arguments: `Sample Size`, `Means`, `Covariance Matrix`). We check the means and covariance matrix in R and provide `dimnames` for the dataframe. See attached R code for simulation and data summary.

```
#Simulate Data
require(MASS)
#group 1
set.seed(200)
xy1 <- mvrnorm(1000, c(0,0), matrix(c(1, .5, .5, 1), 2, 2))
#group 2
set.seed(200)
xy2 <- mvrnorm(1000, c(0,0), matrix(c(1, .4, .4, 1), 2, 2))

#Print Descriptive Statistics
selVars <- c('X', 'Y')
summary(xy1)
```

```
cov(xy1)
dimnames(xy1) <- list(NULL, selVars)
summary(xy2)
cov(xy2)
dimnames(xy2) <- list(NULL, selVars)
```

Model Specification

As before, we include the OpenMx package using a `require` statement. We first fit a heterogeneity model, allowing differences in both the mean and covariance structure of the two groups. As we are interested whether the two structures can be equated, we have to specify the models for the two groups, named `group1` and `group2` within another model, named `bivHet`. The structure of the job thus look as follows, with two `mxModel` commands as arguments of another `mxModel` command. Note that `mxModel` commands are unlimited in the number of arguments.

```
require(OpenMx)

bivHetModel <- mxModel("bivHet",
  mxModel("group1"),
  mxModel("group2"),
  mxFitFunctionMultigroup(c("group1.fitfunction", "group2.fitfunction"))
)
```

For each of the groups, we fit a saturated model, by specifying paths with free parameters for the variances and the covariance using two-headed arrows to generate the expected covariance matrix. Single-headed arrows from the constant one to the manifest variables contain the free parameters for the expected means. Note that we have specified different labels for all the free elements, in the two `mxModel` statements. The type is RAM by default.

```
dataRaw1 <- mxData( observed=xy1, type="raw")
variances1 <- mxPath( from=selVars, arrows=2,
  free=T, values=1, lbound=.01, labels=c("vX1","vY1") )
covariance1 <- mxPath( from="X", to="Y", arrows=2,
  free=T, values=.2, lbound=.01, labels="cXY1")
means1 <- mxPath( from="one", to=selVars, arrows=1,
  free=T, values=c(0.1,-0.1), ubound=c(NA,0), lbound=c(0,NA),
  labels=c("mX1","mY1") )
model1 <- mxModel("group1", type="RAM", manifestVars= selVars,
  dataRaw1, variances1, covariance1, means1)

dataRaw2 <- mxData( observed=xy2, type="raw")
variances2 <- mxPath( from=selVars, arrows=2,
  free=T, values=1, lbound=.01, labels=c("vX2","vY2") )
covariance2 <- mxPath( from="X", to="Y", arrows=2,
  free=T, values=.2, lbound=.01, labels="cXY2")
means2 <- mxPath( from="one", to=selVars, arrows=1,
  free=T, values=c(0.1,-0.1), ubound=c(NA,0), lbound=c(0,NA),
  labels=c("mX2","mY2") )
model2 <- mxModel("group2", type="RAM", manifestVars= selVars,
  dataRaw2, variances2, covariance2, means2)
```

We estimate five parameters (two means, two variances, one covariance) per group for a total of 10 free parameters. We cut the Labels matrix: parts from the output generated with `bivHetModel$group1@matrices` and `bivHetModel$group2@matrices`:

```
in group1                                in group2
  $$                                       $$
      X      Y                            X      Y
X  "vX1" "cXY1"                          X  "vX2" "cXY2"
```

```

Y "cXY1" "vY1"
$M
  X Y
[1,] "mX1" "mY1"

Y "cXY2" "vY2"
$M
  X Y
[1,] "mX2" "mY2"

```

To evaluate both models together, we use an `mxFitFunctionMultigroup` command that adds up the values of the fit functions of the two groups.

```

fun <- mxFitFunctionMultigroup(c("group1.fitfunction", "group2.fitfunction"))
bivHetModel <- mxModel("bivariate Heterogeneity Path Specification",
                      model1, model2, fun )

```

Model Fitting

The `mxRun` command is required to actually evaluate the model. Note that we have adopted the following notation of the objects. The result of the `mxModel` command ends in `Model`; the result of the `mxRun` command ends in `Fit`. Of course, these are just suggested naming conventions.

```
bivHetFit <- mxRun(bivHetModel)
```

A variety of output can be printed. We chose here to print the expected means and covariance matrices, which the RAM objective function generates based on the path specification, respectively in the matrices **M** and **S** for the two groups. OpenMx also puts the values for the expected means and covariances in the `means` and `covariance` objects. We also print the likelihood of the data given the model.

```

EM1Het <- bivHetFit$group1.fitfunction$info$expMean
EM2Het <- bivHetFit$group2.fitfunction$info$expMean
EC1Het <- bivHetFit$group1.fitfunction$info$expCov
EC2Het <- bivHetFit$group2.fitfunction$info$expCov
LLHet <- bivHetFit$output$fit

```

2.4.2 Homogeneity Model: a Submodel

Next, we fit a model in which the mean and covariance structure of the two groups are equated to one another, to test whether there are significant differences between the groups. As this model is nested within the previous one, the data are the same.

Model Specification

Rather than having to specify the entire model again, we copy the previous model `bivHetModel` into a new model `bivHomModel` to represent homogeneous structures.

```

#Fit Homogeneity Model
bivHomModel <- bivHetModel

```

As the free parameters of the paths are translated into RAM matrices, and matrix elements can be equated by assigning the same label, we now have to equate the labels of the free parameters in `group1` to the labels of the corresponding elements in `group2`. This can be done by referring to the relevant matrices using the `ModelName$MatrixName` syntax, followed by `@labels`. Note that in the same way, one can refer to other arguments of the objects in the model. Here we assign the labels from `group1` to the labels of `group2`, separately for the ‘covariance’ matrices (in **S**) used for the expected covariance matrices and the ‘means’ matrices (in **M**) for the expected mean vectors.

```
bivHomModel$group2.S$labels <- bivHomModel$group1.S$labels
bivHomModel$group2.M$labels <- bivHomModel$group1.M$labels
```

The specification for the submodel is reflected in the names of the labels which are now equal for the corresponding elements of the mean and covariance matrices, as below:

```
in group1                                in group2
  $$                                       $$
      X      Y                             X      Y
X  "vX1" "cXY1"                            X  "vX1" "cXY1"
Y  "cXY1" "vY1"                            Y  "cXY1" "vY1"

  $M                                       $M
      X      Y                             X      Y
[1,] "mX1" "mY1"                          [1,] "mX1" "mY1"
```

Model Fitting

We can produce similar output for the submodel, i.e. expected means and covariances and likelihood, the only difference in the code being the model name. Note that as a result of equating the labels, the expected means and covariances of the two groups should be the same, and a total of 5 parameters is estimated.

```
bivHomFit <- mxRun(bivHomModel)
EM1Hom <- bivHomFit$group1.fitfunction$info$expMean
EM2Hom <- bivHomFit$group2.fitfunction$info$expMean
EC1Hom <- bivHomFit$group1.fitfunction$info$expCov
EC2Hom <- bivHomFit$group2.fitfunction$info$expCov
LLHom <- bivHomFit$output$fit
```

Finally, to evaluate which model fits the data best, we generate a likelihood ratio test from the difference between -2 times the log-likelihood of the homogeneity model and -2 times the log-likelihood of the heterogeneity model. This statistic is asymptotically distributed as a Chi-square, which can be interpreted with the difference in degrees of freedom of the two models, in this case 5 df.

```
Chi <- LLHom-LLHet
LRT <- rbind(LLHet, LLHom, Chi)
LRT
```

These models may also be specified using matrices instead of paths. See *Multiple Groups, Matrix Specification* for matrix specification of these models.

2.5 Genetic Epidemiology, Path Specification

Mx was and OpenMx is probably the most popular statistical modeling package in the behavior genetics field, as it was conceived with genetic models in mind, which rely heavily on multiple groups. We introduce here an OpenMx script for the basic genetic model in genetic epidemiologic research, the ACE model. This model assumes that the variability in a phenotype, or observed variable, can be explained by differences in genetic and environmental factors, with **A** representing additive genetic factors, **C** shared/common environmental factors and **E** unique/specific environmental factors (see Neale & Cardon 1992, for a detailed treatment). To estimate these three sources of variance, data have to be collected on relatives with different levels of genetic and environmental similarity to provide sufficient information to identify the parameters. One such design is the classical twin study, which compares the similarity of identical (monozygotic, MZ) and fraternal (dizygotic, DZ) twins to infer the role of **A**, **C** and **E**.

The example starts with the ACE model and includes one submodel, the AE model. It is available in the following file:

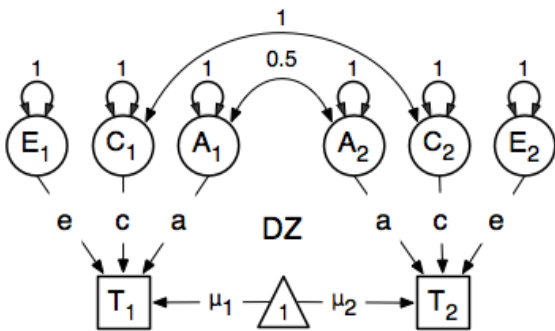
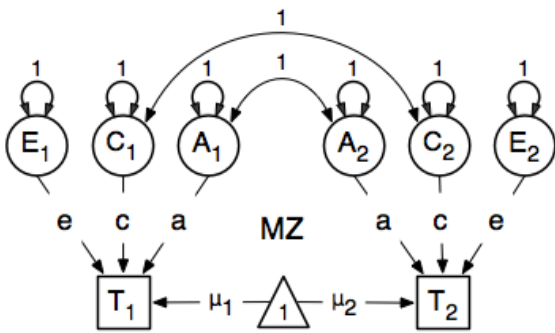
- http://openmx.psyc.virginia.edu/svn/trunk/demo/UnivariateTwinAnalysis_PathRaw.R

A parallel version of this example, using matrix specification of models rather than paths, can be found here:

- http://openmx.psyc.virginia.edu/svn/trunk/demo/UnivariateTwinAnalysis_MatrixRaw.R

2.5.1 ACE Model: a Twin Analysis

A twin analysis is a typical example of multiple groups, in this case MZ twins and DZ twins, with different expectations for the covariance structure (and possibly means). We illustrate the model here with the corresponding two path diagrams:



Data

Let us assume you have collected data on a large sample of twin pairs for your phenotype of interest. For illustration purposes, we use Australian data on body mass index (BMI) which are saved in a text file 'myTwinData.txt'. We use R to read the data into a data.frame and define the objects `selVars` for the variables selected for analysis, and `aceVars` for the latent variables to simplify the OpenMx code. We then create two subsets of the data for MZ females (`mzData`) and DZ females (`dzData`) respectively with the code below, and generate some descriptive statistics, namely means and covariances.

```
# Load Data
data(twinData)

# Select Variables for Analysis
selVars <- c('bmi1', 'bmi2')
aceVars <- c("A1", "C1", "E1", "A2", "C2", "E2")
```

```

# Select Data for Analysis
mzData    <- subset(twinData, zyg==1, selVars)
dzData    <- subset(twinData, zyg==3, selVars)

# Generate Descriptive Statistics
colMeans (mzData, na.rm=TRUE)
colMeans (dzData, na.rm=TRUE)
cov (mzData, use="complete")
cov (dzData, use="complete")

```

Model Specification

There are different ways to draw a path diagram of the ACE model. The most commonly used approach is with the three latent variables in circles at the top, separately for twin 1 and twin 2 respectively called **A1**, **C1**, **E1** and **A2**, **C2**, **E2**. The latent variables are connected to the observed variables in boxes at the bottom, representing the measures for twin 1 and twin 2: **T1** and **T2**, by single-headed arrows from the latent to the manifest variables. Path coefficients **a**, **c** and **e** are estimated but constrained to be the same for twin 1 and twin 2, as well as for MZ and DZ twins. As MZ twins share all their genotypes, the double-headed path connecting **A1** and **A2** is fixed to one in the MZ diagram. DZ twins share on average half their genes, and as a result the corresponding path is fixed to 0.5 in the DZ diagram. Environmental factors that are shared between twins are assumed to increase similarity between twins to the same extent in MZ and DZ twins (equal environments assumption), thus the double-headed path connecting **C1** and **C2** is fixed to one in both diagrams above. The unique environmental factors are by definition uncorrelated between twins.

Let's go through the paths specification step by step. First, we start with the `require(OpenMx)` statement. We include the full code here. As MZ and DZ have to be evaluated together, the models for each will be arguments of a bigger model. Given the diagrams for the MZ and the DZ group look rather similar, we start by specifying all the common elements which will be stored in a list `paths` and then shared with the two submodels for each of the twin types, defined in separate `mxModel` commands. The latter two `MxModel` objects (`modelMZ` and `modelDZ`) are arguments of the overall model, and will be saved together in the R object `modelACE` and thus be run together.

```

require(OpenMx)

# Path objects for Multiple Groups
manifestVars=selVars
latentVars=aceVars
# variances of latent variables
latVariances <- mxPath( from=aceVars, arrows=2,
                        free=FALSE, values=1 )
# means of latent variables
latMeans     <- mxPath( from="one", to=aceVars, arrows=1,
                        free=FALSE, values=0 )
# means of observed variables
obsMeans     <- mxPath( from="one", to=selVars, arrows=1,
                        free=TRUE, values=20, labels="mean" )
# path coefficients for twin 1
pathAceT1    <- mxPath( from=c("A1", "C1", "E1"), to="bmi1", arrows=1,
                        free=TRUE, values=.5, label=c("a", "c", "e") )
# path coefficients for twin 2
pathAceT2    <- mxPath( from=c("A2", "C2", "E2"), to="bmi2", arrows=1,
                        free=TRUE, values=.5, label=c("a", "c", "e") )
# covariance between C1 & C2
covC1C2      <- mxPath( from="C1", to="C2", arrows=2,
                        free=FALSE, values=1 )
# covariance between A1 & A2 in MZ twins
covA1A2_MZ   <- mxPath( from="A1", to="A2", arrows=2,
                        free=FALSE, values=1 )

```

```

# covariance between A1 & A2 in DZ twins
covA1A2_DZ  <- mxPath( from="A1", to="A2", arrows=2,
                      free=FALSE, values=.5 )

# Data objects for Multiple Groups
dataMZ      <- mxData( observed=mzData, type="raw" )
dataDZ      <- mxData( observed=dzData, type="raw" )

# Combine Groups
paths       <- list( latVariances, latMeans, obsMeans,
                    pathAceT1, pathAceT2, covC1C2 )
modelMZ     <- mxModel( model="MZ", type="RAM", manifestVars=selVars,
                      latentVars=aceVars, paths, covA1A2_MZ, dataMZ )
modelDZ     <- mxModel( model="DZ", type="RAM", manifestVars=selVars,
                      latentVars=aceVars, paths, covA1A2_DZ, dataDZ )
minus2ll    <- mxAlgebra( expression=MZ.fitfunction + DZ.fitfunction,
                        name="minus2loglikelihood" )
obj         <- mxFitFunctionAlgebra( "minus2loglikelihood" )
modelACE    <- mxModel( model="ACE", modelMZ, modelDZ, minus2ll, obj )

# Run Model
fitACE      <- mxRun( modelACE )
sumACE     <- summary( fitACE )

```

Now we will discuss the script line by line. For further details on RAM, see [RAM1990]. Each line can be pasted into R, and then evaluated together once the whole model is specified. Models specifying paths are translated into ‘RAM’ specifications for optimization, indicated by using the `type="RAM"` within the `mxModel` statements. We start the path diagram specification by providing the names for the manifest variables in `manifestVars` and the latent variables in `latentVars`. We use here the `selVars` and `aceVars` objects that we created previously when preparing the data.

..[RAM1990] McArdle, J.J. & Boker, S.M. (1990). RAMpath: Path diagram software. Denver: Data Transforms Inc.

```

manifestVars=selVars
latentVars=aceVars

```

We start by specifying paths for the variances and means of the latent variables. These include double-headed arrows from each latent variable back to itself, fixed at one.

```

# variances of latent variables
latVariances <- mxPath( from=aceVars, arrows=2,
                      free=FALSE, values=1 )

```

and single-headed arrows from the triangle (with a fixed value of one) to each of the latent variables, fixed at zero.

```

# means of latent variables
latMeans     <- mxPath( from="one", to=aceVars, arrows=1,
                      free=FALSE, values=0 )

```

Next we specify paths for the means of the observed variables using single-headed arrows from `one` to each of the manifest variables. These are set to be free and given a start value of 20. As we use the same label (“mean”) for the two means, they are constrained to be equal. Remember that R ‘recycles’.

```

# means of observed variables
obsMeans     <- mxPath( from="one", to=selVars, arrows=1,
                      free=TRUE, values=20, labels="mean" )

```

The main paths of interest are those from each of the latent variables to the respective observed variable. These are also estimated (thus all are set free), get a start value of 0.5 and appropriate labels. We chose the start value of .5 by

dividing the observed variance, here about .7-.8 in three for the three sources of variance, and then taking the square root as we're estimating the path coefficients, but these are squared to obtain their contribution to the variance.

```
# path coefficients for twin 1
pathAceT1    <- mxPath( from=c("A1", "C1", "E1"), to="bmi1", arrows=1,
                        free=TRUE, values=.5, label=c("a", "c", "e") )
# path coefficients for twin 2
pathAceT2    <- mxPath( from=c("A2", "C2", "E2"), to="bmi2", arrows=1,
                        free=TRUE, values=.5, label=c("a", "c", "e") )
```

As the common environmental factors are by definition the same for both twins, we fix the correlation between **C1** and **C2** to one.

```
# covariance between C1 & C2
covC1C2      <- mxPath( from="C1", to="C2", arrows=2,
                        free=FALSE, values=1 )
```

Next we create the paths that are specific to the MZ group or the DZ group and are later included into the respective models, `modelMZ` and `modelDZ`, which are combined in `modelACE`. In the MZ model we add the path for the correlation between **A1** and **A2** which is fixed to one. In the DZ model the correlation between **A1** and **A2** is fixed to 0.5 instead.

```
# covariance between A1 & A2 in MZ's
covA1A2_MZ   <- mxPath( from="A1", to="A2", arrows=2,
                        free=FALSE, values=1 )
# covariance between A1 & A2 in DZ's
covA1A2_DZ   <- mxPath( from="A1", to="A2", arrows=2,
                        free=FALSE, values=.5 )
```

That concludes the specification of the paths from which the models will be generated for MZ and DZ twins separately. Next we move to the `mxData` commands that call up the data.frame with the MZ raw data, `mzData`, and the DZ raw data, `dzData`, respectively, with the type specified explicitly as `raw`. These are stored in two `MxData` objects.

```
dataMZ       <- mxData( observed=mzData, type="raw" )
dataDZ       <- mxData( observed=dzData, type="raw" )
```

As we indicated earlier, we're collecting all the `mxPaths` objects that are in common between the two models in a list called `paths`, which will then be included in the respective models that we'll build next with the `mxModel` statements. First we give the model a name, "MZ", to refer back to it later when we need to add the fit functions. Next we tell OpenMx that we're specifying a path model by using the `RAM` type, which requires us to include both the `manifestVars` and the `latentVars` arguments. Then we include the list of paths generated before that are common between the two models, and the path that is specific to either the MZ or the DZ model. Last we add the data objects for the MZ and DZ group respectively.

```
# Combine Groups
paths        <- list( latVariances, latMeans, obsMeans,
                    pathAceT1, pathAceT2, covC1C2 )
modelMZ      <- mxModel( model="MZ", type="RAM", manifestVars=selVars,
                    latentVars=aceVars, paths, covA1A2_MZ, dataMZ )
modelDZ      <- mxModel( model="DZ", type="RAM", manifestVars=selVars,
                    latentVars=aceVars, paths, covA1A2_DZ, dataDZ )
```

Finally, both models need to be evaluated simultaneously. We generate the sum of the fit functions for the two groups, using `mxAlgebra`, and use the result (*minus2loglikelihood*) as argument of the `mxFitFunctionAlgebra` command. We specify a new `mxModel` - with a new name using the `model=""` notation, which has the `modelMZ` and `modelDZ` as its arguments. We also include the objects summing the likelihood and evaluating it.

```
minus2ll     <- mxAlgebra( expression=MZ.fitfunction + DZ.fitfunction,
                        name="minus2loglikelihood" )
```

```
obj          <- mxFitFunctionAlgebra( "minus2loglikelihood" )
modelACE     <- mxModel(model="ACE", modelMZ, modelDZ, minus2ll, obj )
```

Model Fitting

We need to invoke the `mxRun` command to start the model evaluation and optimization. Detailed output will be available in the resulting object, which can be obtained by a `print()` statement, or a more succinct output can be obtained with the `summary` function.

```
#Run ACE model
fitACE       <- mxRun(modelACE)
sumACE       <- summary(fitACE)
```

Often, however, one is interested in specific parts of the output. In the case of twin modeling, we typically will inspect the likelihood, the expected covariance matrices and mean vectors, the parameter estimates, and possibly some derived quantities, such as the standardized variance components, obtained by dividing each of the components by the total variance. Note in the code below that the `mxEval` command allows easy extraction of the values in the various matrices which form the first argument, with the model name as second argument. Once these values have been put in new objects, we can use any regular R expression to derive further quantities or organize them in a convenient format for including in tables. Note that helper functions could easily (and will likely) be written for standard models to produce ‘standard’ output.

```
# Generate & Print Output
# additive genetic variance, a^2
A <- mxEval(a*a, fitACE)
# shared environmental variance, c^2
C <- mxEval(c*c, fitACE)
# unique environmental variance, e^2
E <- mxEval(e*e, fitACE)
# total variance
V <- (A+C+E)
# standardized A
a2 <- A/V
# standardized C
c2 <- C/V
# standardized E
e2 <- E/V
# table of estimates
estACE <- rbind(cbind(A,C,E), cbind(a2,c2,e2))
# likelihood of ACE model
LL_ACE <- mxEval(fitfunction, fitACE)
```

2.5.2 Alternative Models: an AE Model

To evaluate the significance of each of the model parameters, nested submodels are fit in which the parameters of interest are fixed to zero. If the likelihood ratio test between the two models (one including the parameter and the other not) is significant, the parameter that is dropped from the model significantly contributes to the variance of the phenotype in question. Here we show how we can fit the AE model as a submodel with a change in the two `mxPath` commands. We re-specify the path from **C1** to **bmi1** to be fixed to zero, and do the same for the path from **C2** to **bmi2**. We need to rebuild both `modelMZ` and `modelDZ`, so that they are now built with the changed paths, as well as the overall model which we now call `modelAE`. We can run this model in the same way as before, by combining the fit functions of the two groups and generate similar summaries of the results.

```

#Run AE model
# path coefficients for twin 1
pathAceT1 <- mxPath( from=c("A1", "C1", "E1"), to="bmi1", arrows=1,
                    free=c(T,F,T), values=c(.6,0,.6), label=c("a", "c", "e") )
# path coefficients for twin 2
pathAceT2 <- mxPath( from=c("A2", "C2", "E2"), to="bmi2", arrows=1,
                    free=c(T,F,T), values=c(.6,0,.6), label=c("a", "c", "e") )

# Combine Groups
paths <- list( latVariances, latMeans, obsMeans,
              pathAceT1, pathAceT2, covC1C2 )
modelMZ <- mxModel( model="MZ", type="RAM", manifestVars=selVars,
                  latentVars=aceVars, paths, covA1A2_MZ, dataMZ )
modelDZ <- mxModel( model="DZ", type="RAM", manifestVars=selVars,
                  latentVars=aceVars, paths, covA1A2_DZ, dataDZ )
modelAE <- mxModel( model="AE", modelMZ, modelDZ, minus211, obj )

# Run Model
fitAE <- mxRun(modelAE)
sumAE <- summary(fitAE)

# Generate & Print Output
A <- mxEval(a*a, fitAE)
C <- mxEval(c*c, fitAE)
E <- mxEval(e*e, fitAE)
V <- (A+C+E)
a2 <- A/V
c2 <- C/V
e2 <- E/V
estAE <- rbind(cbind(A, C, E), cbind(a2, c2, e2))
LL_AE <- mxEval(fitfunction, fitAE)
LRT_ACE_AE <- LL_AE - LL_ACE
estACE
estAE
LRT_ACE_AE

```

We use a likelihood ratio test (or take the difference between -2 times the log-likelihoods of the two models, for the difference in degrees of freedom) to determine the best fitting model. In this example, the Chi-square likelihood ratio test is 0 for 1 degree of freedom, indicating the the c parameter does not contribute to the variance at all. This can also be seen in the 0 estimates for the c parameter in the ACE model and identical parameters for a and e in the ACE and AE models.

While the approach outlined above works just fine, the same can be accomplished with the `omxSetParameters` helper function, that allows the user to specify a parameter label in a model whose attributes are changed, in this case by setting `free` to `FALSE` and `values` to 0. Prior to making this changed, we copied the original model into a new model and gave it a new name, so that we have separate model objects for the two nested models that can then be compared with `mxCompare`.

```

modelAE <- mxModel( fitACE, name="AE" )
modelAE <- omxSetParameters( modelAE, labels="c", free=FALSE, values=0 )
fitAE <- mxRun(modelAE)
sumAE <- summary(fitAE)
mxCompare(fitACE, fitAE)

```

See *Genetic Epidemiology, Matrix Specification* for matrix specification of these models.

2.6 Definition Variables, Path Specification

This example will demonstrate the use of OpenMx definition variables with the analysis of a simple two group dataset. What are definition variables? Essentially, definition variables can be thought of as observed variables that are used to change the statistical model on an individual case basis. In essence, it is as though one or more variables in the raw data vectors are used to specify the statistical model for that individual. Many different types of statistical model can be specified in this fashion; some are readily specified in standard fashion, and some cannot. To illustrate, we implement a two-group model. The groups differ in their means but not in their variances and covariances. This situation could easily be modeled in a regular multiple group fashion - it is only implemented using definition variables to illustrate their use. The results are verified using summary statistics and an Mx 1.0 script for comparison is also available.

2.6.1 Mean Differences

The example shows the use of definition variables to test for mean differences. It is available in the following file:

- http://openmx.psyc.virginia.edu/svn/trunk/demo/DefinitionMeans_PathRaw.R

A parallel version of this example, using matrix specification of models rather than paths, can be found here:

- http://openmx.psyc.virginia.edu/svn/trunk/demo/DefinitionMeans_MatrixRaw.R

Statistical Model

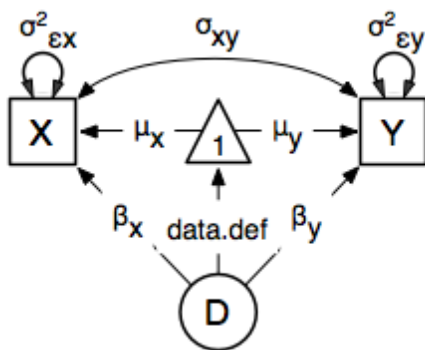
Algebraically, we are going to fit the following model to the observed x and y variables:

$$x_i = \mu_x + \beta_x * def + \epsilon_{xi}$$

$$y_i = \mu_y + \beta_y * def + \epsilon_{yi}$$

where def is the definition variable and the residual sources of variance, ϵ_{xi} and ϵ_{yi} covary to the extent ρ . So, the task is to estimate: the two means μ_x and μ_y ; the deviations from these means due to belonging to the group identified by having def set to 1 (as opposed to zero), β_x and β_y ; and the parameters of the variance covariance matrix: $cov(\epsilon_x, \epsilon_y)$.

Our task is to implement the model shown in the figure below:



Data Simulation

Our first step to running this model is to simulate the data to be analyzed. Each individual is measured on two observed variables, x and y , and a third variable def which denotes their group membership with a 1 or a 0. These values for group membership are not accidental, and must be adhered to in order to obtain readily interpretable results. Other values such as 1 and 2 would yield the same model fit, but would make the interpretation more difficult.

```

library(MASS)      # to get hold of mvrnorm function
set.seed(200)     # to make the simulation repeatable
N                 <- 500      # sample size, per group
Sigma            <- matrix(c(1, .5, .5, 1), 2, 2)
group1          <- mvrnorm(N, c(1, 2), Sigma) # Use mvrnorm from MASS package
group2          <- mvrnorm(N, c(0, 0), Sigma)

```

We make use of the superb R function `mvrnorm` in order to simulate $N=500$ records of data for each group. These observations correlate $.5$ and have a variance of 1 , per the matrix `Sigma`. The means of x and y in group 1 are 1.0 and 2.0 , respectively; those in group 2 are both zero. The output of the `mvrnorm` function calls are matrices with 500 rows and 2 columns, which are stored in `group1` and `group2`. Now we create the definition variable

```

# Put the two groups together, create a definition variable,
# and make a list of which variables are to be analyzed (selVars)
xy          <- rbind(group1, group2)      # Bind groups together by rows
dimnames(xy)[2] <- list(c("x", "y"))      # Add names
def         <- rep(c(1, 0), each=N);      # Add def var [2n] for group status
selVars     <- c("x", "y")                # Make selection variables object

```

The objects `xy` and `def` might be combined in a data frame. However, in this case we won't bother to do it externally, and simply paste them together in the `mxData` function call.

Model Specification

The following code contains all of the components of our model. Before specifying a model, the OpenMx library must be loaded into R using either the `require()` or `library()` function. This code uses the `mxModel` function to create an `mxModel` object, which we'll then run. Note that all the objects required for estimation (data, matrices, an expectation function, and a fit function) are declared within the `mxModel` function. This type of code structure is recommended for OpenMx scripts generally.

```

# variances
variances <- mxPath( from=c("x", "y"), arrows=2,
                    free=TRUE, values=1, labels=c("Varx", "Vary") )

# covariances
covariances <- mxPath( from="x", to="y", arrows=2,
                      free=TRUE, values=.1, labels=c("Covxy") )

# means
means <- mxPath( from="one", to=c("x", "y"), arrows=1,
                free=TRUE, values=1, labels=c("meanx", "meany") )

# definition value
defValues <- mxPath( from="one", to="DefDummy", arrows=1,
                    free=FALSE, values=1, labels="data.def" )

# beta weights
betaWeights <- mxPath( from="DefDummy", to=c("x", "y"), arrows=1,
                     free=TRUE, values=1, labels=c("beta_1", "beta_2") )

# dataset
dataRaw <- mxData( observed=data.frame(xy, def), type="raw" )
defMeansModel <- mxModel("Definition Means Path Specification", type="RAM",
                        manifestVars=selVars, latentVars="DefDummy",
                        dataRaw, variances, covariances, means,
                        defValues, betaWeights)

```

The first argument in an `mxModel` function has a special function. If an object or variable containing an `MxModel` object is placed here, then `mxModel` adds to or removes pieces from that model. If a character string (as indicated by double quotes) is placed first, then that becomes the name of the model. Models may also be named by including a name argument. This model is named "Definition Means Path Specification".

```
require (OpenMx)
```

```
defMeansModel <- mxModel("Definition Means Path Specification", type="RAM"
```

The second argument of the `mxModel` function call declares that we are going to be using RAM specification of the model, using directional and bidirectional path coefficients between the variables.

```
manifestVars=c("x","y"), latentVars="DefDummy"
```

Model specification is carried out using two lists of variables, `manifestVars` and `latentVars`. Then `mxPath` functions are used to specify paths between them. In the present case, we need four `mxPath` commands to specify the model. The first is for the variances of the x and y variables, and the second specifies their covariance. The third specifies a path from the mean vector, always known by the special keyword `one`, to each of the observed variables, and to the single latent variable `DefDummy`. This last path is specified to contain the definition variable, by virtue of the `data.def` label. Definition variables are part of the data so the first part is always `data..` The second part refers to the actual variable in the dataset whose values are modeled. The Finally, two paths are specified from the `DefDummy` latent variable to the observed variables. These parameters estimate the deviation of the mean of those with a `data.def` value of 1 from that of those with `data.def` values of zero.

```
# variances
variances <- mxPath( from=c("x","y"), arrows=2,
                    free=TRUE, values=1, labels=c("Varx","Vary") )

# covariances
covariances <- mxPath( from="x", to="y", arrows=2,
                      free=TRUE, values=.1, labels=c("Covxy") )

# means
means <- mxPath( from="one", to=c("x","y"), arrows=1,
                free=TRUE, values=1, labels=c("meanx","meany") )

# definition value
defValues <- mxPath( from="one", to="DefDummy", arrows=1,
                    free=FALSE, values=1, labels="data.def" )

# beta weights
betaWeights <- mxPath( from="DefDummy", to=c("x","y"), arrows=1,
                      free=TRUE, values=1, labels=c("beta_1","beta_2") )
```

Next, we declare where the data are, and their type, by creating an `MxData` object with the `mxData` function. This code first references the object where our data are, then uses the `type` argument to specify that this is raw data. Analyses using definition variables have to use raw data, so that the model can be specified on an individual data vector level.

```
dataRaw <- mxData( observed=data.frame(y,def), type="raw" )
```

We can then run the model and examine the output with a few simple commands.

Model Fitting

```
# Run the model
defMeansFit<-mxRun(defMeansModel)

defMeansFit$matrices
```

The R object `defmeansFit` contains matrices and algebras; here we are interested in the matrices, which can be seen with the `defmeansFit$matrices` entry. In path notation, the unidirectional, one-headed arrows appear in the matrix **A**, the two-headed arrows in **S**, and the mean vector single headed arrows in **M**.

```
# Compare OpenMx estimates to summary statistics from raw data,
# remembering to knock off 1 and 2 from group 1's data
```

```

# so as to estimate variance of combined sample without
# the mean difference contributing to the variance estimate.

# First compute some summary statistics from data
ObsCovs <- cov(rbind(group1 - rep(c(1,2), each=N), group2))
ObsMeansGroup1 <- c(mean(group1[,1]), mean(group1[,2]))
ObsMeansGroup2 <- c(mean(group2[,1]), mean(group2[,2]))

# Second extract parameter estimates and matrix algebra results from model
Sigma <- mxEval(S[1:2,1:2], defMeansFit)
Mu <- mxEval(M[1:2], defMeansFit)
beta <- mxEval(A[1:2,3], defMeansFit)

# Third, check to see if things are more or less equal
omxCheckCloseEnough(ObsCovs, Sigma, .01)
omxCheckCloseEnough(ObsMeansGroup1, as.vector(Mu+beta), .001)
omxCheckCloseEnough(ObsMeansGroup2, as.vector(Mu), .001)

```

These models may also be specified using matrices instead of paths. See *Definition Variables, Matrix Specification* for matrix specification of these models.

2.7 Ordinal and Joint Ordinal-Continuous Model Specification

This chapter deals with the specification of models that are either fit exclusively to ordinal variables or to a mix of ordinal and continuous variables. It extends the continuous data common factor model found in previous chapters to ordinal data.

The examples for this chapter can be found in the following file:

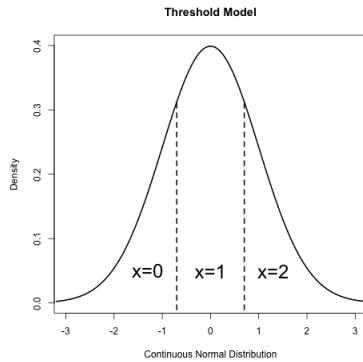
- <http://openmx.psyc.virginia.edu/svn/trunk/demo/OneFactorOrdinal.R>

The continuous versions of these models for raw data can be found the previous demos here:

- http://openmx.psyc.virginia.edu/svn/trunk/demo/OneFactorModel_MatrixRaw.R
- http://openmx.psyc.virginia.edu/svn/trunk/demo/OneFactorModel_PathRaw.R

2.7.1 Ordinal Data

OpenMx models ordinal data under a threshold model. A continuous normal distribution is assumed to underly every ordinal variable. These latent continuous distributions are only observed as being above or below a threshold, where there is one fewer threshold than observed categories in the data. For example, consider a variable with three ordered categories indicated by the values zero, one and two. Under this approach, this variable is assumed to follow a normal distribution that is partitioned or cut by two thresholds: individuals with underlying scores below the first threshold have an observed value of zero, individuals with latent scores between the thresholds are observed with values of one, and individuals with underlying scores give observed values of two.



Each threshold may be freely estimated or assigned as a fixed parameter, depending on the desired model. In addition to the thresholds, ordinal variables still have a mean and variance that describes the parameters of the underlying continuous distribution. However, this underlying distribution must be scaled by fixing at least two parameters to identify the model. One method of identification fixes the mean and variance to specific values, most commonly to a standard normal distribution with a mean of zero and a variance of one. A variation on this method fixes the residual variance of the categorical variable to one, which is often easier to specify. Alternatively, categorical variables may be identified by fixing two thresholds to non-equivalent constant values. These methods will differ in the scale assigned to the ordinal variables (and thus, the scale of the parameters estimated from them), but all identify the same model and should provide equally valid results.

OpenMx allows for the inclusion of continuous and ordinal variables in the same model, as well as models with only continuous or only ordinal variables. Any number of continuous variables may be included in an OpenMx model; however, maximum likelihood estimation for ordinal data must be limited to twenty ordinal variables regardless of the number of continuous variables. Further technical details on ordinal and joint continuous-ordinal optimization are contained at the end of this chapter.

Specifying Data for Ordinal Models

To use ordinal variables in OpenMx, users must identify ordinal variables by specifying those variables as ordered factors in the included data. Ordinal models can only be fit to raw data; if data is described as a covariance or other moment matrix, then the categorical nature of the data was already models to generate that moment matrix. Ordinal variables must be defined as specific columns in an R data frame.

Factors are a type of variable included in an R data frame. Unlike numeric or continuous variables, which must include only numeric and missing values, observed values for factors are treated as character strings. All factors contain a `levels` argument, which lists the possible values for a factor. Ordered factors contain information about the ordering of possible levels. Both R and OpenMx have tools for manipulating factors in data frames. The R functions `factor()` and `as.factor()` (and companions `ordered()` and `as.ordered()`) can be used to specify ordered factors. OpenMx includes a helper function `mxFactor()` which more directly prepares ordinal variables as ordered factors in preparation for inclusion in OpenMx models. The code below demonstrates the `mxFactor()` function, replacing the variable `z1` that was initially read as a continuous variable and treating it as an ordinal variable with two levels. This process is repeated for `z2` (two levels) and `z3` (three levels).

```
data(myFADDataRaw)

oneFactorOrd <- myFADDataRaw[,c("z1", "z2", "z3")]

oneFactorOrd$z1 <- mxFactor(oneFactorOrd$z1, levels=c(0, 1))
oneFactorOrd$z2 <- mxFactor(oneFactorOrd$z2, levels=c(0, 1))
oneFactorOrd$z3 <- mxFactor(oneFactorOrd$z3, levels=c(0, 1, 2))
```


Specifying Thresholds Using `mxThreshold`

Just as covariances and means are included in models using `mxPath` when `type='RAM'` is enabled, thresholds may be included in models using the `mxThreshold` function. This function creates a list of thresholds to be added to your model, just as `mxPath` creates a list of paths. As an example, the data prep example above includes two binary variables (`z1` and `z2`) and one variable with three categories (`z3`). This means that models fit to this data should contain thresholds for three variables (for `z1`, `z2` and `z3`). This can be done with three separate calls to the `mxThreshold` function, as shown here.

```
mxThreshold(vars="z1", nThresh=1, free=TRUE, values=-1)
mxThreshold(vars="z2", nThresh=1, free=TRUE, values=0)
mxThreshold(vars="z3", nThresh=2, free=TRUE, values=c(-.5, 1.2))
```

The `mxThreshold` function first requires a variable to assign thresholds to, as well as a number of thresholds. In the first use of `mxThreshold` above, those are specified using the `vars` and `nThresh` arguments. The remaining arguments match those used by `mxPath`: threshold parameters should be designated as `free`, be given starting values, and optionally given labels and boundaries (`lbound` and `ubound`).

In this example, variables '`z1`' and '`z2`' are binary, with a single freely estimated threshold for each variable with starting values of -1 and 0, respectively. The meaning of these thresholds will depend on the mean and variance of these variables; as we are freely estimating thresholds for binary variables, the mean and variances of these variables should be constrained to fixed values. The third function call represents variable '`z3`', which contains two thresholds and thus three categories. These two thresholds are assigned free parameters with starting values of -0.5 and 1.2, and the mean and variance of this variable should also be constrained to fixed values for identification. For variables with multiple thresholds, starting values should be monotonically increasing in each column such that the first column represents the first threshold and lowest value and the last column represents the last threshold and highest value.

Alternatively, `mxThreshold` can be used to specify thresholds for multiple variables at once. In the code below, `mxThreshold` is used to specify thresholds for all variables simultaneously. First, the `vars` argument contains a vector of variable names for which thresholds should be specified. The `nThresh` argument then specifies how many thresholds should be assigned to each variable: 1 each for `z1` and `z2`, and two for `z3`. The `free` argument states that all specified thresholds are to be freely estimated (the one value is repeated for all four thresholds). Finally, starting values are given using the `values` argument: -1 for `z1`, 0 for `z2`, and -.5 and 1.2 for `z3`.

```
mxThreshold(vars=c("z1", "z2", "z3"), nThresh=c(1,1,2), free=TRUE, values=c(-1, 0, -.5, 1.2) )
```

There are a few common errors regarding the use of thresholds in OpenMx. First, threshold values within each variable must be strictly increasing, such that the value in any element of the threshold matrix must be greater than all values above it in that column. In the above example, the second threshold for `z3` is set at 1.2, above the value of -.5 for the first threshold. OpenMx will return an error when your thresholds are not strictly increasing. There are no restrictions on values across variables: the second threshold for `z3` could be below all thresholds for `z1` and `z2` provided it exceeded the value for the first `z3` threshold. Second, the variables in your model that are assigned thresholds must match ordinal factors in the data. Additionally, free parameters should only be included for thresholds present in your data: including a second freely estimated threshold for `z1` or `z2` in this example would not directly impede model estimation, but would remain at its starting value and count as a free parameter for the purposes of calculating fit statistics.

It is also important to remember that specifying thresholds is not sufficient to get an ordinal data model to run. In addition, the scale of each ordinal variable must be identified just like the scale of a latent variable. The most common method for this involves constraining a ordinal item's mean to zero and either its total or residual variance to a constant value (i.e., one). For variables with two or more thresholds, ordinal variables may also be identified by constraining two thresholds to fixed values. Models that don't identify the scale of their ordinal variables should not converge.

Thresholds may also be expressed in matrix form. This is described in more detail in the matrix version of this chapter.

Users of original or "classic" Mx may recall specifying thresholds not in absolute terms, but as deviations. This method estimated the difference between each threshold for a variable and the previous one, which ensured that thresholds were in the correct order (i.e., that the second threshold for a variable was not lower than the first). While

users may employ this method using `mxAlgebra` as it suits them, OpenMx does not require this technique. Simply specifying a thresholds matrix is typically sufficient to keep thresholds in proper order.

Including Thresholds in Models

If you use `mxThreshold` to specify thresholds, there is nothing left to do prior to running your model. However, if you manually create a threshold matrix, you must also specify the name of this matrix in your expectation function. This is described in more detail in the matrix version of this chapter.

2.7.2 Example: Common Factor Model for Ordinal Data

All of the raw data examples through the documentation may be converted to ordinal examples by the inclusion of ordinal data, the specification of a threshold matrix and inclusion of that threshold matrix in the objective function. The following example is a version of the continuous data common factor model referenced at the beginning of this chapter. Aside from replacing the continuous variables `x1-x6` with the ordinal variables `z1-z3`, the code below simply incorporates the steps referenced above into the existing example. Data preparation occurs first, with the added `mxFactor` statements to identify ordinal variables and their ordered levels.

```
require(OpenMx)

data(myFADataRaw)
oneFactorOrd <- myFADataRaw[,c("z1", "z2", "z3")]

oneFactorOrd$z1 <- mxFactor(oneFactorOrd$z1, levels=c(0, 1))
oneFactorOrd$z2 <- mxFactor(oneFactorOrd$z2, levels=c(0, 1))
oneFactorOrd$z3 <- mxFactor(oneFactorOrd$z3, levels=c(0, 1, 2))
```

Model specification can be achieved by appending the above threshold matrix and objective function to either the path or matrix common factor examples. The path example below has been altered by changing the variable names from `x1-x6` to `z1-z3`, adding the threshold matrix and objective function, and identifying the ordinal variables by constraining their means to be zero and their residual variances to be one.

```
dataRaw      <- mxData( observed=oneFactorOrd, type="raw" )
# residual variances
resVars      <- mxPath( from=c("z1","z2","z3"), arrows=2,
                        free=FALSE, values=c(1,1,1), labels=c("e1","e2","e3") )

# latent variance
latVar       <- mxPath( from="F1", arrows=2,
                        free=TRUE, values=1, labels="varF1" )

# factor loadings
facLoads     <- mxPath( from="F1", to=c("z1","z2","z3"), arrows=1,
                        free=c(FALSE,TRUE,TRUE), values=c(1,1,1), labels=c("l1","l2","l3") )

# means
means        <- mxPath( from="one", to=c("z1","z2","z3","F1"), arrows=1,
                        free=FALSE, values=0, labels=c("meanz1","meanz2","meanz3","meanF") )

# thresholds
thresholds   <- mxThreshold(vars=c("z1","z2","z3"), nThresh=c(1,1,2),
                             free=TRUE, values=c(-1,0,-.5,1.2) )

oneFactorModel <- mxModel("Common Factor Model Path Specification", type="RAM",
                          manifestVars=c("z1","z2","z3"), latentVars="F1",
                          dataRaw, resVars, latVar, facLoads, means, thresholds)
```

This model may then be optimized using the `mxRun` command.

```
oneFactorResults <- mxRun(oneFactorModel)
```

2.7.3 Example: Common Factor Model for Joint Ordinal-Continuous Data

Models with both continuous and ordinal variables may be specified just like any other ordinal data model. Threshold matrices in these models should contain columns only for the ordinal variables, and should contain column names to designate which variables are to be treated as ordinal. In the example below, the one factor model above is estimated with three continuous variables (x1-x3) and three ordinal variables (z1-z3).

```
require(OpenMx)

oneFactorJoint <- myFADDataRaw[,c("x1", "x2", "x3", "z1", "z2", "z3")]

oneFactorJoint$z1 <- mxFactor(oneFactorOrd$z1, levels=c(0, 1))
oneFactorJoint$z2 <- mxFactor(oneFactorOrd$z2, levels=c(0, 1))
oneFactorJoint$z3 <- mxFactor(oneFactorOrd$z3, levels=c(0, 1, 2))

dataRaw <- mxData( observed=oneFactorJoint, type="raw" )
# residual variances
resVars <- mxPath( from=c("x1", "x2", "x3", "z1", "z2", "z3"), arrows=2,
  free=c(TRUE, TRUE, TRUE, FALSE, FALSE, FALSE),
  values=1, labels=c("e1", "e2", "e3", "e4", "e5", "e6") )

# latent variance
latVar <- mxPath( from="F1", arrows=2,
  free=FALSE, values=1, labels="varF1" )

# factor loadings
facLoads <- mxPath( from="F1", to=c("x1", "x2", "x3", "z1", "z2", "z3"), arrows=1,
  free=TRUE, values=1, labels=c("l1", "l2", "l3", "l4", "l5", "l6") )

# means
means <- mxPath( from="one", to=c("x1", "x2", "x3", "z1", "z2", "z3", "F1"), arrows=1,
  free=c(TRUE, TRUE, TRUE, FALSE, FALSE, FALSE, FALSE), values=0,
  labels=c("meanx1", "meanx2", "meanx3", "meanz1", "meanz2", "meanz3", "meanF") )

# thresholds
thresholds <- mxThreshold(vars=c("z1", "z2", "z3"), nThresh=c(1,1,2),
  free=TRUE, values=c(-1,0,-.5,1.2) )

oneFactorJointModel <- mxModel("Common Factor Model Path Specification", type="RAM",
  manifestVars=c("x1", "x2", "x3", "z1", "z2", "z3"), latentVars="F1",
  dataRaw, resVars, latVar, facLoads, means, thresholds)
```

This model may then be optimized using the `mxRun` command.

```
oneFactorJointResults <- mxRun(oneFactorJointModel)
```

2.7.4 Technical Details

Maximum likelihood estimation for ordinal variables by generating expected covariance and mean matrices for the latent continuous variables underlying the set of ordinal variables, then integrating the multivariate normal distribution defined by those covariances and means. The likelihood for each row of the data is defined as the multivariate integral of the expected distribution over the interval defined by the thresholds bordering that row's data. OpenMx uses Alan Genz's SADMVN routine for multivariate normal integration (see <http://www.math.wsu.edu/faculty/genz/software/software.html> for more information).

When continuous variables are present, OpenMx utilizes a block decomposition to separate the continuous and ordinal covariance matrices for FIML. The likelihood of the continuous variables is calculated normally. The effects of the

point estimates of the continuous variables is projected out of the expected covariance matrix of the ordinal data. The likelihood of the ordinal data is defined as the multivariate integral over the distribution defined by the resulting ordinal covariance matrix.

2.8 Growth Mixture Modeling, Path Specification

This example will demonstrate how to specify a growth mixture model using path specification. Unlike other examples, this application will not be demonstrated with covariance data, as this model can only be fit to raw data. The script for this example can be found in the following file:

** http://openmx.psyc.virginia.edu/svn/trunk/demo/GrowthMixtureModel_PathRaw.R

A parallel example using matrix specification can be found here:

** http://openmx.psyc.virginia.edu/svn/trunk/demo/GrowthMixtureModel_MatrixRaw.R

The latent growth curve used in this example is the same one fit in the latent growth curve example. Path and matrix versions of that example for raw data can be found here:

** http://openmx.psyc.virginia.edu/svn/trunk/demo/LatentGrowthCurveModel_PathRaw.R

** http://openmx.psyc.virginia.edu/svn/trunk/demo/LatentGrowthCurveModel_MatrixRaw.R

2.8.1 Mixture Modeling

Mixture modeling is an approach where data are assumed to be governed by some type of mixture distribution. This includes a large class of models, including many varieties of mixture modeling, latent class analysis and related models with binary or categorical latent variables. This example will demonstrate a growth mixture model, where change over time is modeled with a linear growth curve and the distribution of latent intercepts and slopes is governed by a mixture of two distributions. The model can thus be described as a combination of two growth curves, weighted by a class proportion variable, as shown below.

$$x_{ij} = p_1(Intercept_{i1} + \lambda_1 Slope_{i1} + \epsilon) + p_2(Intercept_{i2} + \lambda_2 Slope_{i2} + \epsilon)$$

To scale the class proportion variable as a probability, it must be scaled such that it is strictly positive and the set of all class probabilities sum to a value of one.

$$\sum_{i=1}^k p_i = 1$$

Data

The data for this example can be found in the data object `myGrowthMixtureData`. These data contain five time ordered variables named `x1` through `x5`, just like the growth curve demo mentioned previously. It is important to note that raw data is required for mixture modeling, as moment matrices do not contain all of the information required to estimate the model.

```
data(myGrowthMixtureData)
names(myGrowthMixtureData)
```

Model Specification

Specifying a mixture model can be categorized into two general phases. The first phase of model specification pertains to creating the models for each class. The second phase specifies the way those classes are mixed. In OpenMx, this is done using a model tree. Each class is created as a separate `MxModel` object, and those class-specific models are all placed into a larger or parent model. The parent model contains the class proportion parameter(s) and the data.

Creating the class-specific models is done the same way as every other model. We'll begin by specifying the model for the first class using the `mxPath` function. The code below specifies a five-occasion linear growth curve, virtually identical to the one in the linear growth curve example referenced above. The only changes made to this model are the names of the free parameters; the means, variances and covariance of the intercept and slope terms are now followed by the number 1 to distinguish them from free parameters in the other class.

The fit function for each of the class-specific models must return the likelihoods for each individual rather than the default log likelihood for the entire sample. OpenMx fit functions that handle raw data have the option to return a vector of likelihoods for each row rather than a single likelihood value for the dataset. This option can be accessed as an argument in the fit function `mxFitFunctionML`.

```
# residual variances
resVars      <- mxPath( from=c("x1", "x2", "x3", "x4", "x5"), arrows=2,
                        free=TRUE, values = c(1,1,1,1,1),
                        labels=c("residual", "residual", "residual", "residual", "residual") )

# latent variances and covariance
latVars      <- mxPath( from=c("intercept", "slope"), arrows=2, connect="unique.pairs",
                        free=TRUE, values=c(1, .4, 1), labels=c("vari1", "cov1", "vars1") )

# intercept loadings
intLoads     <- mxPath( from="intercept", to=c("x1", "x2", "x3", "x4", "x5"), arrows=1,
                        free=FALSE, values=c(1,1,1,1,1) )

# slope loadings
sloLoads     <- mxPath( from="slope", to=c("x1", "x2", "x3", "x4", "x5"), arrows=1,
                        free=FALSE, values=c(0,1,2,3,4) )

# manifest means
manMeans     <- mxPath( from="one", to=c("x1", "x2", "x3", "x4", "x5"), arrows=1,
                        free=FALSE, values=c(0,0,0,0,0) )

# latent means
latMeans     <- mxPath( from="one", to=c("intercept", "slope"), arrows=1,
                        free=TRUE, values=c(0, -1), labels=c("mean1", "means1") )

# enable the likelihood vector
funML        <- mxFitFunctionML(vector=TRUE)
class1       <- mxModel("Class1", type="RAM",
                        manifestVars=c("x1", "x2", "x3", "x4", "x5"),
                        latentVars=c("intercept", "slope"),
                        resVars, latVars, intLoads, sloLoads, manMeans, latMeans,
                        funML)
```

We could create the model for our second class by copy and pasting the code above, but that can yield needlessly long scripts. We can also use the `mxModel` function to edit an existing model object, allowing us to change only the parameters that vary across classes. The `mxModel` call below begins with an existing `MxModel` object (`class1`) rather than a model name. The subsequent `mxPath` functions add new paths to the model, replacing any existing paths that describe the same relationship. As we did not give the model a name at the beginning of the `mxModel` function, we must use the name argument to identify this model by name.

```
# latent variances and covariance
latVars2     <- mxPath( from=c("intercept", "slope"), arrows=2, connect="unique.pairs",
                        free=TRUE, values=c(1, .5, 1), labels=c("vari2", "cov2", "vars2") )

# latent means
latMeans2    <- mxPath( from="one", to=c("intercept", "slope"), arrows=1,
                        free=TRUE, values=c(5, 1), labels=c("mean2", "means2") )
```

```
class2      <- mxModel(class1, name="Class2", latVars2, latMeans2)
```

While the class-specific models can be specified using either path or matrix specification, the class proportion parameters must be specified using a matrix, though it can be specified a number of different ways. The challenge of specifying class probabilities lies in their inherent constraint: class probabilities must be non-negative and sum to unity. The code below demonstrates one method of specifying class proportion parameters and rescaling them as probabilities.

This method for specifying class probabilities consists of two parts. In the first part, the matrix in the object `classP` contains two elements representing the class proportions for each class. One class is designated as a reference class by fixing their proportion at a value of one (class 2 below). All other classes are assigned free parameters in this matrix, and should be interpreted as proportion of sample in that class per person in the reference class. These parameters should have a lower bound at or near zero. Specifying class proportions rather than class probabilities avoids the degrees of freedom issue inherent to class probability parameters by only estimating $k-1$ parameters for k classes.

```
classP      <- mxMatrix( type="Full", nrow=2, ncol=1,
                        free=c(TRUE, FALSE), values=1, lbound=0.001,
                        labels = c("p1", "p2"), name="Props" )
```

We still need probabilities, which require the second step shown below. Dividing the class proportion matrix above by its sum will rescale the proportions into probabilities. This is slightly more difficult than it appears at first, as the $k \times 1$ matrix of class proportions and the scalar sum of that matrix aren't conformable to either matrix or element-wise operations. Instead, we can use a Kronecker product of the class proportion matrix and the inverse of the sum of that matrix. This operation is carried out by the `mxAlgebra` function placed in the object `classS` below.

```
classS      <- mxAlgebra( Props%x%(1/sum(Props)), name="classProbs" )
```

There are several alternatives to the two functions above that merit discussion. While the `mxConstraint` function would appear at first to be a simpler way to specify the class probabilities, but using the `mxConstraint` function complicates this type of model estimation. When all k class probabilities are freely estimated then constrained, then the class probability parameters are collinear, creating a parameter covariance matrix that is not of full rank. This prevents OpenMx from calculating standard errors for any model parameters. Additionally, there are multiple ways to use algebras different than the one above to specify the class proportion and/or class probability parameters, each varying in complexity and utility. While specifying models with two classes can be done slightly more simply than presented here, the above method is equally appropriate for all numbers of classes.

Finally, we can specify the mixture model. We must first specify the model's $-2 \log$ likelihood function defined as:

$$-2LL = -2 * \sum_{i=1}^n \sum_{k=1}^m \log(p_k l_{ki})$$

This is specified using an `mxAlgebra` function, and used as the argument to the `mxFitFunctionAlgebra` function. Then the fit function, matrices and algebras used to define the mixture distribution, the models for the respective classes and the data are all placed in one final `mxModel` object, shown below.

```
algFit      <- mxAlgebra( -2*sum(log(classProbs[1,1]%x%Class1.fitfunction
                                + classProbs[2,1]%x%Class2.fitfunction)),
                        name="mixtureObj")
fit         <- mxFitFunctionAlgebra("mixtureObj")
dataRaw    <- mxData( observed=myGrowthMixtureData, type="raw" )

gmm        <- mxModel("Growth Mixture Model",
                    dataRaw, class1, class2, classP, classS, algFit, fit )

gmmFit     <- mxRun(gmm, suppressWarnings=TRUE)

summary(gmmFit)
```

Multiple Runs: Serial Method

The results of a mixture model can sometimes depend on starting values. It is a good idea to run a mixture model with a variety of starting values to make sure results you find are not the result of a local minimum in the likelihood space. This section will describe a serial (i.e., running one model at a time) method for randomly generating starting values and re-running a model, which is appropriate for a wide range of methods. The next section will cover parallel (multiple models simultaneously) estimation procedures. Both of these examples are available in the `GrowthMixtureModelRandomStarts` demo.

** <http://openmx.psyc.virginia.edu/svn/trunk/demo/GrowthMixtureModelRandomStarts.R>

One way to access the starting values in a model is by using the `omxGetParameters` function. This function takes an existing model as an argument and returns the names and values of all free parameters. Using this function on our growth mixture model, which is stored in an object called `gmm`, gives us back the starting values we specified above.

```
omxGetParameters(gmm)
#      p1 residual      vari1      cov1      vars1      meani1      means1
#      1.0      1.0      1.0      0.4      1.0      0.0      -1.0
#      vari2      cov2      vars2      meani2      means2
#      1.0      0.5      1.0      5.0      1.0
```

A companion function to `omxGetParameters` is `omxSetParameters`, which can be used to alter one or more named parameters in a model. This function can be used to change the values, freedom and labels of any parameters in a model, returning an `MxModel` object with the specified changes. The code below shows how to change the residual variance starting value from 1.0 to 0.5. Note that the output of the `omxSetParameters` function is placed back into the object `gmm`.

```
gmm <- omxSetParameters(gmm, labels="residual", values=0.5)
```

The `MxModel` in the object `gmm` can now be run and the results compared with other sets of starting values. Starting values can also be sampled from distributions, allowing users to automate starting value generation, which is demonstrated below. The `omxGetParameters` function is used to find the names of the free parameters and define three matrices: a matrix `input` that holds the starting values for any run; a matrix `output` that holds the converged values of each parameter; and a matrix `fit` that contains the -2 log likelihoods and other relevant model fit statistics. Each of these matrices contains one row for every set of starting values. Starting values are randomly generated from a set of uniform distributions using the `runif` function, allowing the ranges inherent to each parameter to be enforced (i.e., variances are positive, etc). A `for` loop repeatedly runs the model with starting values from the `input` matrix and places the final estimates and fit statistics in the `output` and `fit` matrices, respectively.

```
# how many trials?
trials <- 20

# place all of the parameter names in a vector
parNames <- names(omxGetParameters(gmm))

# make a matrix to hold all of the
input <- matrix(NA, trials, length(parNames))
dimnames(input) <- list(c(1: trials), c(parNames))

output <- matrix(NA, trials, length(parNames))
dimnames(output) <- list(c(1: trials), c(parNames))

fit <- matrix(NA, trials, 5)
dimnames(fit) <- list(c(1:trials), c("Minus2LL", "Status", "Iterations", "pclass1", "time"))

# populate the class probabilities
input[, "p1"] <- runif(trials, 0.1, 0.9)
input[, "p1"] <- input[, "p1"] / (1 - input[, "p1"])
```

```
# populate the variances
v <- c("vari1", "vars1", "vari2", "vars2", "residual")
input[,v] <- runif(trials*5, 0, 10)

# populate the means
m <- c("mean1", "means1", "mean2", "means2")
input[,m] <- runif(trials*4, -5, 5)

# populate the covariances
r <- runif(trials*2, -0.9, 0.9)
scale <- c( sqrt(input[, "vari1"]*input[, "vars1"]), sqrt(input[, "vari2"]*input[, "vars2"]))
input[,c("cov1", "cov2")] <- r * scale

for (i in 1: trials){
  temp1 <- omxSetParameters(gmm,
    labels=parNames,
    values=input[i,]
  )

  temp1$name <- paste("Starting Values Set", i)
  temp2 <- mxRun(temp1, unsafe=TRUE, suppressWarnings=TRUE, checkpoint=TRUE)

  output[i,] <- omxGetParameters(temp2)
  fit[i,] <- c(
    temp2$output$Minus2LogLikelihood,
    temp2$output$status[[1]],
    temp2$output$iterations,
    round(temp2$classProbs$result[1,1], 4),
    temp2$output$wallTime
  )
}
```

Viewing the contents of the fit matrix shows the -2 log likelihoods for each of the runs, as well as the convergence status, number of iterations and class probabilities, shown below.

```
fit[,1:4]
#      Minus2LL Status Iterations  pclass1
#  1  8739.050     0          41 0.3991078
#  2  8739.050     0          40 0.6008913
#  3  8739.050     0          44 0.3991078
#  4  8739.050     1          31 0.3991079
#  5  8739.050     0          32 0.3991082
#  6  8739.050     1          34 0.3991089
#  7  8966.628     0          22 0.9990000
#  8  8966.628     0          24 0.9990000
#  9  8966.628     0          23 0.0010000
# 10  8966.628     1          36 0.0010000
# 11  8963.437     6          25 0.9990000
# 12  8966.628     0          28 0.9990000
# 13  8739.050     1          47 0.6008916
# 14  8739.050     1          36 0.3991082
# 15  8739.050     0          43 0.3991076
# 16  8739.050     0          46 0.6008948
# 17  8739.050     1          50 0.3991092
# 18  8945.756     6          50 0.9902127
# 19  8739.050     0          53 0.3991085
# 20  8966.628     0          23 0.9990000
```


There are several things to note about the above results. First, the minimum -2 log likelihood was reached in 12 of 20 sets of starting values, all with NPSOL statuses of either zero (seven times) or one (five times). Additionally, the class probabilities are equivalent within five digits of precision, keeping in mind that no the model as specified contains no restriction as to which class is labeled “class 1” (probability equals .3991) and “class 2” (probability equals .6009). The other eight sets of starting values showed higher -2 log likelihood values and class probabilities at the set upper or lower bounds, indicating a local minimum. We can also view this information using R’s `table` function.

```
table(round(fit[,1], 3), fit[,2])
```

```
#           0 1 6
# 8739.05  7 5 0
# 8945.756 0 0 1
# 8963.437 0 0 1
# 8966.628 5 1 0
```

We should have a great deal of confidence that the solution with class probabilities of .399 and .601 is the correct one.

Multiple Runs: Parallel Method

OpenMx supports multicore processing through the `snowfall` library, which is described in the “Multicore Execution” section of the documentation and in the following demo:

```
** http://openmx.psyc.virginia.edu/svn/trunk/demo/BootstrapParallel.R
```

Using multiple processors can greatly improve processing time for model estimation when a model contains independent submodels. While the growth mixture model in this example does contain submodels (i.e., the class specific models), they are not independent, as they both depend on a set of shared parameters (“residual”, “pclass1”).

However, multicore estimation can be used instead of the `for` loop in the above section for testing alternative sets of starting values. Instead of changing the starting values in the `gmm` object repeatedly, multiple copies of the model contained in `gmm` must be placed into parent or container model. Either the above `for` loop or a set of “apply” statements can be used to generate the model.

The example below first initializes the `snowfall` library, which also loads the `snow` library. The `sfInit` function initializes parallel; you must supply the number of processors on your computer or grid for the analysis, then reload OpenMx as a `snowfall` library.

```
require(snowfall)
sfInit(parallel=TRUE, cpus=4)
sfLibrary(OpenMx)
```

From there, parallel optimization requires that a holder or top model (named “Top” in the object `topModel` below) contain a set of independent submodels. In our example, each independent submodel will consist of a copy of the above `gmm` model with a different set of starting values. Using the matrix of starting values from the serial example above (`input`), we can create a function called `makeModel` that can be used to create these submodels. While this function is entirely optional, it allows us to use the `lapply` function to create a list of submodels for optimization. Once those submodels are placed in the `submodels` slot of the object `topModel`, we can run this model just like any other. A second function, `fitStats`, can then be used to get the results from each submodel.

```
topModel <- mxModel("Top")

makeModel <- function(modelNumber) {
  temp <- mxModel(gmm, independent=TRUE, name=paste("Iteration", modelNumber, sep=""))
  temp <- omxSetParameters(temp, labels=parNames, values=input[modelNumber,])
  return(temp)
}

mySubs <- lapply(1:20, makeModel)
```

```
topModel$submodels <- mySubs

results      <- mxRun(topModel)

fitStats     <- function(model){
  retval     <- c(
    model$output$Minus2LogLikelihood,
    model$output$status[[1]],
    model$output$iterations,
    round(model$classProbs$result[1,1], 4)
  )
  return(retval)
}

resultsFit   <- t(omxSapply(results$submodels, fitStats))
sfStop()
```

This parallel method saves computational time, but requires additional coding. For models as small as the one in this example (total processing time of approximately 2 seconds), the speed-up from using the parallel version is marginal (approximately 35-50 seconds for the serial method against 20-30 seconds for the parallel version). However, as models get more complex or require a greater number of random starts, the parallel method can provide substantial time savings. Regardless of method, re-running models with varying starting values is an essential part of running multivariate models.

EXAMPLES, MATRIX SPECIFICATION

3.1 Regression, Matrix Specification

Our next example will show how regression can be carried out from structural modeling perspective. This example is in three parts; a simple regression, a multiple regression, and multivariate regression. There are two versions of each example are available; one where the data is supplied as a covariance matrix and vector of means, and one with raw data. These examples are available in the following files: Parallel versions of this example, using matrix specification of models rather than paths, can be found here:

- http://openmx.psyc.virginia.edu/svn/trunk/demo/SimpleRegression_MatrixCov.R
- http://openmx.psyc.virginia.edu/svn/trunk/demo/SimpleRegression_MatrixRaw.R
- http://openmx.psyc.virginia.edu/svn/trunk/demo/MultipleRegression_MatrixCov.R
- http://openmx.psyc.virginia.edu/svn/trunk/demo/MultipleRegression_MatrixRaw.R
- http://openmx.psyc.virginia.edu/svn/trunk/demo/MultivariateRegression_MatrixCov.R
- http://openmx.psyc.virginia.edu/svn/trunk/demo/MultivariateRegression_MatrixRaw.R

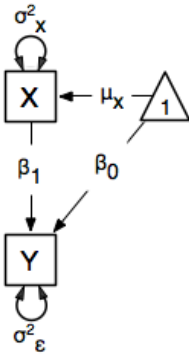
This example will focus on the RAM approach to building structural models. A parallel version of this example, using path-centric rather than matrix specification, is available here:

- http://openmx.psyc.virginia.edu/svn/trunk/demo/SimpleRegression_PathCov.R
- http://openmx.psyc.virginia.edu/svn/trunk/demo/SimpleRegression_PathRaw.R
- http://openmx.psyc.virginia.edu/svn/trunk/demo/MultipleRegression_PathCov.R
- http://openmx.psyc.virginia.edu/svn/trunk/demo/MultipleRegression_PathRaw.R
- http://openmx.psyc.virginia.edu/svn/trunk/demo/MultivariateRegression_PathCov.R
- http://openmx.psyc.virginia.edu/svn/trunk/demo/MultivariateRegression_PathRaw.R

3.1.1 Simple Regression

We begin with a single dependent variable (y) and a single independent variable (x). The relationship between these variables takes the following form:

$$y = \beta_0 + \beta_1 * x + \epsilon$$



In this model, the mean of y is dependent on both regression coefficients (and by extension, the mean of x). The variance of y depends on both the residual variance and the product of the regression slope and the variance of x . This model contains five parameters from a structural modeling perspective β_0 , β_1 , σ_ϵ^2 , and the mean and variance of x . We are modeling a covariance matrix with three degrees of freedom (two variances and one covariance) and a means vector with two degrees of freedom (two means). Because the model has as many parameters (5) as the data have degrees of freedom, this model is fully saturated.

Data

Our first step to running this model is to include the data to be analyzed. The data must first be placed in a variable or object. For raw data, this can be done with the `read.table` function. The data provided has a header row, indicating the names of the variables.

```
data(myRegDataRaw)
```

The names of the variables provided by the header row can be displayed with the `names()` function.

```
names(myRegDataRaw)
```

As you can see, our data has four variables in it. However, our model only contains two variables, x and y . To use only them, we will select only the variables we want and place them back into our data object. That can be done with the R code below.

```
SimpleDataRaw <- myRegDataRaw[,c("x", "y")]
```

For covariance data, we do something very similar. We create an object to house our data. Instead of reading in raw data from an external file, we can include a covariance matrix. This requires the `matrix()` function, which needs to know what values are in the covariance matrix, how big it is, and what the row and column names are (in `dimnames`). As our model also references means, we will include a vector of means in a separate object. Data is selected in the same way as before.

```
myRegDataCov <- matrix(
  c(0.808, -0.110, 0.089, 0.361,
    -0.110, 1.116, 0.539, 0.289,
    0.089, 0.539, 0.933, 0.312,
    0.361, 0.289, 0.312, 0.836), nrow=4,
  dimnames=list( c("w", "x", "y", "z"), c("w", "x", "y", "z")))
)
```

```
SimpleDataCov <- myRegDataCov[c("x", "y"), c("x", "y")]
```

```
myRegDataMeans <- c(2.582, 0.054, 2.574, 4.061)
names(myRegDataMeans) <- c("w", "x", "y", "z")
```

```
SimpleDataMeans <- myRegDataMeans[c(2,3)]
```

Model Specification

The following code contains all of the components of our model. Before running a model, the OpenMx library must be loaded into R using either the `require()` or `library()` function. All objects required for estimation (data, paths, and a model type) are included in their own arguments or functions. This code uses the `mxModel` function to create an `MxModel` object, which we will then run.

```
require(OpenMx)

dataRaw      <- mxData( observed=SimpleDataRaw, type="raw" )
matrA        <- mxMatrix( type="Full", nrow=2, ncol=2,
                          free=c(F,F,T,F), values=c(0,0,1,0),
                          labels=c(NA,NA,"beta1",NA), byrow=TRUE, name="A" )
matrS        <- mxMatrix( type="Symm", nrow=2, ncol=2,
                          free=c(T,F,F,T), values=c(1,0,0,1),
                          labels=c("varx",NA,NA,"residual"), byrow=TRUE, name="S" )
matrF        <- mxMatrix( type="Iden", nrow=2, ncol=2, name="F" )
matrM        <- mxMatrix( type="Full", nrow=1, ncol=2,
                          free=c(T,T), values=c(0,0),
                          labels=c("meanx","beta0"), name="M" )
expRAM       <- mxExpectationRAM("A","S","F","M", dimnames=c("x","y"))
funML        <- mxFitFunctionML()
uniRegModel  <- mxModel("Simple Regression Matrix Specification",
                        dataRaw, matrA, matrS, matrF, matrM, expRAM, funML)
```

This `mxModel` function can be split into several parts. First, we give the model a title. The first argument in an `mxModel` function has a special function. If an object or variable containing an `MxModel` object is placed here, then `mxModel` adds to or removes pieces from that model. If a character string (as indicated by double quotes) is placed first, then that becomes the name of the model. Models may also be named by including a name argument. This model is named `Simple Regression Matrix Specification`.

The second component of our code creates an `MxData` object. The example above, reproduced here, first references the object where our data is, then uses the `type` argument to specify that this is raw data.

```
dataRaw      <- mxData( observed=SimpleDataRaw, type="raw" )
```

If we were to use a covariance matrix and vector of means as data, we would replace the existing `mxData` function with this one:

```
dataCov      <- mxData( observed=SimpleDataCov, type="cov", numObs=100,
                        means=SimpleDataMeans )
```

The next four functions specify the four matrices that make up the RAM specified model. Each of these matrices defines part of the relationship between the observed variables. These matrices are then combined by the expectation function, which follows the four `mxMatrix` functions, to define the expected covariances and means for the supplied data. In all of the included matrices, the order of variables matches those in the data. Therefore, the first row and column of all matrices corresponds to the x variable, while the second row and column of all matrices corresponds to the y variable.

The **A** matrix is created first. This matrix specifies all of the asymmetric paths or regressions among the variables. A free parameter in the **A** matrix defines a regression of the variable represented by that row on the variable represented by that column. For clarity, all matrices are specified with the `byrow` argument set to `TRUE`, which allows better correspondence between the matrices as displayed below and their position in `mxMatrix` objects. In the section of code below, a free parameter is specified as the regression of y on x , with a starting value of 1, and a label of "beta1". This matrix is named "A".

```
# asymmetric paths
matrA      <- mxMatrix( type="Full", nrow=2, ncol=2,
                        free=c(F,F,T,F), values=c(0,0,1,0),
                        labels=c(NA,NA, "beta1", NA), byrow=TRUE, name="A" )
```

The second `mxMatrix` function specifies the **S** matrix. This matrix specifies all of the symmetric paths or covariances among the variables. By definition, this matrix is symmetric, but all elements are specified in the matrix below. It is also possible to just specify the unique elements, being the elements on the diagonal and below (or above). A free parameter in the **S** matrix represents a variance or covariance between the variables represented by the row and column that parameter is in. In the code below, two free parameters are specified. The free parameter in the first row and column of the **S** matrix is the variance of x (labeled "varx"), while the free parameter in the second row and column is the residual variance of y (labeled "residual"). This matrix is named "S".

```
# symmetric paths
matrS      <- mxMatrix( type="Symm", nrow=2, ncol=2,
                        free=c(T,F,F,T), values=c(1,0,0,1),
                        labels=c("varx", NA,NA, "residual"), byrow=TRUE, name="S" )
```

The third `mxMatrix` function specifies the **F** matrix. This matrix is used to filter latent variables out of the expected covariance of the manifest variables, or to reorder the manifest variables. When there are no latent variables in a model and the order of manifest variables is the same in the model as in the data, then this filter matrix is simply an identity matrix.

There are no free parameters in any **F** matrix.

```
# filter matrix
matrF      <- mxMatrix( type="Iden", nrow=2, ncol=2, name="F" )
matrM      <- mxMatrix( type="Full", nrow=1, ncol=2,
                        free=c(T,T), values=c(0,0),
                        labels=c("meanx", "beta0"), name="M")
```

The fourth and final `mxMatrix` function specifies the **M** matrix. This matrix is used to specify the means and intercepts of our model. Exogenous or independent variables receive means, while endogenous or dependent variables get intercepts, or means conditional on regression on other variables. This matrix contains only one row. This matrix consists of two free parameters; the mean of x (labeled "meanx") and the intercept of y (labeled "beta0"). This matrix gives starting values of 1 for both parameters, and is named "M".

```
# means
matrM      <- mxMatrix( type="Full", nrow=1, ncol=2,
                        free=c(T,T), values=c(0,0),
                        labels=c("meanx", "beta0"), name="M")
```

The final parts of this model are the expectation and fit functions. These define how the specified matrices combine to create the expected covariance matrix and the expected means of the data, and the fit function to be minimized, respectively. In a RAM specified model, the expected covariance matrix is defined as:

$$ExpCovariance = F * (I - A)^{-1} * S * ((I - A)^{-1})' * F'$$

The expected means are defined as:

$$ExpMean = F * (I - A)^{-1} * M$$

The free parameters in the model can then be estimated using maximum likelihood for covariance and means data, and full information maximum likelihood for raw data. Although users may define their own expected covariance matrices using `mxExpectationNormal` and other functions in OpenMx, the `mxExpectationRAM` function computes the expected covariance and means matrices when the **A**, **S**, **F** and **M** matrices are specified. The **M** matrix is required both for raw data and for covariance or correlation data that includes a means vector. The `mxExpectationRAM` function takes four arguments, which are the names of the **A**, **S**, **F** and **M** matrices in your model. The `mxFitFunctionML`

yields maximum likelihood estimates of structural equation models. It uses full information maximum likelihood when the data are raw.

```
expRAM      <- mxExpectationRAM("A", "S", "F", "M", dimnames=c("x", "y"))
funML       <- mxFitFunctionML()
```

The model now includes an observed covariance matrix (i.e., data), model matrices, an expectation function, and a fit function. So the model has all the required elements to define the expected covariance matrix and estimate parameters.

Model Fitting

We've created an `MxModel` object, and placed it into an object or variable named `uniRegModel`. We can run this model by using the `mxRun` function, which is placed in the object `uniRegFit` in the code below. We then view the output by referencing the `output` slot, as shown here.

```
uniRegFit <- mxRun(uniRegModel)
```

The `@output` slot contains a great deal of information, including parameter estimates and information about the matrix operations underlying our model. A more parsimonious report on the results of our model can be viewed using the `summary()` function, as shown here.

```
uniRegFit$output
summary(uniRegFit)
```

Alternative Specification

Rather than using the RAM approach the regression model with matrices can also be specified differently and more directly comparable to the regression equation. This approach uses a special kind of variable, called a definition variable, which will be explained in more detail in *Definition Variables, Matrix Specification*. Below is the complete code.

```
selVars <- c("y")

dataRaw      <- mxData( observed=SimpleDataRaw, type="raw" )
dataX        <- mxMatrix( type="Full", nrow=1, ncol=1,
                        free=FALSE, labels=c("data.x"), name="X" )
intercept    <- mxMatrix( type="Full", nrow=1, ncol=1,
                        free=T, values=0, labels="beta0", name="intercept" )
regCoef      <- mxMatrix( type="Full", nrow=1, ncol=1,
                        free=T, values=1, labels="beta1", name="regCoef" )
resVar       <- mxMatrix( type="Diag", nrow=1, ncol=1,
                        free=T, values=1, labels="residual", name="resVar" )
expMean      <- mxAlgebra( expression= intercept + regCoef %*% X, name="expMean" )
expCov       <- mxAlgebra( expression= resVar, name="expCov" )
exp          <- mxExpectationNormal( covariance="expCov", means="expMean",
                                dimnames=selVars )
funML        <- mxFitFunctionML()

uniRegModel <- mxModel("Simple Regression Matrix Specification",
                      dataRaw, dataX, intercept, regCoef, resVar,
                      expMean, expCov, exp, funML )
```

Note the the `mxData` statement has not changed. The first key change is that we put the variable `x` in a matrix `X` by using a special type of label assignment in an `mxMatrix` statement. The matrix is a Full **1x1** fixed matrix. The label has two parts: the first part is called `data.` which indicates that the name used in the second part (`x`) is a variable

found in the dataset referred to in the `mxData` statement. This variable can now be used as part of any algebra, and is no longer considered a dependent variable.

```
dataRaw    <- mxData( observed=SimpleDataRow, type="raw" )
dataX      <- mxMatrix( type="Full", nrow=1, ncol=1,
                        free=FALSE, labels=c("data.x"), name="X" )
```

Next, we specify three matrices, one for the intercept, one for the regression coefficient, and one for the residual variance. In this example, the first two matrices are Full **1x1** matrices with a free element. We give them labels consistent with their names in a regression equation, namely `beta0` and `beta1`. The third matrix is a Diag **1x1** matrix with a free element for the residual variance, named `resVar`.

```
intercept  <- mxMatrix( type="Full", nrow=1, ncol=1,
                        free=T, values=0, labels="beta0", name="intercept" )
regCoef    <- mxMatrix( type="Full", nrow=1, ncol=1,
                        free=T, values=1, labels="beta1", name="regCoef" )
resVar     <- mxMatrix( type="Diag", nrow=1, ncol=1,
                        free=T, values=1, labels="residual", name="resVar" )
```

Now we can explicitly specify the formula for the expected means and covariances using `mxAlgebra` statement. Note that we here use the variable in the matrix **X** as part of the algebra. We regress *y* on *x* in the means model and simply have the residual variance in the covariance model.

```
expMean    <- mxAlgebra( expression= intercept + regCoef %*% X, name="expMean" )
expCov     <- mxAlgebra( expression= resVar, name="expCov" )
```

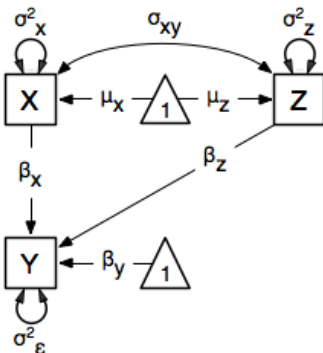
Finally, we call up the results of the algebras as the arguments for the expectation function. The `dimnames` map the data to the model. Note that `selVars` now includes only the *y* variable. The fit function declares that the model is fit using maximum likelihood. When combine with raw data this mean full information maximum likelihood (FIML) is optimized.

```
exp        <- mxExpectationNormal( covariance="expCov", means="expMean", dimnames=selVars )
funML     <- mxFitFunctionML()
```

3.1.2 Multiple Regression

In the next part of this demonstration, we move to multiple regression. The regression equation for our model looks like this:

$$y = \beta_0 + \beta_x * x + \beta_z * z + \epsilon$$



Our dependent variable *y* is now predicted from two independent variables, *x* and *z*. Our model includes 3 regression parameters (β_0 , β_x , β_z), a residual variance (σ_ϵ^2) and the observed means, variances and covariance of *x* and *z*, for a total of 9 parameters. Just as with our simple regression, this model is fully saturated.

We prepare our data the same way as before, selecting three variables instead of two.

```
MultipleDataRow <- myRegDataRow[,c("x", "y", "z")]
MultipleDataCov <- myRegDataCov[c("x", "y", "z"),c("x", "y", "z")]
MultipleDataMeans <- myRegDataMeans[c(2, 3, 4)]
```

Now, we can move on to our code. It is identical in structure to our simple regression code, containing the same **A**, **S**, **F** and **M** matrices. With the addition of a third variables, the **A**, **S** and **F** matrices become **3x3**, while the **M** matrix becomes a **1x3** matrix.

```
dataRaw <- mxData( observed=MultipleDataRow, type="raw" )
matrA <- mxMatrix( type="Full", nrow=3, ncol=3,
  free= c(F,F,F, T,F,T, F,F,F),
  values=c(0,0,0, 1,0,1, 0,0,0),
  labels=c(NA,NA,NA, "betax", NA, "betaz", NA, NA, NA),
  byrow=TRUE, name="A" )
matrS <- mxMatrix( type="Symm", nrow=3, ncol=3,
  free=c(T,F,T, F,T,F, T,F,T),
  values=c(1,0,.5, 0,1,0, .5,0,1),
  labels=c("varx", NA, "covxz", NA, "residual", NA, "covxz", NA, "varz"),
  byrow=TRUE, name="S" )
matrF <- mxMatrix( type="Iden", nrow=3, ncol=3, name="F" )
matrM <- mxMatrix( type="Full", nrow=1, ncol=3,
  free=c(T,T,T), values=c(0,0,0),
  labels=c("meanx", "beta0", "meanz"), name="M" )
exp <- mxExpectationRAM("A", "S", "F", "M", dimnames=c("x", "y", "z") )
funML <- mxFitFunctionML()
multiRegModel <- mxModel("Multiple Regression Matrix Specification",
  dataRaw, matrA, matrS, matrF, matrM, exp, funML)
```

The `mxData` function now takes a different data object (`MultipleDataRow` replaces `SingleDataRow`, adding an additional variable), but is otherwise unchanged. The `mxExpectationRAM` and `mxFitFunctionML` do not change. The only differences between this model and the simple regression script can be found in the **A**, **S**, **F** and **M** matrices, which have expanded to accommodate a second independent variable.

The **A** matrix now contains two free parameters, representing the regressions of the dependent variable *y* on both *x* and *z*. As regressions appear on the row of the dependent variable and the column of the independent variable, these two parameters are both on the second (*y*) row of the **A** matrix.

```
# asymmetric paths
matrA <- mxMatrix( type="Full", nrow=3, ncol=3,
  free= c(F,F,F, T,F,T, F,F,F),
  values=c(0,0,0, 1,0,1, 0,0,0),
  labels=c(NA,NA,NA, "betax", NA, "betaz", NA, NA, NA),
  byrow=TRUE, name="A" )
```

We've made a similar changes in the other matrices. The **S** matrix includes not only a variance term for the *z* variable, but also a covariance between the two independent variables. The **F** matrix still does not contain free parameters, but has expanded in size. The **M** matrix includes an additional free parameter for the mean of *z*.

The model is run and output is viewed just as before, using the `mxRun` function, `@output` and the `summary()` function to run, view and summarize the completed model.


```

labels=c("residualw", NA, NA, NA,
         NA, "varx", NA, "covxz",
         NA, NA, "residualy", NA,
         NA, "covxz", NA, "varz"),
byrow=TRUE, name="S" )
matrF <- mxMatrix( type="Iden", nrow=4, ncol=4, name="F" )
matrM <- mxMatrix( type="Full", nrow=1, ncol=4,
                  free=c(T, T, T, T), values=c(0,0,0,0),
                  labels=c("betaw", "meanx", "betay", "meanz"), name="M" )
exp <- mxExpectationRAM("A", "S", "F", "M", dimnames=c("w", "x", "y", "z" ) )
funML <- mxFitFunctionML()
multivariateRegModel <- mxModel("Multiple Regression Matrix Specification",
                               dataRaw, matrA, matrS, matrF, matrM, exp, funML)

```

The only additional components to our `mxMatrix` functions are the inclusion of the w variable, which becomes the first row and column of all matrices. The model is run and output is viewed just as before, using the `mxRun` function, `@output` and the `summary()` function to run, view and summarize the completed model.

These models may also be specified using paths instead of matrices. See *Regression, Path Specification* for path specification of these models.

3.2 Factor Analysis, Matrix Specification

This example will demonstrate latent variable modeling via the common factor model using RAM matrices for model specification. We'll walk through two applications of this approach: one with a single latent variable, and one with two latent variables. As with previous examples, these two applications are split into four files, with each application represented separately with raw and covariance data. These examples can be found in the following files:

- http://openmx.psyc.virginia.edu/svn/trunk/demo/OneFactorModel_MatrixCov.R
- http://openmx.psyc.virginia.edu/svn/trunk/demo/OneFactorModel_MatrixRaw.R
- http://openmx.psyc.virginia.edu/svn/trunk/demo/TwoFactorModel_MatrixCov.R
- http://openmx.psyc.virginia.edu/svn/trunk/demo/TwoFactorModel_MatrixRaw.R

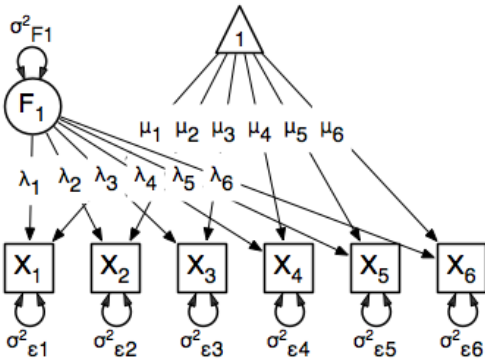
Parallel versions of this example, using path-centric specification of models rather than matrices, can be found here:

- http://openmx.psyc.virginia.edu/svn/trunk/demo/OneFactorModel_PathCov.R
- http://openmx.psyc.virginia.edu/svn/trunk/demo/OneFactorModel_PathRaw.R
- http://openmx.psyc.virginia.edu/svn/trunk/demo/TwoFactorModel_PathCov.R
- http://openmx.psyc.virginia.edu/svn/trunk/demo/TwoFactorModel_PathRaw.R

3.2.1 Common Factor Model

The common factor model is a method for modeling the relationships between observed variables believed to measure or indicate the same latent variable. While there are a number of exploratory approaches to extracting latent factor(s), this example uses structural modeling to fit confirmatory factor models. The model for any person and path diagram of the common factor model for a set of variables $x_1 - x_6$ are given below.

$$x_{ij} = \mu_j + \lambda_j * \eta_i + \epsilon_{ij}$$



While 19 parameters are displayed in the equation and path diagram above (6 manifest variances, six manifest means, six factor loadings and one factor variance), we must constrain either the factor variance or one factor loading to a constant to identify the model and scale the latent variable. As such, this model contains 18 parameters. Unlike the manifest variable examples we've run up until now, this model is not fully saturated. The means and covariance matrix for six observed variables contain 27 degrees of freedom, and thus our model contains 9 degrees of freedom.

Data

Our first step to running this model is to include the data to be analyzed. The data for this example contain nine variables. We'll select the six we want for this model using the selection operators used in previous examples. Both raw and covariance data are included below, but only one is required for any model.

```
data(myFADataRaw)
names(myFADataRaw)

oneFactorRaw <- myFADataRaw[,c("x1", "x2", "x3", "x4", "x5", "x6")]

myFADataCov <- matrix(
  c(0.997, 0.642, 0.611, 0.672, 0.637, 0.677, 0.342, 0.299, 0.337,
    0.642, 1.025, 0.608, 0.668, 0.643, 0.676, 0.273, 0.282, 0.287,
    0.611, 0.608, 0.984, 0.633, 0.657, 0.626, 0.286, 0.287, 0.264,
    0.672, 0.668, 0.633, 1.003, 0.676, 0.665, 0.330, 0.290, 0.274,
    0.637, 0.643, 0.657, 0.676, 1.028, 0.654, 0.328, 0.317, 0.331,
    0.677, 0.676, 0.626, 0.665, 0.654, 1.020, 0.323, 0.341, 0.349,
    0.342, 0.273, 0.286, 0.330, 0.328, 0.323, 0.993, 0.472, 0.467,
    0.299, 0.282, 0.287, 0.290, 0.317, 0.341, 0.472, 0.978, 0.507,
    0.337, 0.287, 0.264, 0.274, 0.331, 0.349, 0.467, 0.507, 1.059),
  nrow=9,
  dimnames=list(
    c("x1", "x2", "x3", "x4", "x5", "x6", "y1", "y2", "y3"),
    c("x1", "x2", "x3", "x4", "x5", "x6", "y1", "y2", "y3")),
)

oneFactorCov <- myFADataCov[c("x1", "x2", "x3", "x4", "x5", "x6"),
  c("x1", "x2", "x3", "x4", "x5", "x6")]

myFADataMeans <- c(2.988, 3.011, 2.986, 3.053, 3.016, 3.010, 2.955, 2.956, 2.967)
names(myFADataMeans) <- c("x1", "x2", "x3", "x4", "x5", "x6")

oneFactorMeans <- myFADataMeans[1:6]
```

Model Specification

The following code contains all of the components of our model. Before running a model, the OpenMx library must be loaded into R using either the `require()` or `library()` function. All objects required for estimation (data, matrices, an expectation function, and a fit function) are included in their functions. This code uses the `mxModel` function to create an `MxModel` object, which we will then run.

```
manifestVars <- c("x1", "x2", "x3", "x4", "x5", "x6")
latentVars <- "F1"

dataRaw <- mxData( observed=myFADDataRaw, type="raw" )
matrA <- mxMatrix( type="Full", nrow=7, ncol=7,
  free= c(F,F,F,F,F,F,F,
           F,F,F,F,F,F,T,
           F,F,F,F,F,F,T,
           F,F,F,F,F,F,T,
           F,F,F,F,F,F,T,
           F,F,F,F,F,F,T,
           F,F,F,F,F,F,T,
           F,F,F,F,F,F,F) ,
  values=c(0,0,0,0,0,0,1,
           0,0,0,0,0,0,1,
           0,0,0,0,0,0,1,
           0,0,0,0,0,0,1,
           0,0,0,0,0,0,1,
           0,0,0,0,0,0,1,
           0,0,0,0,0,0,0) ,
  labels=c(NA,NA,NA,NA,NA,NA, "11",
           NA,NA,NA,NA,NA,NA, "12",
           NA,NA,NA,NA,NA,NA, "13",
           NA,NA,NA,NA,NA,NA, "14",
           NA,NA,NA,NA,NA,NA, "15",
           NA,NA,NA,NA,NA,NA, "16",
           NA,NA,NA,NA,NA,NA,NA) ,
  byrow=TRUE, name="A" )
matrS <- mxMatrix( type="Symm", nrow=7, ncol=7,
  free= c(T,F,F,F,F,F,F,
           F,T,F,F,F,F,F,
           F,F,T,F,F,F,F,
           F,F,F,T,F,F,F,
           F,F,F,F,T,F,F,
           F,F,F,F,F,T,F,
           F,F,F,F,F,F,T) ,
  values=c(1,0,0,0,0,0,0,
           0,1,0,0,0,0,0,
           0,0,1,0,0,0,0,
           0,0,0,1,0,0,0,
           0,0,0,0,1,0,0,
           0,0,0,0,0,1,0,
           0,0,0,0,0,0,1) ,
  labels=c("e1",NA, NA, NA, NA, NA, NA,
           NA, "e2", NA, NA, NA, NA, NA,
           NA, NA, "e3", NA, NA, NA, NA,
           NA, NA, NA, "e4", NA, NA, NA,
           NA, NA, NA, NA, "e5", NA, NA,
           NA, NA, NA, NA, NA, "e6", NA,
           NA, NA, NA, NA, NA, NA, "varF1") ,
  byrow=TRUE, name="S" )
matrF <- mxMatrix( type="Full", nrow=6, ncol=7,
  free=FALSE,
```

```

values=c(1,0,0,0,0,0,0,
         0,1,0,0,0,0,0,
         0,0,1,0,0,0,0,
         0,0,0,1,0,0,0,
         0,0,0,0,1,0,0,
         0,0,0,0,0,1,0,0,
         0,0,0,0,0,0,1,0),
byrow=TRUE, name="F" )
matrM <- mxMatrix( type="Full", nrow=1, ncol=7,
                  free=c(T,T,T,T,T,T,F),
                  values=c(1,1,1,1,1,1,0),
                  labels=c("meanx1", "meanx2", "meanx3",
                           "meanx4", "meanx5", "meanx6", NA),
                  name="M" )
exp <- mxExpectationRAM("A", "S", "F", "M",
                      dimnames=c(manifestVars, latentVars))
funML <- mxFitFunctionML()
oneFactorModel <- mxModel("Common Factor Model Matrix Specification",
                          dataRaw, matrA, matrS, matrF, matrM, exp, funML)

```

This `mxModel` function can be split into several parts. First, we give the model a name. The first argument in an `mxModel` function has a special function. If an object or variable containing an `MxModel` object is placed here, then `mxModel` adds to or removes pieces from that model. If a character string (as indicated by double quotes) is placed first, then that becomes the name of the model. Models may also be named by including a name argument. This model is named "Common Factor Model Matrix Specification".

The second component of our code creates an `MxData` object. The example above, reproduced here, first references the object where our data is, then uses the `type` argument to specify that this is raw data.

```
dataRaw <- mxData( observed=myFADataRaw, type="raw" )
```

If we were to use a covariance matrix and vector of means as data, we would replace the existing `mxData` function with this one:

```
dataCov <- mxData( observed=oneFactorCov, type="cov", numObs=500,
                  means=oneFactorMeans )
```

Model specification is carried out using `mxMatrix` functions to create matrices for a RAM specified model. The **A** matrix specifies all of the asymmetric paths or regressions in our model. In the common factor model, these parameters are the factor loadings. This matrix is square, and contains as many rows and columns as variables in the model (manifest and latent, typically in that order). Regressions are specified in the **A** matrix by placing a free parameter in the row of the dependent variable and the column of independent variable.

The common factor model requires that one parameter (typically either a factor loading or factor variance) be constrained to a constant value. In our model, we will constrain the first factor loading to a value of 1, and let all other loadings be freely estimated. All factor loadings have a starting value of one and labels of "l1" - "l6".

```

# asymmetric paths
matrA <- mxMatrix( type="Full", nrow=7, ncol=7,
                  free= c(F,F,F,F,F,F,F,
                          F,F,F,F,F,F,T,
                          F,F,F,F,F,F,T,
                          F,F,F,F,F,F,T,
                          F,F,F,F,F,F,T,
                          F,F,F,F,F,F,T,
                          F,F,F,F,F,F,F) ,
                  values=c(0,0,0,0,0,0,1,
                           0,0,0,0,0,0,1,
                           0,0,0,0,0,0,1,
                           0,0,0,0,0,0,1)

```



```

0,0,0,0,1,0,0,
0,0,0,0,0,1,0),
byrow=TRUE, name="F" )

```

The last matrix of our model is the **M** matrix, which defines the means and intercepts for our model. This matrix describes all of the regressions on the constant in a path model, or the means conditional on the means of exogenous variables. This matrix contains a single row, and one column for every manifest and latent variable in the model. In our model, the latent variable has a constrained mean of zero, while the manifest variables have freely estimated means, labeled "meanx1" through "meanx6".

```

# means
matrM <- mxMatrix( type="Full", nrow=1, ncol=7,
  free=c(T,T,T,T,T,T,F),
  values=c(1,1,1,1,1,1,0),
  labels=c("meanx1", "meanx2", "meanx3",
    "meanx4", "meanx5", "meanx6", NA),
  name="M" )

```

The final parts of this model are the expectation function and the fit function. The expectation defines how the specified matrices combine to create the expected covariance matrix of the data. The fit defines how the expectation is compared to the data to create a single scalar number that is minimized. In a RAM specified model, the expected covariance matrix is defined as:

$$ExpCovariance = F * (I - A)^{-1} * S * ((I - A)^{-1})' * F'$$

The expected means are defined as:

$$ExpMean = F * (I - A)^{-1} * M$$

The free parameters in the model can then be estimated using maximum likelihood for covariance and means data, and full information maximum likelihood for raw data. Although users may define their own expected covariance matrices using `mxExpectationNormal` and other functions in OpenMx, the `mxExpectationRAM` function computes the expected covariance and means matrices when the **A**, **S**, **F** and **M** matrices are specified. The **M** matrix is required both for raw data and for covariance or correlation data that includes a means vector. The `mxExpectationRAM` function takes four arguments, which are the names of the **A**, **S**, **F** and **M** matrices in your model. The `mxFitFunctionML` yields maximum likelihood estimates of structural equation models. It uses full information maximum likelihood when the data are raw.

```

exp <- mxExpectationRAM("A", "S", "F", "M",
  dimnames=c(manifestVars, latentVars))
funML <- mxFitFunctionML()

```

The model now includes an observed covariance matrix (i.e., data), model matrices, an expectation function, and a fit function. So the model has all the required elements to define the expected covariance matrix and estimate parameters.

The model can now be run using the `mxRun` function, and the output of the model can be accessed from the `@output` slot of the resulting model. A summary of the output can be reached using `summary()`.

```

oneFactorFit <- mxRun(oneFactorModel)

oneFactorFit@output

summary(oneFactorFit)

```

Rather than specifying the model using RAM notation, we can also write the model explicitly with self-declared matrices, matching the formula for the expected mean and covariance structure of the one factor model:

$$\begin{aligned}
\mu_x &= varMeans + (facLoadings * facMeans)' \\
\sigma_x &= facLoadings * facVariances * facLoadings' + resVariances
\end{aligned}$$

We start with displaying the complete script. Note that we have used the succinct form of coding and that the `mxData` command did not change.

```

dataRaw      <- mxData( observed=myFADataRaw, type="raw" )
facLoads     <- mxMatrix( type="Full", nrow=6, ncol=1, values=1, free=c(F,T,T,T,T,T),
                          labels=c("l1","l2","l3","l4","l5","l6"), name="facLoadings" )
facVars      <- mxMatrix( type="Symm", nrow=1, ncol=1, values=1, free=T,
                          labels="varF1", name="facVariances" )
resVars      <- mxMatrix( type="Diag", nrow=6, ncol=6, free=T, values=1,
                          labels=c("e1","e2","e3","e4","e5","e6"), name="resVariances" )
varMeans     <- mxMatrix( type="Full", nrow=1, ncol=6, values=1, free=T,
                          labels=c("meanx1","meanx2","meanx3","meanx4","meanx5","meanx6"),
                          name="varMeans" )
facMeans     <- mxMatrix( type="Full", nrow=1, ncol=1, values=0, free=F, name="facMeans" )
expCov       <- mxAlgebra( expression= facLoadings %&% facVariances + resVariances,
                          name="expCov" )
expMean      <- mxAlgebra( expression= varMeans + t(facLoadings %*% facMeans),
                          name="expMean" )
exp          <- mxExpectationNormal( covariance="expCov", means="expMean",
                                    dimnames=manifestVars)
funML        <- mxFitFunctionML()

oneFactorModel <- mxModel("Common Factor Model Matrix Specification",
                          dataRaw, facLoads, facVars, resVars, varMeans, facMeans,
                          expCov, expMean, exp, funML)

oneFactorFit<-mxRun(oneFactorModel)

```

The first `mxMatrix` statement declares a Full **6x1** matrix of factor loadings to be estimated, called “`facLoadings`”. We fix the first factor loading to 1 for identification. Even though we specify just one start value of 1 which is recycled for each of the elements in the matrix, it becomes the fixed value for the first factor loading and the start value for the other factor loadings. The second `mxMatrix` is a symmetric **1x1** which estimates the variance of the factor, named “`facVariances`”. The third `mxMatrix` is a `Diag` **6x6** matrix for the residual variances, named “`resVariances`”. The fourth `mxMatrix` is a Full **1x6** matrix of free elements for the means of the observed variables, called “`varMeans`”. The fifth `mxMatrix` is a Full **1x1** matrix with a fixed value of zero for the factor mean, named “`facMeans`”.

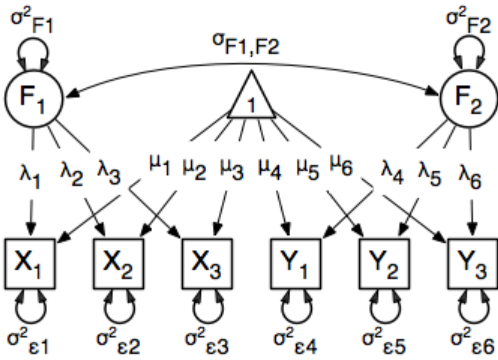
We then use two algebra statements to work out the expected mean and covariance matrices. Note that the formula’s for the expression of the expected covariance and the expected mean vector map directly on to the mathematical equations. The arguments for the `mxExpectationNormal` function now refer to these algebras for the expected covariance and expected means. The `dimnames` are used to map them onto the observed variables. The fit function compares the expectation and the observation (i.e. data) to optimize free parameters.

3.2.2 Two Factor Model

The common factor model can be extended to include multiple latent variables. The model for any person and path diagram of the common factor model for a set of variables $x_1 - x_3$ and $y_1 - y_3$ are given below.

$$x_{ij} = \mu_j + \lambda_j * \eta_{1i} + \epsilon_{ij}$$

$$y_{ij} = \mu_j + \lambda_j * \eta_{2i} + \epsilon_{ij}$$



Our model contains 21 parameters (6 manifest variances, six manifest means, six factor loadings, two factor variances and one factor covariance), but each factor requires one identification constraint. Like in the common factor model above, we will constrain one factor loading for each factor to a value of one. As such, this model contains 19 parameters. The means and covariance matrix for six observed variables contain 27 degrees of freedom, and thus our model contains 8 degrees of freedom.

The data for the two factor model can be found in the `myFADData` files introduced in the common factor model. For this model, we will select three x variables (`x1-x3`) and three y variables (`y1-y3`).

```
twoFactorRaw <- myFADDataRaw[,c("x1", "x2", "x3", "y1", "y2", "y3")]
twoFactorCov <- myFADDataCov[c("x1", "x2", "x3", "y1", "y2", "y3"),
                               c("x1", "x2", "x3", "y1", "y2", "y3")]
twoFactorMeans <- myFADDataMeans[c(1:3, 7:9)]
```

Specifying the two factor model is virtually identical to the single factor case. The `mxData` function has been changed to reference the appropriate data, but is identical in usage. We've added a second latent variable, so the **A** and **S** matrices are now of order 8x8. Similarly, the **F** matrix is now of order 6x8 and the **M** matrix of order 1x8. The `mxExpectationRAM` has not changed. The code for our two factor model looks like this:

```
dataRaw <- mxData( observed=myFADDataRaw, type="raw" )
matrA <- mxMatrix( type="Full", nrow=8, ncol=8,
                  free= c(F,F,F,F,F,F,F,F,
                          F,F,F,F,F,F,T,F,
                          F,F,F,F,F,F,T,F,
                          F,F,F,F,F,F,F,F,
                          F,F,F,F,F,F,F,T,
                          F,F,F,F,F,F,F,T,
                          F,F,F,F,F,F,F,F,
                          F,F,F,F,F,F,F,F),
                  values=c(0,0,0,0,0,0,1,0,
                           0,0,0,0,0,0,1,0,
                           0,0,0,0,0,0,1,0,
                           0,0,0,0,0,0,0,1,
                           0,0,0,0,0,0,0,1,
                           0,0,0,0,0,0,0,1,
                           0,0,0,0,0,0,0,0,
                           0,0,0,0,0,0,0,0),
                  labels=c(NA,NA,NA,NA,NA,NA,NA,"11",NA,
                           NA,NA,NA,NA,NA,NA,"12",NA,
                           NA,NA,NA,NA,NA,NA,"13",NA,
                           NA,NA,NA,NA,NA,NA,NA,"14",
                           NA,NA,NA,NA,NA,NA,NA,"15",
                           NA,NA,NA,NA,NA,NA,NA,"16",
```

```

      NA, NA, NA, NA, NA, NA, NA, NA,
      NA, NA, NA, NA, NA, NA, NA, NA) ,
    byrow=TRUE, name="A" )
matrS <- mxMatrix( type="Symm", nrow=8, ncol=8,
  free= c(T,F,F,F,F,F,F,F,
          F,T,F,F,F,F,F,F,
          F,F,T,F,F,F,F,F,
          F,F,F,T,F,F,F,F,
          F,F,F,F,T,F,F,F,
          F,F,F,F,F,T,F,F,
          F,F,F,F,F,F,T,T,
          F,F,F,F,F,F,T,T) ,
  values=c(1,0,0,0,0,0,0,0,
           0,1,0,0,0,0,0,0,
           0,0,1,0,0,0,0,0,
           0,0,0,1,0,0,0,0,
           0,0,0,0,1,0,0,0,
           0,0,0,0,0,1,0,0,
           0,0,0,0,0,0,1,.5,
           0,0,0,0,0,0,.5,1) ,
  labels=c("e1", NA, NA, NA, NA, NA, NA, NA,
           NA, "e2", NA, NA, NA, NA, NA, NA,
           NA, NA, "e3", NA, NA, NA, NA, NA,
           NA, NA, NA, "e4", NA, NA, NA, NA,
           NA, NA, NA, NA, "e5", NA, NA, NA,
           NA, NA, NA, NA, NA, "e6", NA, NA,
           NA, NA, NA, NA, NA, NA, "varF1", "cov",
           NA, NA, NA, NA, NA, NA, "cov", "varF2") ,
  byrow=TRUE, name="S" )
matrF <- mxMatrix( type="Full", nrow=6, ncol=8,
  free=FALSE,
  values=c(1,0,0,0,0,0,0,0,
           0,1,0,0,0,0,0,0,
           0,0,1,0,0,0,0,0,
           0,0,0,1,0,0,0,0,
           0,0,0,0,1,0,0,0,
           0,0,0,0,0,1,0,0,
           0,0,0,0,0,0,1,0,0) ,
  byrow=TRUE, name="F" )
matrM <- mxMatrix( type="Full", nrow=1, ncol=8,
  free=c(T,T,T,T,T,T,F,F) ,
  values=c(1,1,1,1,1,1,0,0) ,
  labels=c("meanx1", "meanx2", "meanx3",
           "meanx4", "meanx5", "meanx6", NA, NA) ,
  name="M" )
exp <- mxExpectationRAM("A", "S", "F", "M",
  dimnames=c(manifestVars, latentVars))
funML <- mxFitFunctionML()
twoFactorModel <- mxModel("Two Factor Model Matrix Specification",
  dataRaw, matrA, matrS, matrF, matrM, exp, funML)

```

The four `mxMatrix` functions have changed slightly to accommodate the changes in the model. The **A** matrix, shown below, is used to specify the regressions of the manifest variables on the factors. The first three manifest variables ("x1"- "x3") are regressed on "F1", and the second three manifest variables ("y1"- "y3") are regressed on "F2". We must again constrain the model to identify and scale the latent variables, which we do by constraining the first loading for each latent variable to a value of one.

```

# asymmetric paths
matrA <- mxMatrix( type="Full", nrow=8, ncol=8,

```

```

free= c(F,F,F,F,F,F,F,F,
        F,F,F,F,F,F,T,F,
        F,F,F,F,F,F,T,F,
        F,F,F,F,F,F,F,F,
        F,F,F,F,F,F,F,T,
        F,F,F,F,F,F,F,T,
        F,F,F,F,F,F,F,F,
        F,F,F,F,F,F,F,F),
values=c(0,0,0,0,0,0,1,0,
         0,0,0,0,0,0,1,0,
         0,0,0,0,0,0,1,0,
         0,0,0,0,0,0,0,1,
         0,0,0,0,0,0,0,1,
         0,0,0,0,0,0,0,1,
         0,0,0,0,0,0,0,0,
         0,0,0,0,0,0,0,0),
labels=c(NA,NA,NA,NA,NA,NA,"11",NA,
         NA,NA,NA,NA,NA,NA,"12",NA,
         NA,NA,NA,NA,NA,NA,"13",NA,
         NA,NA,NA,NA,NA,NA,"14",
         NA,NA,NA,NA,NA,NA,"15",
         NA,NA,NA,NA,NA,NA,"16",
         NA,NA,NA,NA,NA,NA,NA,NA,
         NA,NA,NA,NA,NA,NA,NA,NA),
byrow=TRUE, name="A" )

```

The **S** matrix has an additional row and column, and two additional parameters. For the two factor model, we must add a variance term for the second latent variable and a covariance between the two latent variables.

```

# symmetric paths
matrS <- mxMatrix( type="Symm", nrow=8, ncol=8,
free= c(T,F,F,F,F,F,F,F,
        F,T,F,F,F,F,F,F,
        F,F,T,F,F,F,F,F,
        F,F,F,T,F,F,F,F,
        F,F,F,F,T,F,F,F,
        F,F,F,F,F,T,F,F,
        F,F,F,F,F,F,T,T,
        F,F,F,F,F,F,T,T),
values=c(1,0,0,0,0,0,0,0,
         0,1,0,0,0,0,0,0,
         0,0,1,0,0,0,0,0,
         0,0,0,1,0,0,0,0,
         0,0,0,0,1,0,0,0,
         0,0,0,0,0,1,0,0,
         0,0,0,0,0,0,1,.5,
         0,0,0,0,0,0,.5,1),
labels=c("e1",NA, NA, NA, NA, NA, NA, NA,
         NA, "e2", NA, NA, NA, NA, NA, NA,
         NA, NA, "e3", NA, NA, NA, NA, NA,
         NA, NA, NA, "e4", NA, NA, NA, NA,
         NA, NA, NA, NA, "e5", NA, NA, NA,
         NA, NA, NA, NA, NA, "e6", NA, NA,
         NA, NA, NA, NA, NA, NA, "varF1", "cov",
         NA, NA, NA, NA, NA, NA, "cov", "varF2"),
byrow=TRUE, name="S" )

```

The **F** and **M** matrices contain only minor changes. The **F** matrix is now of order 6x8, but the additional column is simply a column of zeros. The **M** matrix contains an additional column (with only a single row), which contains the

mean of the second latent variable. As this model does not contain a parameter for that latent variable, this mean is constrained to zero.

The model is now ready to run using the `mxRun` function, and the output of the model can be accessed from the `$output` slot of the resulting model. A summary of the output can be reached using `summary()`.

These models may also be specified using paths instead of matrices. See *Factor Analysis, Path Specification* for path specification of these models.

3.3 Time Series, Matrix Specification

This example will demonstrate a growth curve model using RAM specified matrices. As with previous examples, this application is split into two files, one each raw and covariance data. These examples can be found in the following files:

- http://openmx.psyc.virginia.edu/svn/trunk/demo/LatentGrowthCurveModel_MatrixRaw.R

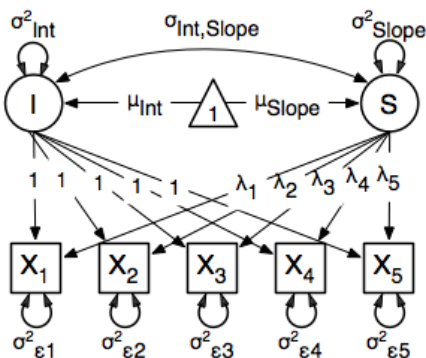
Parallel versions of this example, using path-centric specification of models rather than matrices, can be found here:

- http://openmx.psyc.virginia.edu/svn/trunk/demo/LatentGrowthCurveModel_PathRaw.R

3.3.1 Latent Growth Curve Model

The latent growth curve model is a variation of the factor model for repeated measurements. For a set of manifest variables $x_{i1} - x_{i5}$ measured at five discrete times for people indexed by the letter i , the growth curve model can be expressed both algebraically and via a path diagram as shown here:

$$x_{ij} = \text{Intercept}_i + \lambda_j * \text{Slope}_i + \epsilon_i$$



The values and specification of the λ parameters allow for alterations to the growth curve model. This example will utilize a linear growth curve model, so we will specify λ to increase linearly with time. If the observations occur at regular intervals in time, then λ can be specified with any values increasing at a constant rate. For this example, we will use $[0, 1, 2, 3, 4]$ so that the intercept represents scores at the first measurement occasion, and the slope represents the rate of change per measurement occasion. Any linear transformation of these values can be used for linear growth curve models.

Our model for any number of variables contains 6 free parameters; two factor means, two factor variances, a factor covariance and a (constant) residual variance for the manifest variables. Our data contains five manifest variables, and so the covariance matrix and means vector contain 20 degrees of freedom. Thus, the linear growth curve model fit to these data has 14 degrees of freedom.

Data

The first step to running our model is to import data. The code below is used to import both raw data and a covariance matrix and means vector, either of which can be used for our growth curve model. This data contains five variables, which are repeated measurements of the same variable. As growth curve models make specific hypotheses about the variances of the manifest variables, correlation matrices generally aren't used as data for this model.

```
data(myLongitudinalData)

myLongitudinalDataCov<-matrix(
  c(6.362, 4.344, 4.915, 5.045, 5.966,
    4.344, 7.241, 5.825, 6.181, 7.252,
    4.915, 5.825, 9.348, 7.727, 8.968,
    5.045, 6.181, 7.727, 10.821, 10.135,
    5.966, 7.252, 8.968, 10.135, 14.220),
  nrow=5,
  dimnames=list( c("x1", "x2", "x3", "x4", "x5"), c("x1", "x2", "x3", "x4", "x5")) )

myLongitudinalDataMeans <- c(9.864, 11.812, 13.612, 15.317, 17.178)
names(myLongitudinalDataMeans) <- c("x1", "x2", "x3", "x4", "x5")
```

Model Specification

The following code contains all of the components of our model. Before running a model, the OpenMx library must be loaded into R using either the `require()` or `library()` function. All objects required for estimation (data, matrices, an expectation function, and a fit function) are included in their functions. This code uses the `mxModel` function to create an `MxModel` object, which we will then run.

```
require(OpenMx)

dataRaw      <- mxData( observed=myLongitudinalData, type="raw" )
matrA        <- mxMatrix( type="Full", nrow=7, ncol=7,
                          free=F,
                          values=c(0,0,0,0,0,1,0,
                                    0,0,0,0,0,1,1,
                                    0,0,0,0,0,1,2,
                                    0,0,0,0,0,1,3,
                                    0,0,0,0,0,1,4,
                                    0,0,0,0,0,0,0,
                                    0,0,0,0,0,0,0,0),
                          byrow=TRUE, name="A" )
matrS        <- mxMatrix( type="Symm", nrow=7, ncol=7,
                          free= c(T,F,F,F,F,F,F,
                                    F,T,F,F,F,F,F,
                                    F,F,T,F,F,F,F,
                                    F,F,F,T,F,F,F,
                                    F,F,F,F,T,F,F,
                                    F,F,F,F,F,T,T,
                                    F,F,F,F,F,T,T),
                          values=c(0,0,0,0,0, 0, 0,
                                    0,0,0,0,0, 0, 0,
                                    0,0,0,0,0, 0, 0,
                                    0,0,0,0,0, 0, 0,
                                    0,0,0,0,0, 0, 0,
                                    0,0,0,0,0, 1, .5,
                                    0,0,0,0,0, .5, 1),
                          labels=c("residual", NA, NA, NA, NA, NA, NA,
```

```

      NA, "residual", NA, NA, NA, NA, NA,
      NA, NA, "residual", NA, NA, NA, NA,
      NA, NA, NA, "residual", NA, NA, NA,
      NA, NA, NA, NA, "residual", NA, NA,
      NA, NA, NA, NA, NA, "vari", "cov",
      NA, NA, NA, NA, NA, "cov", "vars"),
    byrow= TRUE, name="S" )
matrF <- mxMatrix( type="Full", nrow=5, ncol=7,
  free=F,
  values=c(1,0,0,0,0,0,0,
           0,1,0,0,0,0,0,
           0,0,1,0,0,0,0,
           0,0,0,1,0,0,0,
           0,0,0,0,1,0,0),
  byrow=T, name="F" )
matrM <- mxMatrix( type="Full", nrow=1, ncol=7,
  free=c(F,F,F,F,F,T,T), values=c(0,0,0,0,0,1,1),
  labels=c(NA,NA,NA,NA,NA,"meanI","means"), name="M" )
exp <- mxExpectationRAM("A","S","F","M",
  dimnames=c(names(myLongitudinalData),"intercept","slope"))
funML <- mxFitFunctionML()
growthCurveModel <- mxModel("Linear Growth Curve Model Matrix Specification",
  dataRaw, matrA, matrS, matrF, matrM, exp, funML)

```

The model begins with a name, in this case “Linear Growth Curve Model Matrix Specification”. If the first argument is an object containing an `MxModel` object, then the model created by the `mxModel` function will contain all of the named entities in the referenced model object.

Data is supplied with the `mxData` function. This example uses raw data, but the `mxData` function in the code above could be replaced with the function below to include covariance data.

```

dataCov <- mxData( myLongitudinalDataCov, type="cov", numObs=500,
  means=myLongitudinalDataMeans )

```

The four `mxMatrix` functions define the **A**, **S**, **F** and **M** matrices used in RAM specification of models. In all four matrices, the first five rows or columns of any matrix represent the five manifest variables, the sixth the latent intercept variable, and the seventh the slope. The **A** and **S** matrices are of order 7x7, the **F** matrix of order 5x7, and the **M** matrix 1x7.

The **A** matrix specifies all of the asymmetric paths or regressions among variables. The only asymmetric paths in our model regress the manifest variables on the latent intercept and slope with fixed values. The regressions of the manifest variables on the intercept are in the first five rows and sixth column of the **A** matrix, all of which have a fixed value of one. The regressions of the manifest variables on the slope are in the first five rows and seventh column of the **A** matrix with fixed values in this series: [0, 1, 2, 3, 4].

```

# asymmetric paths
matrA <- mxMatrix( type="Full", nrow=7, ncol=7,
  free=F,
  values=c(0,0,0,0,0,1,0,
           0,0,0,0,0,1,1,
           0,0,0,0,0,1,2,
           0,0,0,0,0,1,3,
           0,0,0,0,0,1,4,
           0,0,0,0,0,0,0,
           0,0,0,0,0,0,0),
  byrow=TRUE, name="A" )

```

The **S** matrix specifies all of the symmetric paths among our variables, representing the variances and covariances in our model. The five manifest variables do not have any covariance parameters with any other variables, and all

are restricted to have the same residual variance. This variance term is constrained to equality by specifying five free parameters and giving all five parameters the same label `residual`. The variances and covariance of the latent variables are included as free parameters in the sixth and seventh rows and columns of this matrix as well.

```
# symmetric paths
matrS      <- mxMatrix( type="Symm", nrow=7, ncol=7,
  free= c(T,F,F,F,F,F,F,
          F,T,F,F,F,F,F,
          F,F,T,F,F,F,F,
          F,F,F,T,F,F,F,
          F,F,F,F,T,F,F,
          F,F,F,F,F,T,T,
          F,F,F,F,F,T,T),
  values=c(0,0,0,0,0, 0, 0,
           0,0,0,0,0, 0, 0,
           0,0,0,0,0, 0, 0,
           0,0,0,0,0, 0, 0,
           0,0,0,0,0, 0, 0,
           0,0,0,0,0, 1, .5,
           0,0,0,0,0, .5, 1),
  labels=c("residual", NA, NA, NA, NA, NA, NA,
           NA, "residual", NA, NA, NA, NA, NA,
           NA, NA, "residual", NA, NA, NA, NA,
           NA, NA, NA, "residual", NA, NA, NA,
           NA, NA, NA, NA, "residual", NA, NA,
           NA, NA, NA, NA, NA, "vari", "cov",
           NA, NA, NA, NA, NA, "cov", "vars"),
  byrow= TRUE, name="S" )
```

The third matrix in our RAM model is the **F** or filter matrix. This is used to “filter” the latent variables from the expected covariance of the observed data. The **F** matrix will always contain the same number of rows as manifest variables and columns as total (manifest and latent) variables. If the manifest variables in the **A** and **S** matrices precede the latent variables are in the same order as the data, then the **F** matrix will be the horizontal adhesion of an identity matrix and a zero matrix. This matrix contains no free parameters, and is made with the `mxMatrix` function below.

```
# filter matrix
matrF      <- mxMatrix( type="Full", nrow=5, ncol=7,
  free=F,
  values=c(1,0,0,0,0,0,0,
           0,1,0,0,0,0,0,
           0,0,1,0,0,0,0,
           0,0,0,1,0,0,0,
           0,0,0,0,1,0,0),
  byrow=T, name="F" )
```

The final matrix in our RAM model is the **M** or means matrix, which specifies the means and intercepts of the variables in the model. While the manifest variables have expected means in our model, these expected means are entirely dependent on the means of the intercept and slope factors. In the **M** matrix below, the manifest variables are given fixed intercepts of zero while the latent variables are each given freely estimated means with starting values of 1 and labels of "meani" and "means"

```
# means
matrM      <- mxMatrix( type="Full", nrow=1, ncol=7,
  free=c(F,F,F,F,F,T,T), values=c(0,0,0,0,0,1,1),
  labels=c(NA,NA,NA,NA,NA,"meani","means"), name="M" )
```

The last pieces of our model are the `mxExpectationRAM` and `mxFitFunctionML` functions, which define both how the specified matrices combine to create the expected covariance matrix of the data, and the fit function to be

minimized, respectively. As covered in earlier examples, the expected covariance matrix for a RAM model is defined as:

$$ExpCovariance = F * (I - A)^{-1} * S * ((I - A)^{-1})' * F'$$

The expected means are defined as:

$$ExpMean = F * (I - A)^{-1} * M$$

The free parameters in the model can then be estimated using maximum likelihood for covariance and means data, and full information maximum likelihood for raw data. The **M** matrix is required both for raw data and for covariance or correlation data that includes a means vector. The `mxExpectationRAM` function takes four arguments, which are the names of the **A**, **S**, **F** and **M** matrices in your model. The `mxFitFunctionML` function often takes no arguments.

The model is now ready to run using the `mxRun` function, and the output of the model can be accessed from the `@output` slot of the resulting model. A summary of the output can be reached using `summary()`.

```
growthCurveFit <- mxRun(growthCurveModel)
```

```
growthCurveFit$output
summary(growthCurveFit)
```

These models may also be specified using paths instead of matrices. See *Time Series, Path Specification* for path specification of these models.

3.4 Multiple Groups, Matrix Specification

An important aspect of structural equation modeling is the use of multiple groups to compare means and covariances structures between any two (or more) data groups, for example males and females, different ethnic groups, ages etc. Other examples include groups which have different expected covariances matrices as a function of parameters in the model, and need to be evaluated together for the parameters to be identified.

The example includes the heterogeneity model as well as its submodel, the homogeneity model and is available in the following file:

- http://openmx.psyc.virginia.edu/svn/trunk/demo/BivariateHeterogeneity_MatrixRaw.R

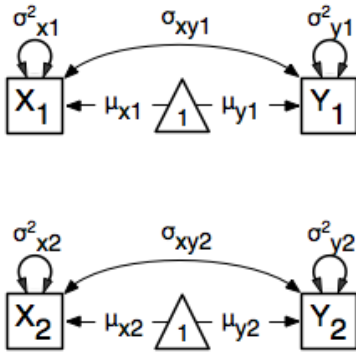
A parallel version of this example, using paths specification of models rather than matrices, can be found here:

- http://openmx.psyc.virginia.edu/svn/trunk/demo/BivariateHeterogeneity_PathRaw.R

3.4.1 Heterogeneity Model

We will start with a basic example here, building on modeling means and variances in a saturated model. Assume we have two groups and we want to test whether they have the same mean and covariance structure.

The path diagram of the heterogeneity model for a set of variables x and y are given below.



Data

For this example we simulated two datasets (`xy1` and `xy2`) each with zero means and unit variances, one with a correlation of 0.5, and the other with a correlation of 0.4 with 1000 subjects each. We use the `mvrnorm` function in the `MASS` package, which takes three arguments: Sample Size, Means, Covariance Matrix). We check the means and covariance matrix in R and provide `dimnames` for the dataframe. See attached R code for simulation and data summary.

```
#Simulate Data
require(MASS)
#group 1
set.seed(200)
xy1 <- mvrnorm(1000, c(0,0), matrix(c(1, .5, .5, 1), 2, 2))
#group 2
set.seed(200)
xy2 <- mvrnorm(1000, c(0,0), matrix(c(1, .4, .4, 1), 2, 2))

#Print Descriptive Statistics
selVars <- c('X', 'Y')
summary(xy1)
cov(xy1)
dimnames(xy1) <- list(NULL, selVars)
summary(xy2)
cov(xy2)
dimnames(xy2) <- list(NULL, selVars)
```

Model Specification

As before, we include the `OpenMx` package using a `require` statement. We first fit a heterogeneity model, allowing differences in both the mean and covariance structure of the two groups. As we are interested whether the two structures can be equated, we have to specify the models for the two groups, named `group1` and `group2` within another model. The structure of the job thus look as follows, with two `mxModel` commands as arguments of another `mxModel` command. Note that `mxModel` commands are unlimited in the number of arguments.

For each of the groups, we fit a saturated model, using a Cholesky decomposition to generate the expected covariance matrix and a row vector for the expected means. Note that we have specified different labels for all the free elements, in the two `mxModel` statements. For more details, see example 1.

```
require(OpenMx)

#Fit Heterogeneity Model
```

```

chol1      <- mxMatrix( type="Lower", nrow=2, ncol=2,
                        free=T, values=.5, labels=c("Ch11", "Ch21", "Ch31"),
                        name="chol1" )
expCov1    <- mxAlgebra( expression=chol1 %*% t(chol1), name="expCov1" )
expMean1   <- mxMatrix( type="Full", nrow=1, ncol=2,
                        free=T, values=c(0,0), labels=c("mX1", "mY1"),
                        name="expMean1" )

dataRaw1   <- mxData( xy1, type="raw" )
expl       <- mxExpectationNormal( covariance="expCov1", means="expMean1", selVars)
funML      <- mxFitFunctionML()
model1     <- mxModel("group1",
                    dataRaw1, chol1, expCov1, expMean1, expl, funML)

chol2      <- mxMatrix( type="Lower", nrow=2, ncol=2,
                        free=T, values=.5, labels=c("Ch12", "Ch22", "Ch32"),
                        name="chol2" )
expCov2    <- mxAlgebra( expression=chol2 %*% t(chol2), name="expCov2" )
expMean2   <- mxMatrix( type="Full", nrow=1, ncol=2,
                        free=T, values=c(0,0), labels=c("mX2", "mY2"),
                        name="expMean2" )

dataRaw2   <- mxData( xy2, type="raw" )
exp2       <- mxExpectationNormal( covariance="expCov2", means="expMean2", selVars)
funML      <- mxFitFunctionML()
model2     <- mxModel("group2",
                    dataRaw2, chol2, expCov2, expMean2, exp2, funML)

fun        <- mxFitFunctionMultigroup(c("group1.fitfunction", "group2.fitfunction"))
bivHetModel <- mxModel("bivariate Heterogeneity Matrix Specification",
                    model1, model2, fun )

```

We estimate five parameters (two means, two variances, one covariance) per group for a total of 10 free parameters. We cut the Labels matrix: parts from the output generated with `bivHetModel$group1$matrices` and `bivHetModel$group2$matrices`:

in group1			in group2		
\$S			\$S		
	X	Y		X	Y
X	"Ch11"	NA	X	"Ch12"	NA
Y	"Ch21"	"Ch22"	Y	"Ch22"	"Ch32"
\$M			\$M		
	X	Y		X	Y
[1,]	"mX1"	"mY1"	[1,]	"mX2"	"mY2"

To evaluate both models together, we use an `mxFitFunctionMultigroup` command that adds up the values of the fit functions of the two groups.

```
fun <- mxFitFunctionMultigroup(c("group1.fitfunction", "group2.fitfunction"))
```

Model Fitting

The `mxRun` command is required to actually evaluate the model. Note that we have adopted the following notation of the objects. The result of the `mxModel` command ends in "Model"; the result of the `mxRun` command ends in "Fit". Of course, these are just suggested naming conventions.

```
bivHetFit <- mxRun(bivHetModel)
```

A variety of output can be printed. We chose here to print the expected means and covariance matrices for the two groups and the likelihood of data given the model. The `mxEval` command takes any R expression, followed by the fitted model name. Given that the model `bivHetFit` included two models (`group1` and `group2`), we need to use the two level names, i.e. `group1.EM1` to refer to the objects in the correct model.

```
expMean1Het <- mxEval(group1.expMean1, bivHetFit)
expMean2Het <- mxEval(group2.expMean2, bivHetFit)
expCov1Het  <- mxEval(group1.expCov1, bivHetFit)
expCov2Het  <- mxEval(group2.expCov2, bivHetFit)
LLHet      <- bivHetFit$output$fit
```

3.4.2 Homogeneity Model: a Submodel

Next, we fit a model in which the mean and covariance structure of the two groups are equated to one another, to test whether there are significant differences between the groups. Rather than having to specify the entire model again, we copy the previous model `bivHetModel` into a new model `bivHomModel` to represent homogeneous structures.

```
#Fit Homogeneity Model
bivHomModel <- bivHetModel
```

As elements in matrices can be equated by assigning the same label, we now have to equate the labels of the free parameters in group 1 to the labels of the corresponding elements in group 2. This can be done by referring to the relevant matrices using the `ModelName$MatrixName` syntax, followed by `@labels`. Note that in the same way, one can refer to other arguments of the objects in the model. Here we assign the labels from `group1` to the labels of `group2`, separately for the Cholesky matrices used for the expected covariance matrices and for the expected means vectors.

```
bivHomModel[['group2.chol2']]$labels <- bivHomModel[['group1.chol1']]$labels
bivHomModel[['group2.expMean2']]$labels <- bivHomModel[['group1.expMean1']]$labels
```

The specification for the submodel is reflected in the names of the labels which are now equal for the corresponding elements of the mean and covariance matrices, as below:

in group1			in group2		
\$S			\$S		
		X			X
		Y			Y
X	"Ch11"	NA	X	"Ch11"	NA
Y	"Ch21"	"Ch31"	Y	"Ch21"	"Ch31"
\$M			\$M		
		X			X
		Y			Y
[1,]	"mX1"	"mY1"	[1,]	"mX1"	"mY1"

We can produce similar output for the submodel, i.e. expected means and covariances and likelihood, the only difference in the code being the model name. Note that as a result of equating the labels, the expected means and covariances of the two groups should be the same.

```
bivHomFit <- mxRun(bivHomModel)
expMean1Hom <- mxEval(group1.expMean1, bivHomFit)
expMean2Hom <- mxEval(group2.expMean2, bivHomFit)
expCov1Hom  <- mxEval(group1.expCov1, bivHomFit)
expCov2Hom  <- mxEval(group2.expCov2, bivHomFit)
LLHom      <- bivHomFit$output$fit
```

Finally, to evaluate which model fits the data best, we generate a likelihood ratio test as the difference between -2 times the log-likelihood of the homogeneity model and -2 times the log-likelihood of the heterogeneity model. This statistic is asymptotically distributed as a Chi-square, which can be interpreted with the difference in degrees of freedom of the two models.

```
Chi <- LLHom-LLHet
LRT <- rbind(LLHet, LLHom, Chi)
LRT
```

These models may also be specified using paths instead of matrices. See *Multiple Groups, Path Specification* for path specification of these models.

3.5 Genetic Epidemiology, Matrix Specification

Mx is probably most popular in the behavior genetics field, as it was conceived with genetic models in mind, which rely heavily on multiple groups. We introduce here an OpenMx script for the basic genetic model in genetic epidemiologic research, the ACE model. This model assumes that the variability in a phenotype, or observed variable, of interest can be explained by differences in genetic and environmental factors, with A representing additive genetic factors, C shared/common environmental factors and E unique/specific environmental factors (see Neale & Cardon 1992, for a detailed treatment). To estimate these three sources of variance, data have to be collected on relatives with different levels of genetic and environmental similarity to provide sufficient information to identify the parameters. One such design is the classical twin study, which compares the similarity of identical (monozygotic, MZ) and fraternal (dizygotic, DZ) twins to infer the role of A, C and E.

The example starts with the ACE model and includes one submodel, the AE model. It is available in the following file:

- http://openmx.psyc.virginia.edu/svn/trunk/demo/UnivariateTwinAnalysis_MatrixRaw.R

A parallel version of this example, using path specification of models rather than matrices, can be found here:

- http://openmx.psyc.virginia.edu/svn/trunk/demo/UnivariateTwinAnalysis_PathRaw.R

3.5.1 ACE Model: a Twin Analysis

Data

Let us assume you have collected data on a large sample of twin pairs for your phenotype of interest. For illustration purposes, we use Australian data on body mass index (BMI) which are saved in a text file 'myTwinData.txt'. We use R to read the data into a data.frame and to create two subsets of the data for MZ females (mzData) and DZ females (dzData) respectively with the code below.

```
require(OpenMx)

# Load Data
data(twinData)
describe(twinData, skew=F)

# Select Variables for Analysis
Vars <- 'bmi'
nv <- 1 # number of variables
ntv <- nv*2 # number of total variables
selVars <- paste(Vars, c(rep(1, nv), rep(2, nv)), sep="") #c('bmi1', 'bmi2')

# Select Data for Analysis
mzData <- subset(twinData, zyg==1, selVars)
dzData <- subset(twinData, zyg==3, selVars)

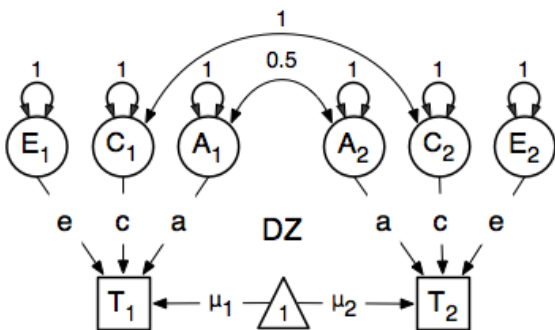
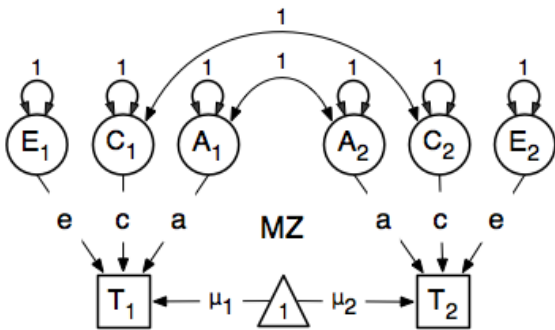
# Generate Descriptive Statistics
colMeans(mzData, na.rm=TRUE)
colMeans(dzData, na.rm=TRUE)
```

```
cov(mzData, use="complete")
cov(dzData, use="complete")
```

Model Specification

There are a variety of ways to set up the ACE model. The most commonly used approach in Mx is to specify three matrices for each of the three sources of variance. The matrix **a** represents the additive genetic path *a*, the **c** matrix is used for the shared environmental path *c* and the matrix **e** for the unique environmental path *e*. The expected variances and covariances between member of twin pairs are typically expressed in variance components (or the square of the path coefficients, i.e. a^2 , c^2 and e^2). These quantities can be calculated using matrix algebra, by multiplying the **a** matrix by its transpose **t(a)**, and are called **A**, **C** and **E** respectively. Note that the transpose is not strictly needed in the univariate case, but will allow easier transition to the multivariate case.

We then use matrix algebra again to add the relevant matrices corresponding to the expectations for each of the statistics of the expected covariance matrix. The R functions 'cbind' and 'rbind' are used to concatenate the resulting matrices in the appropriate way. The expectations can be derived from the path diagrams for MZ and DZ twins. The expectation for the variance of either twin 1 or twin 2 to be included on the diagonal elements is the sum of the variance components ($\mathbf{A}^{**+} + \mathbf{C}^{**+} + \mathbf{E}^{**+}$). The predicted covariance between MZ twins is a function of their shared genes and environments ($\mathbf{A}^{**+} + \mathbf{C}^{**+}$). DZ twins on the other hand share only half their genes on average, but the shared environment is by definition also shared completely ($.5 * \mathbf{A}^{**+} + \mathbf{C}^{**+}$).



Note that in R, lower and upper case names are distinguishable so we are using lower case letters for the matrices representing path coefficients **a**, **c** and **e**, rather than **X**, **Y** and **Z** that classic Mx users are familiar with. We continue to use the same upper case letters for matrices representing variance components **A**, **C** and **E**, corresponding to additive genetic (co)variance, shared environmental (co)variance and unique environmental (co)variance respectively, calculated as the square of the path coefficients.

Let's go through each of the matrices step by step. First, we start with the `require(OpenMx)` statement. We include the full code here. As MZ and DZ have to be evaluated together, the models for each will be arguments of

a bigger model. Given the models for the MZ and the DZ group look rather similar, we start by specifying all the common elements and the model-specific elements which will then be included in the two models (`modelMZ` and `modelDZ`) for each of the twin types, defined in separate `mxModel` commands. The combined model (`AceModel`) will then include the individual R objects, the MZ and DZ models with their respective R objects as well as the data and a fit function to combine them.

```
require(OpenMx)

# Set Starting Values
svMe      <- 20      # start value for means
svPa      <- .6      # start value for path coefficients (sqrt(variance/#ofpaths))

# ACE Model
# Matrices declared to store a, d, and e Path Coefficients
pathA     <- mxMatrix( type="Full", nrow=nv, ncol=nv,
                       free=TRUE, values=svPa, label="a11", name="a" )
pathC     <- mxMatrix( type="Full", nrow=nv, ncol=nv,
                       free=TRUE, values=svPa, label="c11", name="c" )
pathE     <- mxMatrix( type="Full", nrow=nv, ncol=nv,
                       free=TRUE, values=svPa, label="e11", name="e" )

# Matrices generated to hold A, C, and E computed Variance Components
covA      <- mxAlgebra( expression=a %*% t(a), name="A" )
covC      <- mxAlgebra( expression=c %*% t(c), name="C" )
covE      <- mxAlgebra( expression=e %*% t(e), name="E" )

# Algebra to compute total variances
covP      <- mxAlgebra( expression=A+C+E, name="V" )

# Algebra for expected Mean and Variance/Covariance Matrices in MZ & DZ twins
meanG     <- mxMatrix( type="Full", nrow=1, ncol=ntv,
                       free=TRUE, values=svMe, label="mean", name="expMean" )
covMZ     <- mxAlgebra( expression= rbind( cbind(V, A+C),
                                           cbind(A+C, V)), name="expCovMZ" )
covDZ     <- mxAlgebra( expression= rbind( cbind(V, 0.5%x%A+ 0.25%x%C),
                                           cbind(0.5%x%A+ 0.25%x%C , V)), name="expCovDZ" )

# Data objects for Multiple Groups
dataMZ    <- mxData( observed=mzData, type="raw" )
dataDZ    <- mxData( observed=dzData, type="raw" )

# Objective objects for Multiple Groups
expMZ     <- mxExpectationNormal( covariance="expCovMZ", means="expMean",
                                  dimnames=selVars )
expDZ     <- mxExpectationNormal( covariance="expCovDZ", means="expMean",
                                  dimnames=selVars )
funML     <- mxFitFunctionML()

# Combine Groups
pars      <- list( pathA, pathC, pathE, covA, covC, covE, covP )
modelMZ   <- mxModel( pars, meanG, covMZ, dataMZ, expMZ, funML, name="MZ" )
modelDZ   <- mxModel( pars, meanG, covDZ, dataDZ, expDZ, funML, name="DZ" )
fitML     <- mxFitFunctionMultigroup(c("MZ.fitfunction", "DZ.fitfunction"))
AceModel  <- mxModel( "ACE", pars, modelMZ, modelDZ, fitML )

# Run ADE model
AceFit    <- mxRun(AceModel, intervals=T)
AceSumm   <- summary(AceFit)
```

AceSumm

Each line can be pasted into R, and then evaluated together once the whole model is specified. First, we create R objects to hold start values for the means (`svMe`) and the path coefficients (`svPa`) of the model. For the latter, we use the value of the variance divided by the number of variance components (paths) and take the square root.

```
# Set Starting Values
svMe      <- 20      # start value for means
svPa      <- .6      # start value for path coefficients (sqrt(variance/#ofpaths))
```

Given the current example is univariate (in the sense that we analyze one variable, even though we have measured it in two members of twin pairs), the matrices for the paths *a*, *c* and *e* are all `Full` `nv` x `nv` matrices, with `nv` defined as 1 above, assigned the `free` status `TRUE` and given a 0.6 starting value.

```
# ACE Model
# Matrices declared to store a, d, and e Path Coefficients
pathA     <- mxMatrix( type="Full", nrow=nv, ncol=nv,
                      free=TRUE, values=svPa, label="a11", name="a" )
pathC     <- mxMatrix( type="Full", nrow=nv, ncol=nv,
                      free=TRUE, values=svPa, label="c11", name="c" )
pathE     <- mxMatrix( type="Full", nrow=nv, ncol=nv,
                      free=TRUE, values=svPa, label="e11", name="e" )
```

While the names of these path coefficient matrices are given lower case names, similar to the convention that paths have lower case names, the names for the variance component matrices, obtained from multiplying matrices with their transpose have upper case letters A, C and E which are distinct (as R is case-sensitive). Note that the label in the matrices above is distinct from the matrix names with 11 referring to the first row and column of the matrix. We also use `mxAlgebra` to generate the predicted variance as the sum of the variance components.

```
# Matrices generated to hold A, C, and E computed Variance Components
covA      <- mxAlgebra( expression=a %*% t(a), name="A" )
covC      <- mxAlgebra( expression=c %*% t(c), name="C" )
covE      <- mxAlgebra( expression=e %*% t(e), name="E" )

# Algebra to compute total variances
covP      <- mxAlgebra( expression=A+C+E, name="V" )
```

As the focus is on individual differences, the model for the means is typically simple. We can estimate each of the means, in each of the two groups (MZ & DZ) as free parameters. Alternatively, we can establish whether the means can be equated across order and zygosity by fitting submodels to the saturated model. In this case, we opted to use one ‘grand’ mean, obtained by assigning the same label to the elements of the matrix `expMean` which is a `Full` `1` x `ntv` matrix, where `ntv` is the number of total variables, with free element, labeled `mean` and given a start value of 20. Note that the R object is called `meanG`, which becomes an argument of the two respective models. The `expMean` matrix name defined in the model is then used in both the MZ and DZ model expectations so that all four elements representing means are equated.

```
# Algebra for expected Mean
meanG     <- mxMatrix( type="Full", nrow=1, ncol=ntv,
                      free=TRUE, values=svMe, label="mean", name="expMean" )
```

Previous Mx users will likely be familiar with the look of the expected covariance matrices for MZ and DZ twin pairs. These `2x2` matrices are built by horizontal and vertical concatenation of the appropriate matrix expressions for the variance, the MZ or the DZ covariance. In R, concatenation of matrices is accomplished with the `rbind` and `cbind` functions. Thus to represent the matrices in expression below in R, we use the following code.

$$\text{covMZ} = \begin{bmatrix} a^2 + c^2 + e^2 & a^2 + c^2 \\ a^2 + c^2 & a^2 + c^2 + e^2 \end{bmatrix}$$

$$\text{covDZ} = \begin{bmatrix} a^2 + c^2 + e^2 & .5a^2 + c^2 \\ .5a^2 + c^2 & a^2 + c^2 + e^2 \end{bmatrix}$$

```
# Algebra for expected and Variance/Covariance Matrices in MZ & DZ twins
covMZ      <- mxAlgebra( expression= rbind( cbind(V, A+C),
                                             cbind(A+C, V)), name="expCovMZ" )
covDZ      <- mxAlgebra( expression= rbind( cbind(V, 0.5%x%A+ 0.25%x%C),
                                             cbind(0.5%x%A+ 0.25%x%C , V)), name="expCovDZ" )
```

Next, the observed data are put in a `mxData` object which also includes a `type` argument, such that OpenMx can apply the appropriate fit function. The actual model expectations are combined in the `mxExpectationNormal` statements which reference the respective predicted covariance matrix, predicted means and list of selected variables to map them onto the data. The maximum likelihood fit function `mxFitFunction()` is used to obtain ML estimates of the parameters of the model.

```
# Data objects for Multiple Groups
dataMZ     <- mxData( observed=mzData, type="raw" )
dataDZ     <- mxData( observed=dzData, type="raw" )

# Objective objects for Multiple Groups
expMZ      <- mxExpectationNormal( covariance="expCovMZ", means="expMean",
                                   dimnames=selVars )
expDZ      <- mxExpectationNormal( covariance="expCovDZ", means="expMean",
                                   dimnames=selVars )
funML      <- mxFitFunctionML()
```

As the expected covariance matrices are different for the two groups of twins, we specify two `mxModel` commands which are given a distinct name and arguments for the predicted means and covariances, the data and the objective function to be used to optimize the model. The objects that are common to both models are combined in a list `pars` which is then included in both the MZ and DZ models and the overall model, which contains the two other models as arguments, as well as the `mxFitFunctionMultigroup` to evaluate both models simultaneously. We refer to the correct fit function by adding the name of the model to the two-level argument, i.e. `MZ.fitfunction`.

```
# Combine Groups
pars       <- list( pathA, pathC, pathE, covA, covC, covE, covP )
modelMZ   <- mxModel( pars, meanG, covMZ, dataMZ, expMZ, funML, name="MZ" )
modelDZ   <- mxModel( pars, meanG, covDZ, dataDZ, expDZ, funML, name="DZ" )
fitML     <- mxFitFunctionMultigroup(c("MZ.fitfunction", "DZ.fitfunction" ) )
AceModel  <- mxModel( "ACE", pars, modelMZ, modelDZ, fitML )
```

Model Fitting

We need to invoke the `mxRun` command to start the model evaluation and optimization. Detailed output will be available in the resulting object, which can be obtained by a `summary` statement.

```
# Run ADE model
AceFit    <- mxRun(AceModel, intervals=T)
AceSumm   <- summary(AceFit)
AceSumm
```

Often, however, one is interested in specific parts of the output. In the case of twin modeling, we typically will inspect the expected covariance matrices and mean vectors, the parameter estimates, and possibly some derived quantities, such as the standardized variance components, obtained by dividing each of the components by the total variance. Note in the code below that the `mxEval` command allows easy extraction of the values in the various matrices/algebras which form the first argument, with the model name as second argument. Once these values have been put in new objects, we can use and regular R expression to derive further quantities or organize them in a convenient format for

including in tables. Note that helper functions could (and will likely) easily be written for standard models to produce ‘standard’ output.

```
# Generate ACE Model Output
estMean <- mxEval(expMean, AceFit$MZ) # expected mean
estCovMZ <- mxEval(expCovMZ, AceFit$MZ) # expected covariance matrix for MZ's
estCovDZ <- mxEval(expCovDZ, AceFit$DZ) # expected covariance matrix for DZ's
estVA <- mxEval(a*a, AceFit) # additive genetic variance, a^2
estVC <- mxEval(c*c, AceFit) # dominance variance, d^2
estVE <- mxEval(e*e, AceFit) # unique environmental variance, e^2
estVP <- (estVA+estVC+estVE) # total variance
estPropVA <- estVA/estVP # standardized additive genetic variance
estPropVC <- estVC/estVP # standardized dominance variance
estPropVE <- estVE/estVP # standardized unique environmental variance
estACE <- rbind(cbind(estVA,estVC,estVE), # table of estimates
                cbind(estPropVA,estPropVC,estPropVE))
LL_ACE <- mxEval(objective, AceFit) # likelihood of ADE model
```

3.5.2 Alternative Models: an AE Model

To evaluate the significance of each of the model parameters, nested submodels are fit in which these parameters are fixed to zero. If the likelihood ratio test between the two models is significant, the parameter that is dropped from the model significantly contributes to the phenotype in question. Here we show how we can fit the AE model as a submodel with a change in one `mxMatrix` command. First, we call up the previous ‘full’ model as the first argument of a new model `AeModel` and give it a new name `AE`. Next we re-specify the matrix `c` to be fixed to zero by changing the attributes associated with the specific parameter `c11` to fixed at zero using a `omxSetParameters` command. We can run this model in the same way as before and generate similar summaries of the results.

```
# Run AE model
AeModel <- mxModel( AceFit, name="AE" )
AeModel <- omxSetParameters( AeModel, labels="c11", free=FALSE, values=0 )
AeFit <- mxRun( AeModel )

# Generate AE Model Output
estVA <- mxEval(a*a, AeFit) # additive genetic variance, a^2
estVE <- mxEval(e*e, AeFit) # unique environmental variance, e^2
estVP <- (estVA+estVE) # total variance
estPropVA <- estVA/estVP # standardized additive genetic variance
estPropVE <- estVE/estVP # standardized unique environmental variance
estAE <- rbind(cbind(estVA,estVE), # table of estimates
                cbind(estPropVA,estPropVE))
LL_AE <- mxEval(objective, AeFit) # likelihood of AE model
```

We use a likelihood ratio test (or take the difference between -2 times the log-likelihoods of the two models) to determine the best fitting model, and print relevant output.

```
LRT_ACE_AE <- LL_AE-LL_ACE
```

```
#Print relevant output
ACEest
AEest
LRT_ACE_AE
```

These models may also be specified using paths instead of matrices, which allow for easier submodel specification. See *Genetic Epidemiology, Path Specification* for path specification of these models.

3.6 Definition Variables, Matrix Specification

This example will demonstrate the use of OpenMx definition variables with the implementation of a simple two group dataset. What are definition variables? Essentially, definition variables can be thought of as observed variables which are used to change the statistical model on an individual case basis. In essence, it is as though one or more variables in the raw data vectors are used to specify the statistical model for that individual. Many different types of statistical models can be specified in this fashion; some can be readily specified in standard fashion, and some that cannot. To illustrate, we implement a two-group model. The groups differ in their means but not in their variances and covariances. This situation could easily be modeled in a regular multiple group fashion - it is only implemented using definition variables to illustrate their use. The results are verified using summary statistics and an Mx 1.0 script for comparison is also available.

3.6.1 Mean Differences

The example shows the use of definition variables to test for mean differences. It is available in the following file:

- http://openmx.psyc.virginia.edu/svn/trunk/demo/DefinitionMeans_MatrixRaw.R

A parallel version of this example, using path specification of models rather than matrices, can be found here:

- http://openmx.psyc.virginia.edu/svn/trunk/demo/DefinitionMeans_PathRaw.R

Statistical Model

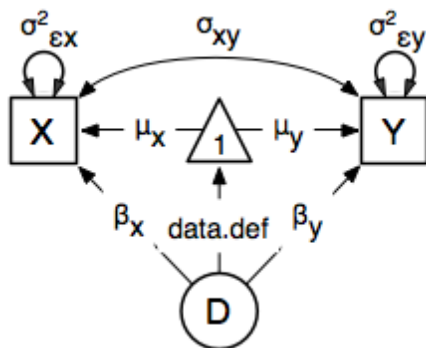
Algebraically, we are going to fit the following model to the observed x and y variables:

$$x_i = \mu_x + \beta_x * def + \epsilon_{xi}$$

$$y_i = \mu_y + \beta_y * def + \epsilon_{yi}$$

where def is the definition variable and the residual sources of variance, ϵ_{xi} and ϵ_{yi} covary to the extent ρ . So, the task is to estimate: the two means μ_x and μ_y ; the deviations from these means due to belonging to the group identified by having def set to 1 (as opposed to zero), β_x and β_y ; and the parameters of the variance covariance matrix: $cov(\epsilon_x, \epsilon_y) = \rho$.

Our task is to implement the model shown in the figure below:



Data Simulation

Our first step to running this model is to simulate the data to be analyzed. Each individual is measured on two observed variables, x and y , and a third variable def which denotes their group membership with a 1 or a 0. These values for

group membership are not accidental, and must be adhered to in order to obtain readily interpretable results. Other values such as 1 and 2 would yield the same model fit, but would make the interpretation more difficult.

```
library(MASS) # to get hold of mvnorm function
set.seed(200)
N             <- 500
Sigma        <- matrix(c(1, .5, .5, 1), 2, 2)
group1      <- mvnorm(N, c(1, 2), Sigma) # Use mvnorm from MASS package
group2      <- mvnorm(N, c(0, 0), Sigma)
```

We make use of the superb R function `mvnorm` in order to simulate $N=500$ records of data for each group. These observations correlate $.5$ and have a variance of 1, per the matrix `Sigma`. The means of x and y in group 1 are 1.0 and 2.0, respectively; those in group 2 are both zero. The output of the `mvnorm` function calls are matrices with 500 rows and 3 columns, which are stored in `group1` and `group2`. Now we create the definition variable

```
# Put the two groups together, create a definition variable,
# and make a list of which variables are to be analyzed (selVars)
xy             <- rbind(group1, group2) # Bind groups together by rows
dimnames(xy)[2] <- list(c("x", "y")) # Add names
def           <- rep(c(1, 0), each=N); # Add def var [2n] for group status
selVars       <- c("x", "y") # Make selection variables object
```

The objects `xy` and `def` might be combined in a data frame. However, in this case we won't bother to do it externally, and simply paste them together in the `mxData` function call.

Model Specification

The following code contains all of the components of our model. Before running a model, the OpenMx library must be loaded into R using either the `require()` or `library()` function. This code uses the `mxModel` function to create an `mxModel` object, which we'll then run. Note that all the objects required for estimation (data, matrices, and an objective function) are declared within the `mxModel` function. This type of code structure is recommended for OpenMx scripts generally.

```
defMeansModel <- mxModel("Definition Means Matrix Specification",
  mxFitFunctionML(),
  mxExpectationNormal(covariance="Sigma", means="Mu", dimnames=selVars)
```

The first argument in an `mxModel` function has a special purpose. If an object or variable containing an `MxModel` object is placed here, then `mxModel` adds to or removes pieces from that model. If a character string (as indicated by double quotes) is placed first, then that becomes the name of the model. Models may also be named by including a name argument. This model is named "Definition Means Matrix Specification".

The second argument in this `mxModel` call is itself a function. It declares that the fit function to be optimized is maximum likelihood (ML), which is tagged `mxFitFunctionML`. Full information maximum likelihood (FIML) is used whenever the data allow, and does not need to be requested specifically. The third argument in this `mxModel` is another function. It declares the expectation function to be a normal distribution, `mxExpectationNormal`. This means the model is of a normal distribution with a particular mean and covariance. Hence, there are in turn two arguments to this function: the covariance matrix `Sigma` and the mean vector `Mu`. These matrices will be defined later in the `mxModel` function call.

Model specification is carried out using `mxMatrix` functions to create matrices for the model. In the present case, we need four matrices. First is the predicted covariance matrix, `Sigma`. Next, we use three matrices to specify the model for the means. First is `M` which corresponds to estimates of the means for individuals with definition variables with values of zero. Individuals with definition variable values of 1 will have the value in `M` plus the value in the matrix `beta`. So both matrices are of size 1×2 and both contain two free parameters. There is a separate deviation for each of the variables, which will be estimated in the elements 1,1 and 1,2 of the `beta` matrix. Last, but by no means least, is

the matrix `def` which contains the definition variable. The variable `def` in the `mxData` data frame is referred to in the matrix label as `data.def`. In the present case, the definition variable contains a 1 for group 1, and a zero otherwise.

```
# covariance matrix
Sigma      <- mxMatrix( type="Symm", nrow=2, ncol=2,
                        free=TRUE, values=c(1, 0, 1), name="Sigma" )

# means
Mean       <- mxMatrix( type="Full", nrow=1, ncol=2,
                        free=TRUE, name="Mean" )

# regression coefficient
beta      <- mxMatrix( type="Full", nrow=1, ncol=2,
                        free=TRUE, values=c(0,0), name="beta" )

# definition variable
dataDef    <- mxMatrix( type="Full", nrow=1, ncol=2,
                        free=FALSE, labels=c("data.def"), name="def" )

Mu        <- mxAlgebra( expression=Mean + beta*def, name="Mu" )
dataRaw   <- mxData( observed=data.frame(xy,def), type="raw" )
exp       <- mxExpectationNormal( covariance="Sigma", means="Mu", dimnames=selVars )
funML     <- mxFitFunctionML()
defMeansModel <- mxModel("Definition Means Matrix Specification",
                        dataRaw, Sigma, M, beta, dataDef, Mu, exp, funML)
```

The trick - commonly used in regression models - is to multiply the `beta` matrix by the `def` matrix. This multiplication is effected using an `mxAlgebra` function call:

```
Mu      <- mxAlgebra( expression=Mean+beta*def, name="Mu" )
```

The result of this algebra is named `Mu`, and this handle is referred to in the `mxExpectationNormal` function call.

Next, we declare where the data are, and their type, by creating an `MxData` object with the `mxData` function. This piece of code creates an `MxData` object. It first references the object where our data are, then uses the `type` argument to specify that this is raw data. Because the data are raw and the fit function is `mxFitFunctionML`, full information maximum likelihood is used in this `mxModel`. Analyses using definition variables have to use raw data, so that the model can be specified on an individual data vector level.

```
dataRaw   <- mxData( observed=data.frame(xy,def), type="raw" )
```

We can then run the model and examine the output with a few simple commands.

Model Fitting

```
# Run the model
defMeansFit <- mxRun(defMeansModel)
defMeansFit$matrices
defMeansFit$algebras
```

It is possible to compare the estimates from this model to some summary statistics computed from the data:

```
# Compare OpenMx estimates to summary statistics computed from raw data.
# Note that to calculate the common variance,
# group 1 has 1 and 2 subtracted from every Xi and Yi in the sample data,
# so as to estimate variance of combined sample without the mean correction.

# First compute some summary statistics from data
ObsCovs<-cov(rbind(group1 - rep(c(1,2),each=N), group2))
ObsMeansGroup1<-c(mean(group1[,1]), mean(group1[,2]))
ObsMeansGroup2<-c(mean(group2[,1]), mean(group2[,2]))
```

```
# Second extract parameter estimates and matrix algebra results from model
Sigma <- mxEval(Sigma, defMeansFit)
Mu <- mxEval(Mu, defMeansFit)
M <- mxEval(M, defMeansFit)
beta <- mxEval(beta, defMeansFit)

# Third, check to see if things are more or less equal
omxCheckCloseEnough(ObsCovs, Sigma, .01)
omxCheckCloseEnough(ObsMeansGroup1, as.vector(M+beta), .001)
omxCheckCloseEnough(ObsMeansGroup2, as.vector(M), .001)
```

These models may also be specified using paths instead of matrices. See *Definition Variables, Path Specification* for path specification of these models.

3.7 Likelihood, Matrix Specification

This example use an `mxAlgebra` likelihood function to compare the fit of two models for the population frequencies of the A, B and O blood groups. It is based on the textbook *Likelihood*, by Anthony William Fairbank Edwards (1972; 1984). Human beings may be classified according to which of four ABO blood groups they belong: A, B, AB, or O. These groups can be phenotypically distinguished by which antibodies they produce, and this is important for blood transfusions. Patients receiving blood containing an antigen that they do not produce have an adverse reaction to it.

Two hypotheses were advanced to account for the ABO variation. The single locus model posited that there exists one locus with three alleles, A, B and O. Allele A generates antibody A, allele B generates antibody B, and allele O generates neither. Under the two locus model, there is a diallelic A locus, with one allele that produces antibody A, and another that does not. At a second, unlinked, locus B, antigen B is generated by those who have at least one B allele. We try not to make jokes about people who have the BO genotype. For a more thorough account of the ABO blood group system, the Wikipedia article http://en.wikipedia.org/wiki/ABO_blood_group_system is a good starting point.

The two scripts are available in these files:

- <http://openmx.psyc.virginia.edu/svn/trunk/demo/OneLocusLikelihood.R>

and

- <http://openmx.psyc.virginia.edu/svn/trunk/demo/TwoLocusLikelihood.R>

For (former) users of the first version of Mx, scripts for that software can be found here:

- <http://openmx.psyc.virginia.edu/svn/trunk/models/passing/mx-scripts/one.mx>
- <http://openmx.psyc.virginia.edu/svn/trunk/models/passing/mx-scripts/two.mx>

3.7.1 Specification of the Single Locus Model

Data

Data from the German mathematician *Felix Bernstein* <http://en.wikipedia.org/wiki/Felix_Bernstein> (1924) are used for this example. Their observed frequencies are shown in this table, along with expected proportions in the population under the single locus model. A good exercise is to derive the expected proportions by hand. A key consideration is that several different genotypes (combinations of alleles) may generate a single phenotype (observed antigens in the blood). Due to the genetic dominance of allele A, both AA and AO genotypes produce the blood group A phenotype.

Single Locus Model

The single locus dominant genetic model, with alleles A and B being codominant (resulting in the AB blood group phenotype) predicts that certain proportions of each blood group will occur in the population. These proportions depend on, and can be expressed as functions of, the allele frequencies. Let the frequencies of alleles A, B and O be p, q and r , respectively. We assume that parents mate at random with respect to their blood groups, so that the likelihood of inheriting two A alleles becomes simply the product of the allele frequencies in the population, i.e., p^2 . Thus we are able to draw up a Table of the expected proportions of each blood group as a function of the parameters p, q and r . These unknown parameters will be estimated from the data using numerical optimization, subject to the constraint that $p + q + r = 1$.

Phenotype	Genotypes	Frequency	Proportion
A	AO, AA	234	$p(p+2r)$
B	BO, BB	261	$q(q+2r)$
AB	AB	182	$2pq$
O	OO	94	r^2

The individuals in this sample are considered to be statistically independent. Therefore the likelihood of observing, e.g., 234 individuals with blood type A, is simply $(p(p + 2r))^{234}$ and the log-likelihood is $234 \log p(p + 2r)$. The OpenMx script will use the four log-likelihoods of the four phenotypes, and sum them to obtain the overall log-likelihood. Optimization proceeds by minimization by default, so we minimize the negative log-likelihood in order to maximize the log-likelihood. The following code block specifies this model. There

```
require(OpenMx)

# Bernstein data on ABO blood-groups
# c.f. Edwards, AWF (1972) Likelihood. Cambridge Univ Press, pp. 39-41

# Matrices for allele frequencies, p, q and r
matP <- mxMatrix( type="Full", nrow=1, ncol=1,
                  free=TRUE, values=c(.3333), name="P")
matQ <- mxMatrix( type="Full", nrow=1, ncol=1,
                  free=TRUE, values=c(.3333), name="Q")
matR <- mxMatrix( type="Full", nrow=1, ncol=1,
                  free=TRUE, values=c(.3333), name="R")

# Matrix of observed data
const <- mxConstraint(P+Q+R == 1, name="EqualityConstraint")
obsFreq <- mxMatrix( type="Full", nrow=4, ncol=1,
                    values=c(211,104,39,148), name="ObservedFreqs")

# Algebra for predicted proportions
expFreq <- mxAlgebra( expression=rbind(P*(P+2*R), Q*(Q+2*R), 2*P*Q, R*R),
                    name="ExpectedFreqs")

# Algebra for -2logLikelihood
m2ll <- mxAlgebra( expression=-(sum(log(ExpectedFreqs)
                                * ObservedFreqs)), name="NegativeLogLikelihood")

# User-defined objective
funAl <- mxFitFunctionAlgebra("NegativeLogLikelihood")

OneLocusModel <- mxModel("OneLocus",
                        matP, matQ, matR, const, obsFreq, expFreq, m2ll, funAl)

OneLocusFit <- mxRun(OneLocusModel)
OneLocusFit@matrices
OneLocusFit@algebras
```

Answers should be 0.2945 0.1540 0.5515 for the allele frequencies p, q and r , respectively, and 627.104 for the negative log-likelihood. We now turn to the alternative two-locus model.

Two Locus Model Specification

Under the two locus model, we allow for two unlinked (i.e. segregating independently of each other) diallelic loci, A and B. We denote the O allele as a at the A locus, and as b at the B locus, so as to distinguish between these two alleles, neither of which generates an antigen. Thus genotypes at the A locus can be AA, Aa, or aa, with genotype frequencies p^2 , $2pq$ and q^2 , where p is the proportion of allele p in the population, and $q = 1 - p$ is the proportion of allele a. Similarly, genotypes at the B locus can be BB, Bb or bb, with genotype frequencies s^2 , $2st$ and t^2 , given allele frequencies s and t , respectively. Due to the dominance of A over a and B over b, only those with aabb genotypes will belong to blood group O (no antigens). The number the genotype combinations which generate a particular blood group is generally larger than under the single locus model. The combinations, and their expected frequencies in the population, are given in the following Table:

Phenotype	Genotypes	Frequency	Proportion
A	AAbb, Aabb	234	$(p^2+2pq)*t^2$
B	aaBB, aaBb	261	$q^2(s^2+2st)$
AB	AABB, AABb, AaBB, AaBb	182	$(p^2+2pq)(s^2+2st)$
O	aabb	94	q^2t^2

The R script to fit this model is very similar to that of the single locus model. Note, however, that it does not feature the `mxConstraint` function. There are in fact two constraints, $q = 1 - p$ and $t = 1 - s$, but these are trivial and easily dealt with using `mxAlgebra` statements. Although one might think that this approach would be suitable for the single locus model, in which $r = 1 - p - q$, a difficulty arises because there is no straightforward way to restrict $p + q \leq 1$ which is necessary for $r \geq 0$. Models specified so that an allele frequency can go negative during optimization are inherently fragile. A negative allele frequency would potentially result in negative likelihoods, and undefined log-likelihoods. Bounding the parameters to lie between 0.0 and 1.0 provides sufficient robustness to this potential problem.

```
require(OpenMx)

# Bernstein data on ABO blood-groups
# c.f. Edwards, AWF (1972) Likelihood. Cambridge Univ Press, pp. 39-41

# Matrices for allele frequencies, p and s
matP <- mxMatrix( type="Full", nrow=1, ncol=1,
                  free=TRUE, values=c(.3333), name="P")
matS <- mxMatrix( type="Full", nrow=1, ncol=1,
                  free=TRUE, values=c(.3333), name="S")

# Matrix of observed data
obsFreq <- mxMatrix( type="Full", nrow=4, ncol=1,
                    values=c(211,104,39,148), name="ObservedFreqs")
matQ <- mxAlgebra( expression=1-P, name="Q")
matT <- mxAlgebra( expression=1-S, name="T")

# Algebra for predicted proportions
expFreq <- mxAlgebra( rbind( (P*P+2*P*Q)*T*T, (Q*Q)*(S*S+2*S*T),
                             (P*P+2*P*Q)*(S*S+2*S*T), (Q*Q)*(T*T) ), name="ExpectedFreqs")

# Algebra for -2logLikelihood
m2ll <- mxAlgebra( expression=- (sum(log(ExpectedFreqs)
                                   * ObservedFreqs)), name="NegativeLogLikelihood")

# User-defined objective
funAl <- mxFitFunctionAlgebra("NegativeLogLikelihood")

TwoLocusModel <- mxModel("TwoLocus",
                        matP, matS, matQ, matT, obsFreq, expFreq, m2ll, funAl)

TwoLocusFit<-mxRun(TwoLocusModel)
TwoLocusFit@matrices
TwoLocusFit@algebras
```


Results

The allele frequencies estimated by this script should be $p = 0.2929$, $s = 0.1532$ with negative log-likelihood of 646.972 units. Comparison of this model with the single locus one shows that although they have the same number of free parameters (the third allele frequency in the single locus model is constrained) the single locus model has much greater support. Investigation of the `ExpectedFreqs` algebra in the two models helps to illustrate why.

3.8 Ordinal and Joint Ordinal-Continuous Model Specification

This chapter deals with the specification of models that are either fit exclusively to ordinal variables or to a mix of ordinal and continuous variables. It extends the continuous data common factor model found in previous chapters to ordinal data.

The examples for this chapter can be found in the following files:

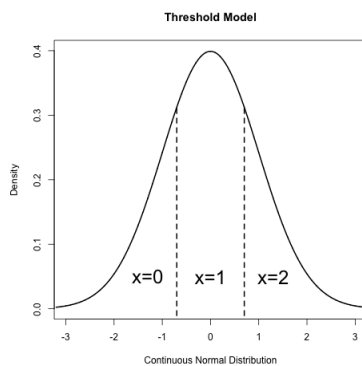
- http://openmx.psyc.virginia.edu/svn/trunk/demo/OneFactorOrdinal_MatrixRaw.R
- http://openmx.psyc.virginia.edu/svn/trunk/demo/OneFactorOrdinal01_MatrixRaw.R

The continuous versions of these models for raw data can be found the previous demos here:

- http://openmx.psyc.virginia.edu/svn/trunk/demo/OneFactorModel_MatrixRaw.R
- http://openmx.psyc.virginia.edu/svn/trunk/demo/OneFactorModel_PathRaw.R

3.8.1 Ordinal Data

OpenMx models ordinal data under a threshold model. A continuous normal distribution is assumed to underly every ordinal variable. These latent continuous distributions are only observed as being above or below a threshold, where there is one fewer threshold than observed categories in the data. For example, consider a variable with three ordered categories indicated by the values zero, one and two. Under this approach, this variable is assumed to follow a normal distribution that is partitioned or cut by two thresholds: individuals with underlying scores below the first threshold have an observed value of zero, individuals with latent scores between the thresholds are observed with values of one, and individuals with underlying scores give observed values of two.



Each threshold may be freely estimated or assigned as a fixed parameter, depending on the desired model. In addition to the thresholds, ordinal variables still have a mean and variance that describes the parameters of the underlying continuous distribution. However, this underlying distribution must be scaled by fixing at least two parameters to identify the model. One method of identification fixes the mean and variance to specific values, most commonly to a standard normal distribution with a mean of zero and a variance of one. A variation on this method fixes the residual variance of the categorical variable to one, which is often easier to specify. Alternatively, categorical variables may be identified by fixing two thresholds to non-equivalent constant values. These methods will differ in the scale assigned

to the ordinal variables (and thus, the scale of the parameters estimated from them), but all identify the same model and should provide equally valid results.

OpenMx allows for the inclusion of continuous and ordinal variables in the same model, as well as models with only continuous or only ordinal variables. Any number of continuous variables may be included in an OpenMx model; however, maximum likelihood estimation for ordinal data must be limited to twenty ordinal variables regardless of the number of continuous variables. Further technical details on ordinal and joint continuous-ordinal optimization are contained at the end of this chapter.

Specifying Data for Ordinal Models

To use ordinal variables in OpenMx, users must identify ordinal variables by specifying those variables as ordered factors in the included data. Ordinal models can only be fit to raw data; if data is described as a covariance or other moment matrix, then the categorical nature of the data was already models to generate that moment matrix. Ordinal variables must be defined as specific columns in an R data frame.

Factors are a type of variable included in an R data frame. Unlike numeric or continuous variables, which must include only numeric and missing values, observed values for factors are treated as character strings. All factors contain a `levels` argument, which lists the possible values for a factor. Ordered factors contain information about the ordering of possible levels. Both R and OpenMx have tools for manipulating factors in data frames. The R functions `factor()` and `as.factor()` (and companions `ordered()` and `as.ordered()`) can be used to specify ordered factors. OpenMx includes a helper function `mxFactor()` which more directly prepares ordinal variables as ordered factors in preparation for inclusion in OpenMx models. The code below demonstrates the `mxFactor()` function, replacing the variable `z1` that was initially read as a continuous variable and treating it as an ordinal variable with two levels. This process is repeated for `z2` (two levels) and `z3` (three levels).

```
data(myFADDataRaw)

oneFactorOrd <- myFADDataRaw[,c("z1", "z2", "z3")]

oneFactorOrd$z1 <- mxFactor(oneFactorOrd$z1, levels=c(0, 1))
oneFactorOrd$z2 <- mxFactor(oneFactorOrd$z2, levels=c(0, 1))
oneFactorOrd$z3 <- mxFactor(oneFactorOrd$z3, levels=c(0, 1, 2))
```

Specifying Threshold Matrices

Just as covariances and means are included in models by specifying matrices and algebras, thresholds may be included in models as threshold matrices. These matrices can be of user-specified type, though most will be of type `Full`. The columns of this matrix should correspond to the ordinal variables in your dataset, with the column names of this matrix corresponding to variables in your data. This assignment can be done either with the `dimnames` argument to `mxMatrix`, or by using the `threshnames` argument in your expectation function the same way `dimnames` arguments are used. The rows of your threshold matrix should correspond to the ordered thresholds for each variable, such that the first row is the lowest threshold for each variable, the second row is the next threshold (provided one or more of your variables have two thresholds), and so on for the maximum number of thresholds you have in your data. Rows of the threshold matrix beyond the number of thresholds in a particular variable should be fixed parameters with starting values of `NA`.

As an example, the data prep example above includes two binary variables (`z1` and `z2`) and one variable with three categories (`z3`). This means that the threshold matrix for models fit to this data should contain three columns (for `z1`, `z2` and `z3`) and two rows, as the variable `z3` requires two thresholds. The code below specifies a 2 x 3 `Full` matrix with free parameters for one threshold for `z1`, one threshold for `z2` and two thresholds for `z3`.

```
thresh <- mxMatrix( type="Full", nrow=2, ncol=3,
                    free=c(TRUE, TRUE, TRUE, FALSE, FALSE, TRUE),
                    values=c(-1, 0, -.5, NA, NA, 1.2), byrow=TRUE, name="thresh" )
```

There are a few common errors regarding the use of thresholds in OpenMx. First, threshold values within each row must be strictly increasing, such that the value in any element of the threshold matrix must be greater than all values above it in that column. In the above example, the second threshold for z_3 is set at 1.2, above the value of -.5 for the first threshold. OpenMx will return an error when your thresholds are not strictly increasing. There are no restrictions on values across columns or variables: the second threshold for z_3 could be below all thresholds for z_1 and z_2 provided it exceeded the value for the first z_3 threshold. Second, the dimnames of the threshold matrix must match ordinal factors in the data. Additionally, free parameters should only be included for thresholds present in your data: including a second freely estimated threshold for z_1 or z_2 in this example would not directly impede model estimation, but would remain at its starting value and count as a free parameter for the purposes of calculating fit statistics.

It is also important to remember that specifying a threshold matrix is not sufficient to get an ordinal data model to run. In addition, the scale of each ordinal variable must be identified just like the scale of a latent variable. The most common method for this involves constraining a ordinal item's mean to zero and either its total or residual variance to a constant value (i.e., one). For variables with two or more thresholds, ordinal variables may also be identified by constraining two thresholds to fixed values. Models that don't identify the scale of their ordinal variables should not converge.

While thresholds can't be expressed as paths between variables like other parts of the model, OpenMx supports a path-like interface called `mxThreshold` as of version 2.0. This function is described in more detail in the ordinal data version of this chapter and the `mxThreshold` help file.

Users of original or "classic" Mx may recall specifying thresholds not in absolute terms, but as deviations. This method estimated the difference between each threshold for a variable and the previous one, which ensured that thresholds were in the correct order (i.e., that the second threshold for a variable was not lower than the first). While users may employ this method using `mxAlgebra` as it suits them, OpenMx does not require this technique. Simply specifying a thresholds matrix is typically sufficient to keep thresholds in proper order.

Including Thresholds in Models

Finally, the threshold matrix must be identified as such in the expectation function in the same way that other matrices are identified as means or covariance matrices. Both the `mxExpectationNormal` and `mxExpectationRAM` contain a `thresholds` argument, which takes the name of the matrix or algebra to be used as the threshold matrix for a given analysis. Although specifying `type='RAM'` generates a RAM expectation function, this expectation function must be replaced by one with a specified thresholds matrix.

You must specify dimnames (dimension names) for your thresholds matrix that correspond to the ordered factors in the data you wish to analyze. This may be done in either of two ways, both of which correspond to specifying dimnames for other OpenMx matrices. One method is to use the `threshnames` argument in the `mxExpectationNormal` or `mxExpectationRAM` functions, which specifies which variables are in a threshold matrix in the same way the `dimnames` argument specifies which variables are in the rest of the model. Another method is to specify dimnames for each matrix using the `dimnames` argument in the `mxMatrix` function. Either method may be used, but it is important to use the same method for all matrices in a given model (either using expectation function arguments `dimnames` and `threshnames` or supplying `dimnames` for all `mxMatrix` objects manually). Expectation function arguments `dimnames` and `threshnames` supersede the matrix `dimname` arguments, and `threshnames` will take the value of the `dimnames` if both `dimnames` and `thresholds` are specified but `threshnames` is omitted.

The code below specifies an `mxExpectationRAM` to include a thresholds matrix names `''thresh''`. When models are built using `type='RAM'`, the `dimnames` argument may be omitted, as the requisite `dimnames` for the A, S, F and M matrices are generated from the `manifestVars` and `latentVars` lists. However, the `dimnames` for the threshold matrix should be included using the `dimnames` argument in `mxMatrix`.

```
mxExpectationRAM(A="A", S="S", F="F", M="M", thresholds="thresh")
```

3.8.2 Example: Common Factor Model for Ordinal Data

All of the raw data examples through the documentation may be converted to ordinal examples by the inclusion of ordinal data, the specification of a threshold matrix and inclusion of that threshold matrix in the expectation function. The following example is a version of the continuous data common factor model referenced at the beginning of this chapter. Aside from replacing the continuous variables x_1 – x_6 with the ordinal variables z_1 – z_3 , the code below simply incorporates the steps referenced above into the existing example. Data preparation occurs first, with the added `mxFactor` statements to identify ordinal variables and their ordered levels.

```
require (OpenMx)

data (myFADataRaw)

oneFactorOrd <- myFADataRaw[,c("z1", "z2", "z3")]

oneFactorOrd$z1 <- mxFactor(oneFactorOrd$z1, levels=c(0, 1))
oneFactorOrd$z2 <- mxFactor(oneFactorOrd$z2, levels=c(0, 1))
oneFactorOrd$z3 <- mxFactor(oneFactorOrd$z3, levels=c(0, 1, 2))
```

Model specification can be achieved by appending the above threshold matrix and expectation function to either the path or matrix common factor examples. The path example below has been altered by changing the variable names from x_1 – x_6 to z_1 – z_3 , adding the threshold matrix and expectation function, and identifying the ordinal variables by constraining their means to be zero and their residual variances to be one.

```
dataRaw <- mxData(oneFactorOrd, type="raw"),
# asymmetric paths
matrA <- mxMatrix( type="Full", nrow=4, ncol=4,
  free=c(F,F,F,T,
         F,F,F,T,
         F,F,F,T,
         F,F,F,F),
  values=c(0,0,0,1,
           0,0,0,1,
           0,0,0,1,
           0,0,0,0),
  labels=c(NA,NA,NA,"11",
           NA,NA,NA,"12",
           NA,NA,NA,"13",
           NA,NA,NA,NA),
  byrow=TRUE, name="A" )

# symmetric paths
matrS <- mxMatrix( type="Symm", nrow=4, ncol=4,
  free=FALSE,
  values=diag(4)
  labels=c("e1", NA, NA, NA,
           NA,"e2", NA, NA,
           NA, NA,"e3", NA,
           NA, NA, NA,"varF1"),
  byrow=TRUE, name="S" )

# filter matrix
matrF <- mxMatrix( type="Full", nrow=3, ncol=4,
  free=FALSE, values=c(1,0,0,0, 0,1,0,0, 0,0,1,0),
  byrow=TRUE, name="F" )

# means
matrM <- mxMatrix( type="Full", nrow=1, ncol=4,
  free=FALSE, values=0,
  labels=c("meanz1", "meanz2", "meanz3", NA), name="M" )
thresh <- mxMatrix( type="Full", nrow=2, ncol=3,
```

```

        free=c(TRUE,TRUE,TRUE,FALSE,FALSE,TRUE),
        values=c(-1,0,-.5,NA,NA,1.2), byrow=TRUE, name="thresh" )
exp      <- mxExpectationRAM("A","S","F","M", dimnames=c("z1","z2","z3","F1"),
        thresholds="thresh", threshnames=c("z1","z2","z3")),
funML    <- mxFitFunctionML()

oneFactorModel <- mxModel("Common Factor Model Matrix Specification",
        dataRaw, matrA, matrS, matrF, matrM, thresh, exp, funML)

```

This model may then be optimized using the `mxRun` command.

```
oneFactorResults <- mxRun(oneFactorModel)
```

3.8.3 Example: Common Factor Model for Joint Ordinal-Continuous Data

Models with both continuous and ordinal variables may be specified just like any other ordinal data model. Threshold matrices in these models should contain columns only for the ordinal variables, and should contain column names to designate which variables are to be treated as ordinal. In the example below, the one factor model above is estimated with three continuous variables (x_1 - x_3) and three ordinal variables (z_1 - z_3).

```
require(OpenMx)
```

```

oneFactorJoint <- myFADataRaw[,c("x1", "x2", "x3", "z1", "z2", "z3")]

oneFactorJoint$z1 <- mxFactor(oneFactorOrd$z1, levels=c(0, 1))
oneFactorJoint$z2 <- mxFactor(oneFactorOrd$z2, levels=c(0, 1))
oneFactorJoint$z3 <- mxFactor(oneFactorOrd$z3, levels=c(0, 1, 2))

dataRaw      <- mxData(observed=oneFactorJoint, type="raw")
# asymmetric paths
matrA        <- mxMatrix( type="Full", nrow=7, ncol=7,
        free=c(rep(c(F,F,F,F,F,F,T),6),rep(F,7)),
        values=c(rep(c(0,0,0,0,0,0,1),6),rep(F,7)),
        labels=rbind(cbind(matrix(NA,6,6),matrix(paste("1",1:6,sep=""),6,1)),
        matrix(NA,1,7)),
        byrow=TRUE, name="A" )

# symmetric paths
labelsS      <- matrix(NA,7,7); diag(labelsS) <- c(paste("e",1:6,sep=""),"varF1")
matrS        <- mxMatrix( type="Symm", nrow=7, ncol=7,
        free= rbind(cbind(matrix(as.logical(diag(3)),3,3),matrix(F,3,4)),
        matrix(F,4,7)),
        values=diag(7), labels=labelsS, byrow=TRUE, name="S" )

# filter matrix
matrF        <- mxMatrix( type="Full", nrow=6, ncol=7,
        free=FALSE, values=cbind(diag(6),matrix(0,6,1)),
        byrow=TRUE, name="F" )

# means
matrM        <- mxMatrix( type="Full", nrow=1, ncol=7,
        free=c(T,T,T,F,F,F,F), values=c(1,1,1,0,0,0,0),
        labels=c("meanx1","meanx2","meanx3","meanz1","meanz2","meanz3",NA),
        name="M" )

thresh       <- mxMatrix( type="Full", nrow=2, ncol=3,
        free=c(TRUE,TRUE,TRUE,FALSE,FALSE,TRUE),
        values=c(-1,0,-.5,NA,NA,1.2), byrow=TRUE, name="thresh" )
exp          <- mxExpectationRAM("A","S","F","M",
        dimnames=c("x1","x2","x3","z1","z2","z3","F1"),
        thresholds="thresh", threshnames=c("z1","z2","z3"))

```

```
funML          <- mxFitFunctionML()

oneFactorJointModel <- mxModel("Common Factor Model Matrix Specification",
                               dataRaw, matrA, matrS, matrF, matrM, thresh, exp, funML)
```

This model may then be optimized using the `mxRun` command.

```
oneFactorJointResults <- mxRun(oneFactorJointModel)
```

3.8.4 Technical Details

Maximum likelihood estimation for ordinal variables by generating expected covariance and mean matrices for the latent continuous variables underlying the set of ordinal variables, then integrating the multivariate normal distribution defined by those covariances and means. The likelihood for each row of the data is defined as the multivariate integral of the expected distribution over the interval defined by the thresholds bordering that row's data. OpenMx uses Alan Genz's SADMVN routine for multivariate normal integration (see <http://www.math.wsu.edu/faculty/genz/software/software.html> for more information).

When continuous variables are present, OpenMx utilizes a block decomposition to separate the continuous and ordinal covariance matrices for FIML. The likelihood of the continuous variables is calculated normally. The effects of the point estimates of the continuous variables is projected out of the expected covariance matrix of the ordinal data. The likelihood of the ordinal data is defined as the multivariate integral over the distribution defined by the resulting ordinal covariance matrix.

3.9 Factor Analysis Ordinal, Matrix Specification

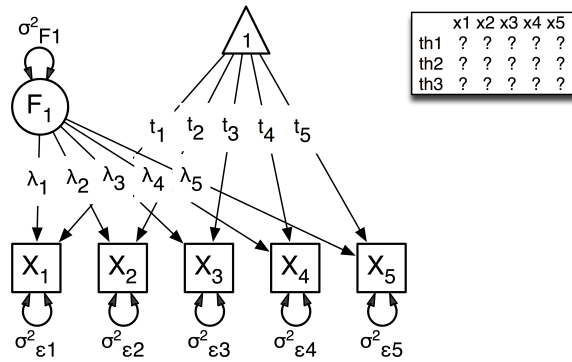
This example builds on the 'Factor Analysis, Matrix Specification' example, and extends it to the ordinal case. We will discuss a common factor model with several indicators. This example can be found in the following files:

- http://openmx.psyc.virginia.edu/svn/trunk/demo/OneFactorModelOrdinal_MatrixRaw.R
- http://openmx.psyc.virginia.edu/svn/trunk/demo/OneFactorModelOrdinal01_MatrixRaw.R

3.9.1 Common Factor Model

The common factor model is a method for modeling the relationships between observed variables believed to measure or indicate the same latent variable. While there are a number of exploratory approaches to extracting latent factor(s), this example uses structural modeling to fit a confirmatory factor model. The model for any person and path diagram of the common factor model for a set of variables $x_1 - x_5$ are given below.

$$x_{ij} = \mu_j + \lambda_j * \eta_i + \epsilon_{ij}$$



The path diagram above displays 16 parameters (represented in the arrows: 5 manifest variances, five manifest means, five factor loadings and one factor variance). However, given we are dealing with ordinal data in this example, we are estimating thresholds rather than means, with `nThresholds` being one less the number of categories in the variables, here 3. Furthermore, we must constrain either the factor variance or one factor loading to a constant to identify the model and scale the latent variable. In this instance, we chose to constrain the variance of the factor. We also need to constrain the total variances of the manifest variables, as ordinal variables do not have a scale of measurement. As such, this model contains 20 free parameters and is not fully saturated.

Data

Our first step to running this model is to include the data to be analyzed. The data for this example were simulated in R. Given the focus of this documentation is on OpenMx, we will not discuss the details of the simulation here, but we do provide the code so that the user can simulate data in a similar way.

```
# Step 1: set up simulation parameters
# Note: nVariables>=5, nThresholds>=1, nSubjects>=nVariables x nThresholds
# (maybe more) and model should be identified
nVariables <- 5
nFactors <- 1
nThresholds <- 3
nSubjects <- 500
isIdentified <- function(nVariables,nFactors)
  as.logical(1+sign((nVariables*(nVariables-1)/2)
    - nVariables*nFactors + nFactors*(nFactors-1)/2))
# if this function returns FALSE then model is not identified, otherwise it is.
isIdentified(nVariables,nFactors)

loadings <- matrix(.7,nrow=nVariables,ncol=nFactors)
residuals <- 1-(loadings * loadings)
sigma <- loadings %**% t(loadings) + vec2diag(residuals)
mu <- matrix(0,nrow=nVariables,ncol=1)

# Step 2: simulate multivariate normal data
set.seed(1234)
continuousData <- mvrnorm(n=nSubjects,mu,sigma)

# Step 3: chop continuous variables into ordinal data
# with nThresholds+1 approximately equal categories, based on 1st variable
quants <- quantile(continuousData[,1], probs = c((1:nThresholds)/(nThresholds+1)))
ordinalData <- matrix(0,nrow=nSubjects,ncol=nVariables)
for(i in 1:nVariables)
{ ordinalData[,i] <- cut(as.vector(continuousData[,i]),c(-Inf,quants,Inf)) }
```

```
# Step 4: make the ordinal variables into R factors
ordinalData <- mxFactor(as.data.frame(ordinalData), levels=c(1:(nThresholds+1)))

# Step 5: name the variables
bananaNames <- paste("banana", 1:nVariables, sep="")
names(ordinalData) <- bananaNames
```

Model Specification

The following code contains all of the components of our model. Before running a model, the OpenMx library must be loaded into R using either the `require()` or `library()` function. All objects required for estimation (data, matrices, an expectation function, and a fit function) are included in their functions. This code uses the `mxModel` function to create an `MxModel` object, which we will then run. We pre-specify a number of ‘variables’, namely the number of variables analyzed `nVariables`, in this case 5, the number of factors `nFactors`, here one, and the number of thresholds `nthresholds`, here 3 or one less than the number of categories in the simulated ordinal variable.

```
facLoads <- mxMatrix( type="Full", nrow=nVariables, ncol=nFactors,
                      free=TRUE, values=0.2, lbound=-.99, ubound=.99, name="facLoadings" )
vecOnes <- mxMatrix( type="Unit", nrow=nVariables, ncol=1, name="vectorofOnes" )
resVars <- mxAlgebra( expression=vectorofOnes -
                      (diag2vec(facLoadings %*% t(facLoadings))), name="resVariances" )
expCovs <- mxAlgebra( expression=facLoadings %*% t(facLoadings) + vec2diag(resVariances),
                      name="expCovariances" )
expMeans <- mxMatrix( type="Zero", nrow=1, ncol=nVariables, name="expMeans" )
threDevs <- mxMatrix( type="Full", nrow=nThresholds, ncol=nVariables,
                      free=TRUE, values=.2,
                      lbound=rep( c(-Inf, rep(.01, (nThresholds-1))) , nVariables),
                      dimnames=list( c(), fruitynames), name="thresholdDeviations" )
unitLower <- mxMatrix( type="Lower", nrow=nThresholds, ncol=nThresholds,
                      free=FALSE, values=1, name="unitLower" )
expThres <- mxAlgebra( expression=unitLower %*% thresholdDeviations,
                      name="expThresholds" )
dataRaw <- mxData( observed=ordinalData, type='raw' )
exp <- mxExpectationNormal( covariance="expCovariances", means="expMeans",
                          dimnames=fruitynames, thresholds="expThresholds" )
funML <- mxFitFunctionML()

oneFactorThresholdModel <- mxModel("oneFactorThresholdModel", dataRaw,
                                   facLoads, vecOnes, resVars, expCovs, expMeans, threDevs,
                                   unitLower, expThres, dataRaw, exp, funML )
```

This `mxModel` function can be split into several parts. First, we give the model a name “Common Factor Threshold-Model Matrix Specification”.

The second component of our code creates an `MxData` object. The example above, reproduced here, first references the object where our data is, then uses the `type` argument to specify that this is raw data.

```
dataRaw <- mxData( observed=ordinalData, type='raw' )
```

The first `mxMatrix` statement declares a `Full nVariables x nFactors` matrix of factor loadings to be estimated, called “`facLoadings`”, where the rows represent the dependent variables and the column(s) represent the independent variable(s). The common factor model requires that one parameter (typically either a factor loading or factor variance) be constrained to a constant value. In our model, we will constrain the factor variance to 1 for identification, and let all the factor loadings be freely estimated. Even though we specify just one start value of 0.2, it is recycled for each of the elements in the matrix. Given the factor variance is fixed to one, and the variances of the observed variables are

fixed to one (see below), the factor loadings are standardized, and thus must lie between -.99 and .99 as indicated by the `lbound` and `ubound` values.

```
# factor loadings
facLoads      <- mxMatrix( type="Full", nrow=nVariables, ncol=nFactors,
                           free=TRUE, values=0.2, lbound=-.99, ubound=.99, name="facLoadings" )
```

Note that if `nFactors`>1, we could add a standardized `mxMatrix` to estimate the correlation between the factors. Such a matrix automatically has 1's on the diagonal, fixing the factor variances to one and thus allowing all the factor loadings to be estimated. In the current example, all the factor loadings are estimated which implies that the factor variance is fixed to 1. Alternatively, we could add a symmetric `1x1` `mxMatrix` to estimate the variance of the factor, when one of the factor loadings is fixed.

As our data are ordinal, we further need to constrain the variances of the observed variables to unity. These variances are made up of the contributions of the latent common factor and the residual variances. The amount of variance explained by the common factor is obtained by squaring the factor loadings. We subtract the squared factor loadings from 1 to get the amount explained by the residual variance, thereby implicitly fixing the variances of the observed variables to 1. To do this for all variables simultaneously, we use matrix algebra functions. We first specify a vector of One's by declaring a Unit `nVariables x 1` matrix called `vectorofOnes`. We need to subtract the squared factor loadings which are on the diagonal of the matrix multiplication of the factor loading matrix `facLoadings` and its transpose. To extract those into squared factor loadings into a vector, we use the `diag2vec` function. This new vector is subtracted from the `vectorofOnes` using an `mxAlgebra` statement to generate the residual variances, and named `resVariances`.

```
vecOnes       <- mxMatrix( type="Unit", nrow=nVariables, ncol=1, name="vectorofOnes" )
# residuals
resVars       <- mxAlgebra( expression=vectorofOnes -
                           (diag2vec(facLoadings %*% t(facLoadings))), name="resVariances" )
```

We then use the reverse function `vec2diag` to put the residual variances on the diagonal and add the contributions through the common factor from the matrix multiplication of the factor loadings matrix and its transpose to obtain the formula for the expected covariances, aptly named `expCovariances`.

```
# expected covariances
expCovs       <- mxAlgebra( expression=facLoadings %*% t(facLoadings) + vec2diag(resVariances),
                           name="expCovariances" )
```

When fitting to ordinal rather than continuous data, we estimate thresholds rather than means. The matrix of thresholds is of size `nThresholds x nVariables` where `nThresholds` is one less than the number of categories for the ordinal variable(s). We still specify a matrix of means, however, it is fixed to zero. An alternative approach is to fix the first two thresholds (to zero and one, see below), which allows us to estimate means and variances in a similar way to fitting to continuous data. Let's first specify the model with zero means and free thresholds.

The means are specified as a Zero `1 x nVariables` matrix, called "expMeans". A means matrix always contains a single row, and one column for every manifest variable in the model.

```
# expected means
expMeans      <- mxMatrix( type="Zero", nrow=1, ncol=nVariables, name="expMeans" )
```

The mean of the factor(s) is also fixed to 1, which is implied by not including a matrix for it. Alternatively, we could explicitly add a Full `1 x nFactors` `mxMatrix` with a fixed value of zero for the factor mean(s), named "facMeans".

We estimate the Full `nThresholds x nVariables` matrix. To make sure that the thresholds systematically increase from the lowest to the highest, we estimate the first threshold and the increments compared to the previous threshold by constraining the increments to be positive. This is accomplished through some R algebra, concatenating *minus infinity* and `(nThreshold-1)` times .01 as the lower bound for the remaining estimates. This matrix of `thresholdDeviations` is then pre-multiplied by a lower triangular matrix of ones of size `nThresholds x nThresholds` to obtain the expected thresholds in increasing order in the `thresholdMatrix`.

```

threDevs      <- mxMatrix( type="Full", nrow=nThresholds, ncol=nVariables,
                           free=TRUE, values=.2,
                           lbound=rep( c(-Inf,rep(.01,(nThresholds-1))) , nVariables),
                           dimnames=list(c(), fruitynames), name="thresholdDeviations" )
unitLower     <- mxMatrix( type="Lower", nrow=nThresholds, ncol=nThresholds,
                           free=FALSE, values=1, name="unitLower" )
# expected thresholds
expThres      <- mxAlgebra( expression=unitLower %**% thresholdDeviations,
                           name="expThresholds" )

```

The final parts of this model are the expectation function and the fit function. The choice of expectation function determines the required arguments. Here we fit to raw ordinal data, thus we specify the matrices for the expected covariance matrix of the data, as well as the expected means and thresholds previously specified. We use `dimnames` to map the model for means, thresholds and covariances onto the observed variables.

```

exp           <- mxExpectationNormal( covariance="expCovariances", means="expMeans",
                                     dimnames=fruitynames, thresholds="expThresholds" )
funML         <- mxFitFunctionML()

```

The free parameters in the model can then be estimated using full information maximum likelihood (FIML) for covariances, means and thresholds. FIML is specified by using raw data with the `mxFitFunctionML`. To estimate free parameters, the model is run using the `mxRun` function, and the output of the model can be accessed from the `@output` slot of the resulting model. A summary of the output can be reached using `summary()`.

```

oneFactorFit <- mxRun(oneFactorThresholdModel)

oneFactorFit$output
summary(oneFactorFit)

```

As indicate above, the model can be re-parameterized such that means and variances of the observed variables are estimated similar to the continuous case, by fixing the first two thresholds. This basically rescales the parameters of the model. Below is the full script:

```

facLoads      <- mxMatrix( type="Full", nrow=nVariables, ncol=nFactors,
                           free=TRUE, values=0.2, lbound=-.99, ubound=2, name="facLoadings" )
resVars       <- mxMatrix( type="Diag", nrow=nVariables, ncol=nVariables,
                           free=TRUE, values=0.9, name="resVariances" )
expCovs       <- mxAlgebra( expression=facLoadings %**% t(facLoadings) + resVariances,
                           name="expCovariances" )
expMeans      <- mxMatrix( type="Zero", nrow=1, ncol=nVariables, name="expMeans" )
threDevs     <- mxMatrix( type="Full", nrow=nThresholds, ncol=nVariables,
                           free=rep( c(F,F,rep(T,(nThresholds-2))) , nVariables),
                           values=rep( c(0,1,rep(.2,(nThresholds-2))) , nVariables),
                           lbound=rep( c(-Inf,rep(.01,(nThresholds-1))) , nVariables),
                           dimnames=list(c(), bananaNames), name="thresholdDeviations" )
unitLower     <- mxMatrix( type="Lower", nrow=nThresholds, ncol=nThresholds,
                           free=FALSE, values=1, name="unitLower" )
expThres      <- mxAlgebra( expression=unitLower %**% thresholdDeviations,
                           name="expThresholds" )

colOnes       <- mxMatrix( type="Unit", nrow=nThresholds, ncol=1, name="columnofOnes" )
matMeans      <- mxAlgebra( expression=expMeans %x% columnofOnes, name="meansMatrix" )
matVars       <- mxAlgebra( expression=sqrt( t(diag2vec(expCovariances)) ) %x% columnofOnes,
                           name="variancesMatrix" )
matThres      <- mxAlgebra( expression=(expThresholds - meansMatrix) / variancesMatrix,
                           name="thresholdMatrix" )
identity      <- mxMatrix( type="Iden", nrow=nVariables, ncol=nVariables, name="Identity" )
stFacLoads    <- mxAlgebra( expression=solve(sqrt(Identity * expCovariances)) %**% facLoadings,

```

```

                                name="standFacLoadings" )
dataRaw      <- mxData( observed=ordinalData, type='raw' )
exp          <- mxExpectationNormal( covariance="expCovariances", means="expMeans",
                                dimnames=bananaNames, thresholds="expThresholds" )
funML       <- mxFitFunctionML()

oneFactorThresholdModel01 <- mxModel("oneFactorThresholdModel01", dataRaw,
                                facLoads, resVars, expCovs, expMeans, threDevs,
                                unitLower, expThres,
                                colOnes, matMeans, matVars, matThres, identity,
                                stFacLoads, dataRaw, exp, funML )

```

We will only highlight the changes from the previous model specification. By fixing the first and second threshold to 0 and 1 respectively for each variable, we are now able to estimate a mean and a variance for each variable instead. If we are estimating the variances of the observed variables, the factor loadings are no longer standardized, thus we relax the upper boundary on the factor loading matrix `facLoadings` to be 2. The residual variances are now directly estimated as a Diagonal matrix of size `nVariables` x `nVariables`, and given a start value higher than that for the factor loadings. As the residual variances are already on the diagonal of the `resVariances` matrix, we no longer need to add the `vec2diag` function to obtain the `expCovariances` matrix.

```

facLoads     <- mxMatrix( type="Full", nrow=nVariables, ncol=nFactors,
                        free=TRUE, values=0.2, lbound=-.99, ubound=2, name="facLoadings" )
resVars      <- mxMatrix( type="Diag", nrow=nVariables, ncol=nVariables,
                        free=TRUE, values=0.9, name="resVariances" )
expCovs      <- mxAlgebra( expression=facLoadings %*% t(facLoadings) + resVariances,
                        name="expCovariances" )

```

Next, we now estimate the means for the observed variables and thus change the `expMeans` matrix to a Full matrix, and set it free. The most complicated change happens to the matrix of `thresholdDeviations`. Its type and dimensions stay the same. However, we now fix the first two thresholds, but allow the remainder of the thresholds (in this case, just one) to be estimated. We use the R `rep` function to make this happen. The `values` statement now has the fixed value of 0 for the first threshold, the fixed value of 1 for the second threshold, and the start value of .2 for the remaining threshold(s). Finally, no change is required for the `lbound` matrix, which is still necessary to keep the estimated increments (third threshold and possible more) positive.

```

expMeans     <- mxMatrix( type="Zero", nrow=1, ncol=nVariables, name="expMeans" )
threDevs     <- mxMatrix( type="Full", nrow=nThresholds, ncol=nVariables,
                        free=rep( c(F,F,rep(T,(nThresholds-2))), nVariables),
                        values=rep( c(0,1,rep(.2,(nThresholds-2))), nVariables),
                        lbound=rep( c(-Inf,rep(.01,(nThresholds-1))), nVariables),
                        dimnames=list(c(), bananaNames), name="thresholdDeviations" )

```

These are all the changes required to fit the alternative specification, which should give the same likelihood and goodness-of-fit statistics as the original one. We have added some matrices and algebra to calculate the ‘standardized’ thresholds and factor loadings which should be equal to those obtained with the original specification. To standardize the thresholds, the respective mean is subtracted from the thresholds, by expanding the means matrix to the same size as the threshold matrix. The result is divided by the corresponding standard deviation. To standardize the factor loadings, they are pre-multiplied by the inverse of the standard deviations.

```

colOnes      <- mxMatrix( type="Unit", nrow=nThresholds, ncol=1, name="columnofOnes" )
matMeans     <- mxAlgebra( expression=expMeans %*% columnofOnes, name="meansMatrix" )
matVars      <- mxAlgebra( expression=sqrt( t(diag2vec( expCovariances )) %*% columnofOnes,
                        name="variancesMatrix" )
matThres     <- mxAlgebra( expression=(expThresholds - meansMatrix) / variancesMatrix,
                        name="thresholdMatrix" )
identity     <- mxMatrix( type="Iden", nrow=nVariables, ncol=nVariables, name="Identity" )
stFacLoads   <- mxAlgebra( expression=solve(sqrt(Identity * expCovariances)) %*% facLoadings,

```

```
name="standFacLoadings" )
```

3.10 Growth Mixture Modeling, Matrix Specification

This example will demonstrate how to specify a growth mixture model using matrix specification. Unlike other examples, this application will not be demonstrated with covariance data, as this model can only be fit to raw data. The script for this example can be found in the following file:

```
** http://openmx.psyc.virginia.edu/svn/trunk/demo/GrowthMixtureModel\_MatrixRaw.R
```

A parallel example using path specification can be found here:

```
** http://openmx.psyc.virginia.edu/svn/trunk/demo/GrowthMixtureModel\_PathRaw.R
```

The latent growth curve used in this example is the same one fit in the latent growth curve example. Path and matrix versions of that example for raw data can be found here:

```
** http://openmx.psyc.virginia.edu/svn/trunk/demo/LatentGrowthCurveModel\_PathRaw.R
```

```
** http://openmx.psyc.virginia.edu/svn/trunk/demo/LatentGrowthCurveModel\_MatrixRaw.R
```

3.10.1 Mixture Modeling

Mixture modeling is an approach where data are assumed to be governed by some type of mixture distribution. This includes a large class of models, including many varieties of mixture modeling, latent class analysis and related models with binary or categorical latent variables. This example will demonstrate a growth mixture model, where change over time is modeled with a linear growth curve and the distribution of latent intercepts and slopes is governed by a mixture of two distributions. The model can thus be described as a combination of two growth curves, weighted by a class proportion variable, as shown below.

$$x_{ij} = p_1(Intercept_{i1} + \lambda_1 Slope_{i1} + \epsilon) + p_2(Intercept_{i2} + \lambda_2 Slope_{i2} + \epsilon)$$

To scale the class proportion variable as a probability, it must be scaled such that it is strictly positive and the set of all class probabilities sum to a value of one.

$$\sum_{i=1}^k p_i = 1$$

Data

The data for this example can be found in the data object `myGrowthMixtureData`. These data contain five time ordered variables named `x1` through `x5`, just like the growth curve demo mentioned previously. It is important to note that raw data is required for mixture modeling, as moment matrices do not contain all of the information required to estimate the model.

```
data(myGrowthMixtureData)
names(myGrowthMixtureData)
```

Model Specification

Specifying a mixture model can be categorized into two general phases. The first phase of model specification pertains to creating the models for each class. The second phase specifies the way those classes are mixed. In OpenMx, this is

done using a model tree. Each class is created as a separate `MxModel` object, and those class-specific models are all placed into a larger or parent model. The parent model contains the class proportion parameter(s) and the data.

Creating the class-specific models is done the same way as every other model. We'll begin by specifying the model for the first class using RAM matrices. The code below specifies a five-occasion linear growth curve, virtually identical to the one in the linear growth curve example referenced above. The only changes made to this model are the names of the free parameters; the means, variances and covariance of the intercept and slope terms are now followed by the number 1 to distinguish them from free parameters in the other class. Note that the `vector` argument in `mxFitFunctionML` has been set to "TRUE", which will be discussed in more detail shortly.

```
matrA      <- mxMatrix( type="Full", nrow=7, ncol=7,
                        free=F, values=rbind(cbind(matrix(0,5,5),
                                                    matrix(c(rep(1,5),0:4),5,2)),matrix(0,2,7)),
                        byrow=TRUE, name="A" )
labelsS    <- matrix(NA,5,5); diag(labelsS) <- "residual"
matrS      <- mxMatrix( type="Symm", nrow=7, ncol=7,
                        free=rbind(cbind(matrix(as.logical(diag(5)),5,5),
                                                    matrix(F,5,2)),cbind(matrix(F,2,5),matrix(T,2,2))),
                        values=rbind(cbind(matrix(diag(5)),5,5),
                                      matrix(0,5,2)),cbind(matrix(0,2,5),matrix(c(1,.4,.4,1),2,2))),
                        labels=rbind(cbind(labelsS, matrix(NA,5,2)),cbind(matrix(NA,2,5),
                                      matrix(c("var1", "cov1", "cov1", "vars1"),2,2))),
                        byrow= TRUE, name="S" )
matrF      <- mxMatrix( type="Full", nrow=5, ncol=7,
                        free=F, values=cbind(diag(5),matrix(0,5,2)),
                        byrow=T, name="F" )
matrM      <- mxMatrix( type="Full", nrow=1, ncol=7,
                        free=c(F,F,F,F,F,T,T),
                        values=c(0,0,0,0,0,0,-1),
                        labels=c(NA,NA,NA,NA,NA,"mean1","means1"), name="M" )
exp        <- mxExpectationRAM("A","S","F","M",
                               dimnames=c(names(myGrowthMixtureData),"intercept","slope"))
funML      <- mxFitFunctionML(vector=TRUE)
class1     <- mxModel("Class1", matrA, matrS, matrF, matrM, exp, funML)
```

We could create the model for our second class by copy and pasting the code above, but that can yield needlessly long scripts. We can also use the `mxModel` function to edit an existing model object, allowing us to change only the parameters that vary across classes. The `mxModel` call below begins with an existing `MxModel` object (`class1`) rather than a model name. The subsequent `mxMatrix` functions replace any existing matrices that have the same name. As we did not give the model a name at the beginning of the `mxModel` function, we must use the `name` argument to identify this model by name.

```
matrS2     <- mxMatrix( type="Symm", nrow=7, ncol=7,
                        free=rbind(cbind(matrix(as.logical(diag(5)),5,5),
                                                    matrix(F,5,2)),cbind(matrix(F,2,5),matrix(T,2,2))),
                        values=rbind(cbind(matrix(diag(5)),5,5),
                                      matrix(0,5,2)),cbind(matrix(0,2,5),matrix(c(1,.5,.5,1),2,2))),
                        labels=rbind(cbind(labelsS, matrix(NA,5,2)),cbind(matrix(NA,2,5),
                                      matrix(c("vari2", "cov2", "cov2", "vars2"),2,2))),
                        byrow= TRUE, name="S2" )
matrM2     <- mxMatrix( type="Full", nrow=1, ncol=7,
                        free=c(F,F,F,F,F,T,T),
                        values=c(0,0,0,0,0,5,1),
                        labels=c(NA,NA,NA,NA,NA,"mean2","means2"), name="M2" )
exp        <- mxExpectationRAM("A","S2","F","M2",
                               dimnames=c(names(myGrowthMixtureData),"intercept","slope"))
class2     <- mxModel( class1, name="Class2", matrS2, matrM2, exp )
```

The `vector=TRUE` argument in the above code merits further discussion. The fit function for each of the class-

specific models must return the likelihoods for each individual rather than the default log likelihood for the entire sample. OpenMx fit functions that handle raw data have the option to return a vector of likelihoods for each row rather than a single likelihood value for the dataset. This option can be accessed either as an argument in a function like `mxFitFunctionML`, as was done above, or with the syntax below.

```
class1@fitfunction@vector <- TRUE
class2@fitfunction@vector <- TRUE
```

While the class-specific models can be specified using either path or matrix specification, the class proportion parameters must be specified using a matrix, though it can be specified a number of different ways. The challenge of specifying class probabilities lies in their inherent constraint: class probabilities must be non-negative and sum to unity. The code below demonstrates one method of specifying class proportion parameters and rescaling them as probabilities.

This method for specifying class probabilities consists of two parts. In the first part, the matrix in the object `classP` contains two elements representing the class proportions for each class. One class is designated as a reference class by fixing their proportion at a value of one (class 2 below). All other classes are assigned free parameters in this matrix, and should be interpreted as proportion of sample in that class per person in the reference class. These parameters should have a lower bound at or near zero. Specifying class proportions rather than class probabilities avoids the degrees of freedom issue inherent to class probability parameters by only estimating $k-1$ parameters for k classes.

```
classP      <- mxMatrix( type="Full", nrow=2, ncol=1,
                        free=c(TRUE, FALSE), values=1, lbound=0.001,
                        labels = c("p1", "p2"), name="Props" )
```

We still need probabilities, which require the second step shown below. Dividing the class proportion matrix above by its sum will rescale the proportions into probabilities. This is slightly more difficult than it appears at first, as the $k \times 1$ matrix of class proportions and the scalar sum of that matrix aren't conformable to either matrix or element-wise operations. Instead, we can use a Kronecker product of the class proportion matrix and the inverse of the sum of that matrix. This operation is carried out by the `mxAlgebra` function placed in the object `classS` below.

```
classS      <- mxAlgebra( Props%x%(1/sum(Props)), name="classProbs" )
```

There are several alternatives to the two functions above that merit discussion. While the “`mxConstraint`” function would appear at first to be a simpler way to specify the class probabilities, but using the `mxConstraint` function complicates this type of model estimation. When all k class probabilities are freely estimated then constrained, then the class probability parameters are collinear, creating a parameter covariance matrix that is not of full rank. This prevents OpenMx from calculating standard errors for any model parameters. Additionally, there are multiple ways to use algebras different than the one above to specify the class proportion and/or class probability parameters, each varying in complexity and utility. While specifying models with two classes can be done slightly more simply than presented here, the above method is equally appropriate for all numbers of classes.

Finally, we can specify the mixture model. We must first specify the model's -2 log likelihood function defined as:

$$-2LL = -2 * \sum_{i=1}^n \sum_{k=1}^m \log(p_k l_{ki})$$

This is specified using an `mxAlgebra` function, and used as the argument to the `mxFitFunctionAlgebra` function. Then the fit function, matrices and algebras used to define the mixture distribution, the models for the respective classes and the data are all placed in one final `mxModel` object, shown below.

```
algFit      <- mxAlgebra( -2*sum(log(classProbs[1,1]%x%Class1.fitfunction
                                + classProbs[2,1]%x%Class2.fitfunction)),
                        name="mixtureObj")
fit         <- mxFitFunctionAlgebra("mixtureObj")
dataRaw    <- mxData( observed=myGrowthMixtureData, type="raw" )

gmm        <- mxModel("Growth Mixture Model",
```

```

                                dataRaw, class1, class2, classP, classS, algFit, fit )
gmmFit <- mxRun(gmm)

summary(gmmFit)

```

Multiple Runs: Serial Method

The results of a mixture model can sometimes depend on starting values. It is a good idea to run a mixture model with a variety of starting values to make sure results you find are not the result of a local minimum in the likelihood space. This section will describe a serial (i.e., running one model at a time) method for randomly generating starting values and re-running a model, which is appropriate for a wide range of methods. The next section will cover parallel (multiple models simultaneously) estimation procedures. Both of these examples are available in the `GrowthMixtureModelRandomStarts` demo.

** <http://openmx.psyc.virginia.edu/svn/trunk/demo/GrowthMixtureModelRandomStarts.R>

One way to access the starting values in a model is by using the `omxGetParameters` function. This function takes an existing model as an argument and returns the names and values of all free parameters. Using this function on our growth mixture model, which is stored in an object called `gmm`, gives us back the starting values we specified above.

```

omxGetParameters(gmm)
#      pclass1 residual      vari1      cov1      vars1      meani1      means1
#      0.2      1.0      1.0      0.4      1.0      0.0      -1.0
#      vari2      cov2      vars2      meani2      means2
#      1.0      1.0      0.5      1.0      5.0

```

A companion function to `omxGetParameters` is `omxSetParameters`, which can be used to alter one or more named parameters in a model. This function can be used to change the values, freedom and labels of any parameters in a model, returning an `MxModel` object with the specified changes. The code below shows how to change the residual variance starting value from 1.0 to 0.5. Note that the output of the `omxSetParameters` function is placed back into the object `gmm`.

```
gmm <- omxSetParameters(gmm, labels="residual", values=0.5)
```

The `MxModel` in the object `gmm` can now be run and the results compared with other sets of starting values. Starting values can also be sampled from distributions, allowing users to automate starting value generation, which is demonstrated below. The `omxGetParameters` function is used to find the names of the free parameters and define three matrices: a matrix `input` that holds the starting values for any run; a matrix `output` that holds the converged values of each parameter; and a matrix `fit` that contains the -2 log likelihoods and other relevant model fit statistics. Each of these matrices contains one row for every set of starting values. Starting values are randomly generated from a set of uniform distributions using the `runif` function, allowing the ranges inherent to each parameter to be enforced (i.e., variances are positive, etc). A `for` loop repeatedly runs the model with starting values from the `input` matrix and places the final estimates and fit statistics in the `output` and `fit` matrices, respectively.

```

# how many trials?
trials      <- 20

# place all of the parameter names in a vector
parNames    <- names(omxGetParameters(gmm))

# make a matrix to hold all of the
input       <- matrix(NA, trials, length(parNames))
dimnames(input) <- list(c(1: trials), c(parNames))

output      <- matrix(NA, trials, length(parNames))
dimnames(output) <- list(c(1: trials), c(parNames))

```

```
fit          <- matrix(NA, trials, 5)
dimnames(fit) <- list(c(1: trials), c("Minus2LL", "Status", "Iterations", "pclass1", "time"))

# populate the class probabilities
input[,"p1"] <- runif(trials, 0.1, 0.9)
input[,"p1"] <- input[,"p1"]/(1-input[,"p1"])

# populate the variances
v          <- c("vari1", "vars1", "vari2", "vars2", "residual")
input[,v]  <- runif(trials*5, 0, 10)

# populate the means
m          <- c("mean1", "means1", "mean2", "means2")
input[,m]  <- runif(trials*4, -5, 5)

# populate the covariances
r          <- runif(trials*2, -0.9, 0.9)
scale      <- c( sqrt(input[,"vari1"]*input[,"vars1"]), sqrt(input[,"vari2"]*input[,"vars2"]))
input[,c("cov1", "cov2")] <- r * scale

for (i in 1: trials){
  temp1    <- omxSetParameters(gmm, labels=parNames, values=input[i,] )
  temp1$name <- paste("Starting Values Set", i)

  temp2    <- mxRun(temp1, unsafe=TRUE, suppressWarnings=TRUE, checkpoint=TRUE)

  output[i,] <- omxGetParameters(temp2)
  fit[i,] <- c(
    temp2@output$Minus2LogLikelihood,
    temp2@output$status[[1]],
    temp2@output$iterations,
    round(temp2$classProbs@result[1,1], 4),
    temp2@output$wallTime
  )
}
```

Viewing the contents of the fit matrix shows the -2 log likelihoods for each of the runs, as well as the convergence status, number of iterations and class probabilities, shown below.

```
fit[,1:4]
#      Minus2LL Status Iterations  pclass1
#  1  8739.050    0      41 0.3991078
#  2  8739.050    0      40 0.6008913
#  3  8739.050    0      44 0.3991078
#  4  8739.050    1      31 0.3991079
#  5  8739.050    0      32 0.3991082
#  6  8739.050    1      34 0.3991089
#  7  8966.628    0      22 0.9990000
#  8  8966.628    0      24 0.9990000
#  9  8966.628    0      23 0.0010000
# 10  8966.628    1      36 0.0010000
# 11  8963.437    6      25 0.9990000
# 12  8966.628    0      28 0.9990000
# 13  8739.050    1      47 0.6008916
# 14  8739.050    1      36 0.3991082
# 15  8739.050    0      43 0.3991076
# 16  8739.050    0      46 0.6008948
# 17  8739.050    1      50 0.3991092
```



```
# 18 8945.756      6      50 0.9902127
# 19 8739.050      0      53 0.3991085
# 20 8966.628      0      23 0.9990000
```

There are several things to note about the above results. First, the minimum -2 log likelihood was reached in 12 of 20 sets of starting values, all with NPSOL statuses of either zero (seven times) or one (five times). Additionally, the class probabilities are equivalent within five digits of precision, keeping in mind that no the model as specified contains no restriction as to which class is labeled “class 1” (probability equals .3991) and “class 2” (probability equals .6009). The other eight sets of starting values showed higher -2 log likelihood values and class probabilities at the set upper or lower bounds, indicating a local minimum. We can also view this information using R’s `table` function.

```
table(round(fit[,1], 3), fit[,2])
```

```
#           0 1 6
# 8739.05  7 5 0
# 8945.756 0 0 1
# 8963.437 0 0 1
# 8966.628 5 1 0
```

We should have a great deal of confidence that the solution with class probabilities of .399 and .601 is the correct one.

Multiple Runs: Parallel Method

OpenMx supports multicore processing through the `snowfall` library, which is described in the “Multicore Execution” section of the documentation and in the following demo:

```
** http://openmx.psyc.virginia.edu/svn/trunk/demo/BootstrapParallel.R
```

Using multiple processors can greatly improve processing time for model estimation when a model contains independent submodels. While the growth mixture model in this example does contain submodels (i.e., the class specific models), they are not independent, as they both depend on a set of shared parameters (“residual”, “pclass1”).

However, multicore estimation can be used instead of the `for` loop in the above section for testing alternative sets of starting values. Instead of changing the starting values in the `gmm` object repeatedly, multiple copies of the model contained in `gmm` must be placed into parent or container model. Either the above `for` loop or a set of “apply” statements can be used to generate the model.

The example below first initializes the `snowfall` library, which also loads the `snow` library. The `sfInit` function initializes parallel; you must supply the number of processors on your computer or grid for the analysis, then reload OpenMx as a `snowfall` library.

```
require(snowfall)
sfInit(parallel=TRUE, cpus=4)
sfLibrary(OpenMx)
```

From there, parallel optimization requires that a holder or top model (named “Top” in the object `topModel` below) contain a set of independent submodels. In our example, each independent submodel will consist of a copy of the above `gmm` model with a different set of starting values. Using the matrix of starting values from the serial example above (`input`), we can create a function called `makeModel` that can be used to create these submodels. While this function is entirely optional, it allows us to use the `lapply` function to create a list of submodels for optimization. Once those submodels are placed in the `submodels` slot of the object `topModel`, we can run this model just like any other. A second function, `fitStats`, can then be used to get the results from each submodel.

```
topModel <- mxModel("Top")

makeModel <- function(modelNumber) {
  temp <- mxModel(gmm, independent=TRUE, name=paste("Iteration", modelNumber, sep=""))
  temp <- omxSetParameters(temp, labels=parNames, values=input[modelNumber,])
}
```

```
    return(temp)
  }

mySubs      <- lapply(1:20, makeModel)
topModel$submodels <- mySubs

results <- mxRun(topModel)

fitStats <- function(model){
  retval <- c(
    model@output$Minus2LogLikelihood,
    model@output$status[[1]],
    model@output$iterations,
    round(model$classProbs@result[1,1], 4)
  )
  return(retval)
}

resultsFit <- t(omxSapply(results@submodels, fitStats))
sfStop()
```

This parallel method saves computational time, but requires additional coding. For models as small as the one in this example (total processing time of approximately 2 seconds), the speed-up from using the parallel version is marginal (approximately 35-50 seconds for the serial method against 20-30 seconds for the parallel version). However, as models get more complex or require a greater number of random starts, the parallel method can provide substantial time savings. Regardless of method, re-running models with varying starting values is an essential part of running multivariate models.

ADVANCED CONCEPTS

4.1 OpenMx Internal Architecture

OpenMx is a language plugin designed to perform linear algebra. OpenMx is too limited to be seen as a general purpose programming language, but it is also more expressive than a typical C library. OpenMx was developed as an R package. It borrows R's syntax parser to encode algebra expressions and the internals are rich with the R procedures needed to smoothly integrate with R. However, it is not inconceivable that OpenMx could eventually be split into a pure C backend with an R or Python or Julia front end.

The fundamental data structure in OpenMx is the 2 dimensional matrix of double precision real numbers. This is inflexible. Data of dimensionality greater than 2 is cumbersome to model. However, the benefit of this inflexibility is speed. Internal operators can make assumptions and go faster because matrices all have the same structure.

Algebras are reified functions of matrices. Information flows through algebras, in one direction, during model fitting. Algebras are not compiled to assembly. Algebra use a simple byte code language to represent algebraic operators. Dependencies between algebras are recorded such that recalculation is kept to a minimum. What transformations cannot easily be expressed in algebras can be put into algebra-like objects such as MxExpectation or MxFitFunction.

4.1.1 MxModel Lifecycle

MxEval will evaluate some piece of a model, however, the real action happens in MxRun. MxModels are created in R, consisting of R data structures. MxRun translates all the information contained in an R MxModel into corresponding C data structures. At this stage, as much as possible is checked to make sure that the model is correctly specified to avoid errors during optimization. For MxExpectation and MxFitFunction, the `initFun` is called. Algebras have a chance to check conformability. A list of free variables is created recording locations where they are stored in which matrices. The optimizer is invoked. Free variables are moved around, `repopulateFun` is invoked, and everything is recomputed according to free variable dependencies. `MxFitFunction.gradient` can speed this up. Eventually, the optimizer will become satisfied (or give up). Thereafter, the free variables will be further probed to compute the Hessian, confidence intervals, and standard errors (also see `getStandardErrorFun`). `populateAttrFun` and `setFinalReturns` will see to it that all the freshly baked numbers are copied back into R data structures. All C-side memory is freed.

4.1.2 Parallelization Facilities

There 2 facilities for OpenMx to take advantage of parallelism. The first facility is OpenMP. At the time of writing, only the FitFunctions `FIMLFitFunction` and `RowFitFunction` use OpenMP. To allow threads to work without interfering with each other, both of these MxFitFunctions request that the complete model (C data structures) be copied such that each thread has its own copy. This model copying is optional. With adequate care, it is also possible to write OpenMP optimizations without the added complexity of duplicating the model (see `sadmvn.f`). The second facility is Snowfall. Snowfall works at the granularity of machines or processes with a machine while OpenMP is only concerned with exploiting all the CPU within a single machine.

4.1.3 Questions

What is the flat model?

How do submodels work?

4.2 File Checkpointing

This section will cover how to periodically save the state of the optimizer to a file on disk. In the event of a system crash, the checkpoint file can be loaded back into the model when the system has been restored. The checkpoint file can also be used as a log to trace the state of the free parameters as they change during optimization. The simplest form of file checkpointing is to use the argument `checkpoint = TRUE` in the call to the `mxRun()` function.

```
require(OpenMx)

data(demoOneFactor)
manifestVars <- names(demoOneFactor)

factorModel <- mxModel("One Factor",
  mxMatrix(type="Full", nrow=5, ncol=1, values=0.2, free=TRUE, name="A",
    labels=letters[1:5]),
  mxMatrix(type="Symm", nrow=1, ncol=1, values=1, free=FALSE, name="L"),
  mxMatrix(type="Diag", nrow=5, ncol=5, values=1, free=TRUE, name="U"),
  mxAlgebra(expression=A %*% L %*% t(A) + U, name="R"),
  mxExpectationNormal(covariance="R", dimnames=manifestVars),
  mxFitFunctionML(),
  mxData(observed=cov(demoOneFactor), type="cov", numObs=500)
)

factorFit <- mxRun(factorModel, checkpoint = TRUE)
```

With no extra options, a checkpoint file will be created in the current working directory with the filename: “<modelname>.omx”. The checkpoint file is a data.frame object such that each row contains all the values of the free parameters at a particular instance in time. By default, a row is added to the file every 10 minutes. The `mxOption()` function can be used to set the directory of the checkpoint file, to specify an optional prefix to the checkpoint filename, to select whether to save based on minutes or number of optimizer iterations, and to specify the checkpoint interval in units of minutes or optimizer iterations. Below is an example that modifies some of the checkpoint options:

```
directory <- tempdir()

factorModel <- mxOption(factorModel, "Checkpoint Directory", directory)
factorModel <- mxOption(factorModel, "Checkpoint Units", "iterations")
factorModel <- mxOption(factorModel, "Checkpoint Count", 10)
```

After a checkpoint file has been created, it can be loaded into a `MxModel` object using the `mxRestore()` function. It is necessary to specify the checkpoint directory and checkpoint filename prefix if they were declared using `mxOption()` when the checkpoint file was created:

```
factorFit <- mxRun(factorModel, checkpoint = TRUE)
factorRestore <- mxRestore(factorModel, chkpt.directory = directory)
```

The checkpoints will extend to independent submodels in a collection of models. Each independent submodel will be saved in a separate file. See `?mxOption` or `getOption('mxOptions')` for a list of options that modify the behavior of file checkpointing. See `?mxRestore` for more information on restoring a checkpoint file.

4.3 Multicore Execution

This section will cover how take advantage of multiple cores on your machine. To use the multicore mode in OpenMx, you must declare independent submodels. A model is declared independent by using the argument ‘independent=TRUE’ in the `mxModel()` function. An independent model and all of its dependent children are executed in a separate optimization environment. An independent model shares **no** free parameters with either its sibling models or its parent model. An independent model may **not** refer to matrices or algebras in either its sibling models or its parent model. A parent model may access the final results of optimization from an independent child model.

To use the snowfall library, you must start your R environment with the following commands:

```
library(OpenMx)
library(snowfall)
sfInit(parallel = TRUE, cpus = 8)
sfLibrary(OpenMx)
```

`sfInit` will initialize the snowfall cluster. You must specify either the number of CPUs on your machine or the cluster environment (see snowfall package documentation). `sfLibrary` exports the OpenMx library to the client nodes in the cluster. At the end of your script, use the command:

```
sfStop()
```

4.3.1 To Improve Performance

Any sequential portions of your script will quickly become the performance bottleneck (Amdahl’s Law). Avoid iteration over large data structures. Use the functions `omxLapply()` and `omxSapply()` instead of iteration. These two functions invoke the snowfall `sfLapply()` and `sfSapply()` functions if the snowfall library has been loaded. Otherwise they invoke the sequential functions `lapply()` and `sapply()`. To hunt for bottlenecks in your script, run your script with multicore settings enabled and use Rprof to profile a reasonable size test case. Ignore the calls to `sfLapply()` and `sfSapply()` in the results of profiling. Any other time-consuming calls represent potential sequential bottlenecks.

Some of the functions provided by the OpenMx library can be bottlenecks. Iterative use of the `mxModel()` function in order to add submodels can be time consuming. Use the following unsafe idiom to improve performance:

```
topModel <- mxModel('container')
# generate a list of independent submodels
submodels <- omxLapply(1:100, generateNewSubmodels)
names(submodels) <- imxExtractNames(submodels)
topModel@submodels <- submodels
```

4.3.2 An Example

The following script can be found with `demo(BootstrapParallel)`

```
# parameters for the simulation: lambda = factor loadings,
# specifics = specific variances
lambda <- matrix(c(.8, .5, .7, 0), 4, 1)
nObs <- 500
nReps <- 10
nVar <- nrow(lambda)
specifics <- diag(nVar)
chl <- chol(lambda %*% t(lambda) + specifics)

# indices for parameters and hessian estimate in results
```

```
pStrt <- 3
pEnd <- pStrt + 2*nVar - 1
hStrt <- pEnd + 1
hEnd <- hStrt + 2*nVar - 1

# dimension names for OpenMx
dn <- list()
dn[[1]] <- paste("Var", 1:4, sep="")
dn[[2]] <- dn[[1]]

# function to get a covariance matrix
randomCov <- function(nObs, nVar, chl, dn) {
  x <- matrix(rnorm(nObs*nVar), nObs, nVar)
  x <- x %**% chl
  thisCov <- cov(x)
  dimnames(thisCov) <- dn
  return(thisCov)
}

createNewModel <- function(index, prefix, model) {
  modelname <- paste(prefix, index, sep='')
  data <- mxData(randomCov(nObs, nVar, chl, dn), type="cov", numObs=nObs)
  model <- mxModel(model, data)
  model <- mxRename(model, modelname)
  return(model)
}

getStats <- function(model) {
  retval <- c(model@output$status[[1]],
             max(abs(model@output$gradient)),
             model@output$estimate,
             sqrt(diag(solve(model@output$hessian))))
  return(retval)
}

# initialize obsCov for MxModel
obsCov <- randomCov(nObs, nVar, chl, dn)

# results matrix: get results for each simulation
results <- matrix(0, nReps, hEnd)
dnr <- c("inform", "maxAbsG", paste("lambda", 1:nVar, sep=""),
        paste("specifics", 1:nVar, sep=""),
        paste("hessLambda", 1:nVar, sep=""),
        paste("hessSpecifics", 1:nVar, sep=""))
dimnames(results)[[2]] <- dnr

# instantiate MxModel
template <- mxModel("stErrSim",
  mxMatrix(name="lambda", type="Full", nrow=4, ncol=1,
           free=TRUE, values=c(.8, .5, .7, 0)),
  mxMatrix(name="specifics", type="Diag", nrow=4,
           free=TRUE, values=rep(1, 4)),
  mxAlgebra(lambda %**% t(lambda) + specifics,
            name="preCov", dimnames=dn),
  mxData(observed=obsCov, type="cov", numObs=nObs),
  mxExpectationNormal(covariance='preCov'),
  mxFitFunctionML(),
  independent = TRUE)
```

```

topModel <- mxModel("container")

submodels <- lapply(1:nReps, createNewModel, "stErrSim", template)

names(submodels) <- imxExtractNames(submodels)
topModel@submodels <- submodels

modelResults <- mxRun(topModel, silent=TRUE, suppressWarnings=TRUE)

results <- t(omxSapply(modelResults@submodels, getStats))

# get rid of bad coverage results
results2 <- data.frame(results[which(results[,1] <= 1),])

# summarize the results
means <- mean(results2)
stdevs <- sd(results2)
sumResults <- data.frame(matrix(dnr[pStrt:pEnd], 2*nVar, 1,
                               dimnames=list(NULL, "Parameter")))
sumResults$mean <- means[pStrt:pEnd]
sumResults$obsStDev <- stdevs[pStrt:pEnd]
sumResults$meanHessEst <- means[hStrt:hEnd]
sumResults$sqrt2meanHessEst <- sqrt(2) * sumResults$meanHessEst

# print results
print(sumResults)

```

4.4 Full Information Maximum Likelihood, Row Fit Specification

This example will show how full information maximum likelihood (FIML) can be implemented using a row-by-row evaluation of a likelihood function. **Note: You do not have to implement your own FIML! The method of FIML used in this example is for didactic purposes only.** If you are looking for how to get your model to use FIML, then look for any model that uses raw data. For example

- http://openmx.psyc.virginia.edu/svn/trunk/demo/OneFactorModel_PathRaw.R

This document seeks to inform users about how they can implement their own row fit functions using FIML as an example. The example is in two parts. The first part is a discussion of full information maximum likelihood. The second part is an example implementation of full information maximum likelihood in a row-wise fit function that estimates the saturated model in two variables. The second part refers to the following file:

- <http://openmx.psyc.virginia.edu/svn/trunk/demo/RowObjectiveFIMLBivariateSaturated.R>

There is an analogous version of this example that uses the standard full information maximum likelihood implementation here:

- <http://openmx.psyc.virginia.edu/svn/trunk/demo/BivariateCorrelation.R>

The goal of the current document is twofold: to increase users' understanding of full information maximum likelihood, and to assist users in implementing their own row fit functions.

4.4.1 Full Information Maximum Likelihood

Full information maximum likelihood is almost universally abbreviated FIML, and it is often pronounced like “fimmle” if “fimmle” was an English word. FIML is often the ideal tool to use when your data contains missing values because

FIML uses the raw data as input and hence can use all the available information in the data. This is opposed to other methods which use the observed covariance matrix which necessarily contains less information than the raw data. An observed covariance matrix contains less information than the raw data because one data set will always produce the same observed covariance matrix, but one covariance matrix could be generated by many different raw data sets. Mathematically, the mapping from a data set to a covariance matrix is not one-to-one (i.e. the function is non-injective), but rather many-to-one.

Although there is a loss of information between a raw data set and an observed covariance matrix, in structural equation modeling we are often only modeling the observed covariance matrix and the observed means. We want to adjust the model parameters to make the observed covariance and means matrices as close as possible to the model-implied covariance and means matrices. Therefore, we are usually not concerned with the loss of information from raw data to observed covariance matrix. However, when some raw data is missing, the standard maximum likelihood method for determining how close the observed covariance and means matrices are to the model-expected covariance and means matrices fails to use all of the information available in the raw data. This failure of maximum likelihood (ML) estimation, as opposed to FIML, is due to ML exploiting for the sake of computational efficiency some mathematical properties of matrices that do not hold true in the presence of missing data. The ML estimates are not wrong per se and will converge to the FIML estimates, rather the ML estimates do not use all the information available in the raw data to fit the model.

The intelligent handling of missing data is a primary reason to use FIML over other estimation techniques. The method by which FIML handles missing data involves filtering out missing values when they are present, and using only the data that are not missing in a given row.

Likelihood of a Row of Data

If X is the entire data set then the minus two log likelihood of row i of the data is

$$\mathcal{L}_i = k_i \ln(2\pi) + \ln(|\Sigma_i|) + (X_i - M_i)\Sigma_i^{-1}(X_i - M_i)^T \quad (4.1)$$

where

- k_i is the number of non-missing observed variables in row i of the data set
- $\ln()$ is the natural logarithm function (i.e. logarithm base $e = 2.718\dots$)
- $\pi = 3.14159\dots$
- $|*|$ is the determinant of $*$
- Σ_i is the *filtered* model-implied manifest covariance matrix ($k_i \times k_i$ matrix)
- X_i is the *filtered* row i of the data set ($1 \times k_i$ matrix)
- M_i is the *filtered* model-implied manifest means row vector ($1 \times k_i$ matrix)
- Σ_i^{-1} is the inverse of Σ_i
- $(*)^T$ is the transpose of $*$

Equation (4.1) is identically equal to -2 times the logarithm of the probability density function of the multivariate normal distribution. The minus two log likelihood is quite literally minus two times the log of the probability of the data given the model.

There are several important things to note about Equation (4.1).

First, the model-implied means vector and the model-implied covariance matrix are for the the manifest variables only. Although your structural equation model may involve both latent and manifest variables, the latent variables are only present to explain the means and covariances of the observed variables in a meaningful and parsimonious way. The free parameters of your model are adjusted to make the model-implied means vector and the model-implied covariance matrix as close as possible to the observed means vector and the observed covariance matrix.

Filtering

Second, there are several references to filtered vectors and matrices. Filtering is how FIML handles missing data. All filtering is performed based on the pattern of missingness observed in a given row of data. If the observed values of a given row, i , of data are $x_i = (1, 14, NA, 2, NA, NA)$ where NA denotes a missing value, then the filtered data row is $X_i = (1, 14, 2)$. The filtered data row is merely the original data row with the missing entries removed. For this row, entries 3, 5, and 6 are removed. Alternatively, entries 1, 2, and 4 are kept.

The filtered, model-implied means row vector is similar. If the original model-implied means row vector is $M = (2, 15, 0, 3, 1, 2)$, then the filtered model-implied means row vector for row i is $M_i = (2, 15, 3)$, keeping only entries 1, 2, and 4.

The filtered, model-implied covariance matrix is marginally more complicated. It must be selected on both rows

and columns. If Σ is the model-implied covariance matrix and Σ is given by $\Sigma = \begin{pmatrix} 1 & 3 & 1 & 2 & 1 & 2 \\ 3 & 13 & 3 & 6 & 3 & 6 \\ 1 & 3 & 2 & 2 & 3 & 2 \\ 2 & 6 & 2 & 8 & 2 & 4 \\ 1 & 3 & 3 & 2 & 14 & 2 \\ 2 & 6 & 2 & 4 & 2 & 5 \end{pmatrix}$

then the filtered covariance matrix selects rows 1, 2, and 4 $\Sigma = \begin{pmatrix} 1 & 3 & 1 & 2 & 1 & 2 \\ 3 & 13 & 3 & 6 & 3 & 6 \\ 1 & 3 & 2 & 2 & 3 & 2 \\ 2 & 6 & 2 & 8 & 2 & 4 \\ 1 & 3 & 3 & 2 & 14 & 2 \\ 2 & 6 & 2 & 4 & 2 & 5 \end{pmatrix}$ and columns

1, 2, and 4. $\Sigma = \begin{pmatrix} 1 & 3 & 1 & 2 & 1 & 2 \\ 3 & 13 & 3 & 6 & 3 & 6 \\ 1 & 3 & 2 & 2 & 3 & 2 \\ 2 & 6 & 2 & 8 & 2 & 4 \\ 1 & 3 & 3 & 2 & 14 & 2 \\ 2 & 6 & 2 & 4 & 2 & 5 \end{pmatrix}$ The selection on both rows and columns yields the follow-

ing filtered expected covariance matrix. $\Sigma_i = \begin{pmatrix} 1 & 3 & 2 \\ 3 & 13 & 6 \\ 2 & 6 & 8 \end{pmatrix}$ In practical implementations of FIML, the

data are first sorted based on their pattern of missingness, so that all the rows missing on variables 3, 5, and 6 are computed together followed by all the rows with a different missingness pattern. This sorting allows fewer filterings to be performed and often accelerates the likelihood computation. In the row fit implementation shown below there is no data sorting because it is for demonstration purposes only. The implementation of FIML in the backend of OpenMx uses this data sorting and other techniques to provide speed ups. The details are in the source code at <http://openmx.psyc.virginia.edu/svn/trunk/R/MxFIMLObjective.R> and <http://openmx.psyc.virginia.edu/svn/trunk/src/omxFIMLObjective.c>.

Quadratic Products

There is one final note to discuss about Equation (4.1). A very important component to Equation (4.1) is $(X_i - M_i)\Sigma_i^{-1}(X_i - M_i)^T$. It is a quadratic form. Any expression of the form xAx^T where x is a row-vector and A is a matrix is called a *quadratic form*. Equivalently, a quadratic form can be stated as $x^T Ax$ where x is a column-vector. In mathematical circles it is typical to express quadratic forms in terms of columns vectors as $x^T Ax$, whereas in statistical circles it is common to express quadratic forms in terms of row vectors as xAx^T . The difference is completely arbitrary and due to tradition and convenience. Quadratic forms arise in many disciplines: in engineering as linear quadratic regulators, in physics as potential and kinetic energy, and in economics as utility functions. Quadratic form appear in many optimization problems, so it is no surprise that they appear in the FIML equation.

A quadratic form xAx^T can also be thought of as a quadratic product of x and A , so that $x \otimes A = xAx^T$.

The particular quadratic form in Equation (4.1) has a special meaning and interpretation. It is the squared Mahalanobis distance from the data row X_i to the mean vector M_i in the multivariate space defined by the covariance matrix Σ_i . Intuitively, the Mahalanobis distance from the mean vector tells you how far an observation is from the center of the distribution, taking into account the spread of the distribution in all directions.

For well-behaved covariance matrices, the value of the quadratic form in equation (4.1) (i.e. the squared Mahalanobis distance) is always greater than or equal to zero, and equal to zero only when the observation row vector is exactly equal to the mean vector. The likelihood functions in maximum likelihood (ML) and in FIML are not defined when this is not the case. In general for any row-vector x and square, symmetric matrix A , if $xAx^T > 0$ for any $x \neq 0$, then the quadratic form xAx^T and the matrix A are called *positive definite*.

Because ML and FIML are not defined when the model-implied covariance matrix is not positive definite, frequent and often cryptic error message that users of any structural equation modeling program receive is something like ERROR: EXPECTED COVARIANCE MATRIX IS NOT POSITIVE DEFINITE. A number of different problems could induce this error. The model may be unidentified; a variable may have zero variance, i.e. be a constant; one variable might be a linear combination of another variable or equal to another variable; the starting values might imply an impossible covariance matrix; a variable may have zero or negative error (i.e. residual) variance. In any case, it is a good idea to check your model specification for theoretical and typographical errors, and if you are expecting a parameter like an error variance to be greater than zero then set zero as that parameter's lower bound.

Now that the FIML equation for a single row of data has been discussed, it is relevant to see how the full information maximum likelihood of the entire data set is computed.

Likelihood of the Entire Data

The minus two log likelihood of the entire data set is the sum of the minus two log likelihoods of the rows.

$$\mathcal{L} = \sum_{i=1}^N \mathcal{L}_i$$

where there are N rows in the data.

4.4.2 Row Fit Example

We will now implement FIML using a row-wise fit function. The `mxFitFunctionRow()` function evaluates an `mxAlgebra` for each row of a data set. It then stores the results of this row-wise evaluation in an `mxAlgebra` which is by default called "rowResults". Finally, the row results must be collapsed into a single number. Another `mxAlgebra` called the "reduceAlgebra" takes the row results and reduces them to a single number which is then minimized.

Data

For this example we will simulate our own data. We will use the `mvrnorm()` function which lives in the MASS package. The `mvrnorm()` function generates a multivariate random normal sample with a given vector of means and a given covariance matrix. The following code generates the data.

```
require(MASS)
set.seed(200)
rs <- .5
xy <- mvrnorm(1000, c(0,0), matrix(c(1, rs, rs, 1), nrow=2, ncol=2))
```

The data have 2 variables with 1000 rows. The true means are 0. Each variable has a true variance of 1.0, and a covariance of 0.5.

Some further data processing will prove helpful. First, we recast the generated data as a `data.frame` object in R. Second, we tell R that what we want the variables names to be. Finally, we look at a summary of the data set and the observed covariance matrix which differs slightly from the covariance matrix used to generate the data.

```
testData <- as.data.frame(xy)
testVars <- c('X', 'Y')
names(testData) <- testVars
summary(testData)
cov(testData)
```

Now the data has been generated and we can specify the saturated model.

Model Specification

We generate an `mxModel`, give it data, and two `mxMatrix` objects. The first `mxMatrix` is a row-vector or completely free parameters and is the model-implied means vector. Because we are specifying the saturated model, the means are freely estimated. The second `mxMatrix` gives the model-implied covariance matrix. Because we are specifying the saturated model, the covariance matrix is freely estimated, however it is still constrained to be symmetric and the starting values are picked so that the variances on the diagonal are in general larger than the covariances.

```
dataRaw <- mxData( observed=testData, type="raw")
expMean <- mxMatrix( type="Full", nrow=1, ncol=2,
                    free=TRUE, values=c(0,0), name="expMean" )
expCov <- mxMatrix( type="Symm", nrow=2, ncol=2,
                    free=TRUE, values=c(.21, .2, .2, .21), name='expCov' )

bivCorModelSpec <- mxModel( name="FIML Saturated Bivariate",
                           dataRaw, expMean, expCov)
```

Filtering

We create a new `mxModel` that has everything from the previous model. We then create `mxAlgebra` objects that filter the expected means vector and the expected covariance matrix. We also create an `mxAlgebra` that keeps track of the number of variables that are not missing in a given row.

```
filterExpCov <- mxAlgebra( expression=omxSelectRowsAndCols(expCov, existenceVector),
                          name="filteredExpCov" )
filterExpMean <- mxAlgebra( expression=omxSelectCols(expMean, existenceVector),
                           name="filteredExpMean" )
numVar <- mxAlgebra( expression=sum(existenceVector), name="numVar_i")
bivCorFiltering <- mxModel(model=bivCorModelSpec,
                          filteredExpCov, filteredExpMean, numVar_i)
```

Calculations

We create a new `mxModel` that has everything from the previous models.

```
log2pi <- mxAlgebra( expression = log(2*pi), name="log2pi" )
HalfCalc1 <- mxAlgebra( expression=log2pi %**% numVar_i + log(det(filteredExpCov)),
                      name="firstHalfCalc" )
HalfCalc2 <- mxAlgebra( expression=(filteredDataRow - filteredExpMean) %**% solve(filteredExpCov),
                      name="secondHalfCalc" )
bivCorCalc <- mxModel( model=bivCorFiltering, log2pi, HalfCalc1, HalfCalc2)
```

Row Fit Specification

We create a new `mxModel` that has everything from the previous models.

```
rowAlgebra <- mxAlgebra( expression=(firstHalfCalc + secondHalfCalc), name="rowAlgebra" )
reduceAlgebra<- mxAlgebra( expression=sum(rowResults), name="reduceAlgebra" )
fit <- mxFitFunctionRow( rowAlgebra='rowAlgebra', reduceAlgebra='reduceAlgebra',
                        dimnames=c('X','Y') )
bivCorRowObj <- mxModel( model=bivCorCalc, rowAlgebra, reduceAlgebra, fit)

bivCorTotal <- bivCorRowObj
```

Model Fitting

```
bivCorFit <- mxRun(bivCorTotal)
```

4.5 CSOLNP Documentation

CSOLNP is the new default optimizer engine of the OpenMx package. It is a C++ translation of `solnp` function from the `Rsolnp` package, available on CRAN. The algorithm solves nonlinear programming problems in general form of:

$$\begin{aligned} & \min f(x) \\ & \text{subject to:} \\ & g(x) = 0 \\ & l_h \leq h(x) \leq u_h \\ & l_x \leq x \leq u_x \end{aligned}$$

Where:

x : Vector of decision variables ($x \in R^n$).

$f(x)$: Objective function ($f(x) : R^n \rightarrow R$).

$g(x)$: Equality constraint function ($g(x) : R^n \rightarrow R^{m_e}$).

$h(x)$: Inequality constraint function ($h(x) : R^n \rightarrow R^{m_i}$).

l_h, u_h : Lower and upper bounds for Inequality constraints.

l_x, u_x : Lower and upper bounds for decision variables.

$f(x), g(x)$ and $h(x)$ are all smooth functions.

Each major iteration of the optimization algorithm solves an augmented Lagrange multiplier method in the form of:

$$\begin{aligned} & \min f(x) - y^k g(x) + \left(\frac{\rho}{2}\right) \|g(x)\|^2 \\ & \text{subject to:} \\ & J^k(x - x^k) = -g(x^k) \\ & l_x \leq x \leq u_x \end{aligned}$$

Where ρ is the penalty parameter. $g(x)$ denotes all the constraints including equality constraints and inequality constraints, which are converted to equalities by adding slack variables. J^k is the Jacobian of first derivatives of $g(x)$, and y^k is the vector of Lagrange multipliers. The superscript k denotes the k^{th} major iteration.

Each major iteration starts with a feasibility check of the decision variables x^k , and continues by implementing a Sequential Quadratic Programming (SQP) method, which calculates the gradient and the Hessian for the augmented Lagrange multiplier method. The criteria for moving to the next major iteration is satisfied when a Quadratic Programming problem of the form:

$$\begin{aligned} \min & \left(\frac{1}{2}\right)(x - x^k)^T H(x - x^k) + g^T(x - x^k) \\ & \text{subject to:} \\ & J^k(x - x^k) = -g(x^k) \\ & l_x \leq x \leq u_x \end{aligned}$$

results in a feasible and optimal solution to the augmented Lagrange multiplier problem. If the solution is not feasible or optimal, a new QP problem is called (minor iteration) for updating the gradient and the Hessian. The stop criterion for the optimization is either when the optimal solution is found, or when the maximum number of iterations is reached.

4.5.1 Input

Before providing an explanation of each input for CSOLNP, it is necessary to look at the “Matrix” structure defined for the use of any vector or matrix needed throughout CSOLNP.

“Matrix” is a structure containing three fields being:

int rows: Number of rows of the matrix.

int cols: Number of columns of the matrix.

double *t: Pointer to an array of doubles storing the matrix elements.

The arguments are:

- solPars: A Matrix of starting values for decision variables.
- solFun: Pointer to the objective function which takes decision variable Matrix as input and returns the objective value.
- solEqB: A Matrix of equality constraints.
- solEqFun: Pointer to the equality constraint function which takes the decision variable Matrix as its argument, and returns a Matrix of evaluated constraints.
- solIneqFun: Pointer to the inequality constraint function with the Matrix of decision variables as input, and a Matrix of evaluated inequality constraints as output.
- solIneqLB: Matrix of lower bounds for inequality constraints.
- solIneqUB: Matrix of upper bounds for inequality constraints.
- solLB: Matrix of lower bounds for decision variables.
- solUB: Matrix of upper bounds for decision variables.
- solctrl: Matrix of control parameters containing:
 - ρ : The penalty parameter in the augmented objective function with the default value of 1.
 - maxit: Number of major iterations with the default value of 400.
 - minit: Number of minor iterations with the default value of 800.
 - δ : Step size in numerical gradient calculation with the default value of 1e-7.
 - tol: Relative tolerance on feasibility and tolerance with the default value of 1e-8.
- verbose: An integer variable with 3 levels (1, 2, 3) for printing throughout CSOLNP. verbose = 3 prints every calculation within CSOLNP.

4.5.2 Output

A structure containing the following values:

- Final objective value.
- Optimal estimations of decision variables.
- Hessian at the optimal solution.
- Gradient at the optimal solution.
- A variable named `inform` reporting the result of the optimization (same as `inform` variable returned by NPSOL optimizer). The following scenarios are reported by different values of `inform`:
 - `inform = 0`: Optimal solution is found.
 - `inform = 1`: The optimal solution is found but not to the requested accuracy.
 - `inform = 4`: Maximum number of major iterations is reached.
 - `inform = 6`: No improvement can be made to the current point (no convergence).

4.5.3 Restoring NPSOL

To use NPSOL, your OpenMx must be compiled to include it. If NPSOL is available, you can make it the default optimizer with

```
mxOption(NULL, "Default optimizer", "NPSOL")
```

You can also control this setting with the `IMX_OPT_ENGINE` environment variable.

4.5.4 Comparing the performances of CSOLNP, and NPSOL

Running the test suite of the package with both optimizers resulted in the following average running times:

```
NPSOL
real 3m58.2688s
user 3m56.4598s
sys 0m1.5264s
```

```
CSOLNP
real 4m13.9032s
user 4m11.8268s
sys 0m1.7012s
```

CHANGES IN OPENMX

5.1 trunk

- changed FIML fit functions to report all elements when vector=TRUE
- added mxThreshold() function
- migrated from MxObjective* to mxFitFunction* and mxExpectation*
- bug fix in multiple-iteration upper confidence interval estimation
- renamed global state from “currentState” to “globalState”
- bug fix in mxRun() where a model with grandchildren submodels can have its internal state corrupted
- detect non-conformable arrays for elementwise division in the front-end
- added ‘return’ statements to error conditions in the backend algebra calculations.
- fix crash in Hessian calculation when no objective function is specified
- throw an error if standard errors are enabled and Hessian calculation is disabled
- added confidence interval calculations to checkpoint output

5.2 Release 1.3.0-2168 (September 17, 2012)

- added mxOption() for “Analytic Gradients” with possible values “Yes”/“No”
- added ‘cache’ and ‘cacheBack’ arguments to mxEval()
- added omxLocateParameters() function (see ?omxLocateParameters)
- type=’RAM’ allowing ‘manifestVars’ argument to appear in a different order than in the observed covariance matrix.
- the configuration mxRun(model, checkpoint = TRUE) writes a line in the checkpoint file at the conclusion of model optimization.
- added “Always Checkpoint” to mxOptions() with values “Yes” or “No”
- header for the checkpoint file will identify anonymous free parameters with the string model-Name.matrixName[row,col]
- omxGetParameters() and omxSetParameters() support anonymous free parameters
- implemented cov2cor in the OpenMx backend
- mxOption “Major iterations” accepts either a value or a function

- now tracking the MxAlgebra and MxMatrix objects that need to be updated when populating free parameters or updating definition variables.
- performance improvements in mxModel() when building RAM models
- performance improvements in mxRun() frontend for large matrices
- rewrite on the processing of objective functions in the frontend
- added R functions omxCbind(), omxRbind(), and omxTranspose()
- added 'fetch' argument to omxGetParameters()

5.3 Release 1.2.5-2156 (September 5, 2012)

- bugfix to omxRAMtoML() when input model has covariance data
- fixing memory leak in cleaning up algebras when optimization is complete
- fixing memory leak in omxImaginaryEigenvalues()
- fixed a bug that manifests in confidence intervals with definition variables (see <http://openmx.psyc.virginia.edu/thread/1505>)
- fixed a bug in the identification of NA definition variables (see <http://openmx.psyc.virginia.edu/thread/1521>)

5.4 Release 1.2.4-2063 (May 22, 2012)

- added argument "name" to omxSetParameters()
- error checking for 0-length arguments to mxPath()
- fixing several memory leaks

5.5 Release 1.2.3-2011 (April 10, 2012)

- bugfix when $(I-A)^{-1}$ speedup is disabled
- bugfix in mxAlgebra() detection of missing operator or function
- bugfix in joint FIML when: 1) there are no definition variables, 2) the first (sorted) row with a new number of ordinal variables, and 3) has all continuous variables missing

5.6 Release 1.2.2-1986 (March 22, 2012)

- setting default value for mxOption("UsePPML") to "No" until the feature is adequately tested. Added test enforcing default value to test suite.

5.7 Release 1.2.1-1979 (March 21, 2012)

- bug fix for interaction of matrix transpose and square bracket substitutions
- renaming `mxLISRELObjective()` to `imxLISRELObjective()`, LISREL objective function is not yet implemented.
- improved error messages when a free parameter has multiple lbounds/ubounds
- improved error messages when passing strings into `mxModel()`
- improved error messages in `mxEval()`

5.8 Release 1.2.0-1926 (February 04, 2012)

- new interface such that `'objective@info$expMean'`, `'objective@info$expCov'` and `'objective@info$likelihoods'` are available in FIML or RAM objective functions.
- bug fix for `omxSetParameters` with lbound or ubound of NA.
- catching unknown matrix operator or function in `mxAlgebra()` or `mxConstraint()` declaration
- deprecated `'all'` argument from `mxPath` function and replaced it with `'connect'` argument. Also updated demos that used `'all'` argument and documentation.
- removed `'excludeself'` argument from `mxPath()` function
- added deprecation warning for argument `'all' = TRUE` in `mxPath()`
- added support for OpenMP in hessian calculation
- added support for OpenMP in continuous FIML objective function
- added support for OpenMP in ordinal FIML objective function
- added support for OpenMP in joint ordinal/continuous FIML objective function
- added more descriptive error message to `mxOption()`
- serializing the sum operation on likelihoods - floating point addition is not associative

5.9 Release 1.1.2-1818 (October 24, 2011)

- fixed bug in `summary()` function, see <http://openmx.psyc.virginia.edu/thread/1104>
- fixed bug in independence model likelihood calculation for ML objective
- included support for gcc 4.5 and 4.6 under 32-bit x86

5.10 Release 1.1.1-1784 (September 11, 2011)

- fixed several bugs in joint ordinal-continuous integration
- fixed several typos in User Guide

5.11 Release 1.1.0-1764 (August 22, 2011)

- Joint and Ordinal documentation included and up to date.
- added deprecation warning for argument 'all'=TRUE in mxPath()
- added omxSelectRowsAndCols, omxSelectRows and omxSelectCols documentation
- fixed model flattening to keep track of confidence intervals in submodels
- added error checking for dimnames on MxMatrix and MxAlgebra objects
- reformatted comments and heading style for all demos
- fixed segmentation fault on backend error condition
- turn off jiggling of free parameters with starting values of 0.0 when useOptimizer=FALSE
- allow non-RAM objective functions in RAM model
- change model type names to 'default' and 'RAM'
- no longer explicitly transforming RAM + raw data models into FIML models
- fixed bug in MxMatrix indexing operator
- added argument 'threshnames' to mxFIMLObjective() and mxRAMObjective()
- renaming majority of omx* functions to imx* functions. See <http://openmx.psyc.virginia.edu/thread/761>
- added error checking to mxOption() function
- added "Optimality tolerance" to mxOption() selection
- added 'lbound' and 'ubound' columns to summary() output of free parameters
- added asterisks to the 'lbound' and 'ubound' columns when feasibility tolerance is met
- added "omxNot" function to the set of available mxAlgebra() function
- added "omxSelectRows", "omxSelectCols", and "omxSelectRowsAndCols" as mxAlgebra operators()
- added "mean" function to the set of available mxAlgebra() functions
- added slots "expCov" and "expMean" to the MxRAMObjective function
- added useOptimizer option to mxRun.
- added error checking in frontend and backend for non-positive-definite observed covariance matrices
- added "omxGreaterThan", "omxLessThan", "omxApproxEquals", "omxAnd", and "omxOr" operators to the set of mxAlgebra() operators
- error checking for model[[1]] or model[[TRUE]]
- error checking in the front-end whether more than 20 ordinal columns are present in a data set
- improved performance in the front-end in mxModel() for adding paths to RAM models
- print name of algebra when operator has too few or too many arguments
- added mxErrorPool() function and R documentation.
- added Apache license information to all R documentation files.
- new implementation of mxEval().
- new argument 'defvar.row' to mxEval(). See ?mxEval.
- handling definition variables for $(I - A)^{-1}$ speedup

- handling square bracket labels for $(I - A)^{-1}$ speedup
- added argument 'free' to `omxGetParameters`. See `?omxGetParameters`.
- added argument 'strict' to `omxSetParameters`. See `?omxSetParameters`.
- eliminated warnings for confidence interval optimization codes
- added "..." argument to `mxROjectiveFunction()`
- fix memory leak in RAM objective function
- removed dependency to MBESS library in R documentation
- added more descriptive error message when thresholds are not sorted
- incorporated NaN unsafe matrix-matrix multiplication (`dgemm`) from R \leq 2.11.1
- incorporated NaN unsafe matrix-vector multiplication (`dgemv`) from R \leq 2.11.1
- return NA in `mxVersion()` if "OpenMx" cannot be found
- fix infinite loop in objective function transformations
- added initialization to load OpenMx on swift workers
- implemented `omxParallelCI()` to calculate confidence intervals in parallel
- only calculating CIs for upper triangle of symmetric matrices
- cleanup appearance of transient `MxMatrix` objects in error messages
- fix bug with very large number of `omxUntitledName()` objects
- added optional argument `CPUS=n` to "make test" target
- change snowfall interface to use `sfClusterApplyLB()`
- storing raw data in row-major order, and copying contiguous data rows
- fix bug in `mxModel()` when using `remove = TRUE`

5.12 Release 1.0.7-1706 (July 6, 2011)

- error checking in front-end for non-positive-definite observed covariance matrices
- fix bug in `MxMatrix` indexing operator
- added deprecation warning for argument 'all'=TRUE in `mxPath()`

5.13 Release 1.0.6-1581 (March 10, 2011)

- Bug fix corner case in sorting data with definition variables

5.14 Release 1.0.5-1575 (March 8, 2011)

- added error checking in ML objective to match expected covariance and observed covariance matrices
- updated `BootstrapParallel.R` demo to use `mxData()` instead of `model@data`
- added the dataset from the Psychometrika article (www.springerlink.com/content/dg37445107026711)

5.15 Release 1.0.4-1540 (January 16, 2011)

- added initialization to load OpenMx on swift workers
- only calculating CIs for upper triangle on symmetric matrices
- fix bug with very large number of `omxUntitledName()` objects
- incorporated NaN unsafe matrix-vector multiplication (`dgemv`) from R \leq 2.11.1
- fix bug in `mxModel()` when using `remove = TRUE`
- Added intervals to `MxModel` class documentation

5.16 Release 1.0.3-1505 (November 10, 2010)

- return NA in `mxVersion()` if “OpenMx” cannot be found
- eliminate infinite loop in objective function transformations

5.17 Release 1.0.2-1497 (November 5, 2010)

- missing `<errno.h>` include
- fix memory leak in RAM objective function
- incorporated NaN unsafe matrix-matrix multiplication (`dgemm`) from R \leq 2.11.1

5.18 Release 1.0.1-1464 (October 8, 2010)

- bugfix for `mxEval()` and `MxData` objects
- handling definition variables for $(I - A)^{-1}$ speedup
- handling square bracket labels for $(I - A)^{-1}$ speedup
- added argument ‘free’ to `omxGetParameters`. See `?omxGetParameters`.
- added argument ‘strict’ to `omxSetParameters`. See `?omxSetParameters`.
- eliminated warnings for confidence interval optimization codes

5.19 Release 1.0.0-1448 (September 30, 2010)

- added missing entries to demo 00INDEX file

5.20 Release 0.9.2-1446 (September 26, 2010)

- added growth mixture models to user guide
- added initial Swift hook in `omxLapply()` - currently activated only for `mxRun` calls

- fixed a bug in `mxRename()` when encountering symbol of missingness
- bugfix for crash when '*' is used instead of '%*%'
- feature removal: square brackets in `MxMatrix` labels now accept only literal values
- bugfix for definition variables used in `mxRowObjective` (which is still experimental)
- bugfix for $(I - A)^{-1}$ speedup with FIML optimization

5.21 Release 0.9.1-1421 (September 12, 2010)

- fixed a bug in -2 LL calculation in RAM models with definition variables and raw data

5.22 Release 0.9.0-1417 (September 10, 2010)

- improved error messages for non 1 x n means vectors in FIML and ML
- fixed a performance bug that was forcing too many recalculations of the covariance matrix in FIML optimizations.
- default behavior is to disable standard error calculations when model contains nonlinear constraints
- improved error messages for NA values in definition variables
- added error message when expected covariance dimnames and threshold dimnames do not contain the same elements.
- fixed a bug when `mxRename()` encounters a numeric or character literal.
- new chapters added to OpenMx user guide.
- fixed a bug in -2 log likelihood calculation with missing data

5.23 Release 0.5.2-1376 (August 29, 2010)

- improved error messages when identical label is applied to free and fixed parameters
- added 'onlyFrontend' optional argument to `mxRun()` function. See `?mxRun`.
- disabling `cbind()` and `rbind()` transformations as they are broken.

5.24 Release 0.5.1-1366 (August 22, 2010)

- added error detection when multiple names are specified in `mxMatrix()`, `mxAlgebra()`, etc.
- removed 'digits' argument from `mxCompare`. Target behavior of argument was unclear. See `?mxCompare`
- more informative error messages for 'dimnames' argument of objective functions
- more informative error messages when constraints have wrong dimensions
- improved error detected for 'nrow' and 'ncol' arguments of `mxMatrix()` function
- fixed a bug in ordinal FIML objective functions with non-used continuous data

5.25 Release 0.5.0-1353 (August 08, 2010)

- calculating cycle length of RAM objective functions
- bugfix: preserve rownames when converting data.frame columns to numeric values
- ‘nrow’ and ‘ncol’ arguments now supercede matrix dimensions in mxMatrix()
- add boolean argument ‘vector’ to mxRAMObjective() for returning the vector of likelihoods
- added demo(OneFactorModel_LikelihoodVector) as example of ‘vector=TRUE’ in RAM model
- cbind() and rbind() inside MxAlgebra expressions with all arguments as MxMatrix objects are themselves transformed into MxMatrix objects
- bugfix with square bracket substitution
- finishing implementing sorting of raw data in mxFIMLObjective()
- added ‘RAM Optimization’ and ‘RAM Max Depth’ to model options. See ?mxOption
- added support for linux x86_64 with gcc 4.1.x

5.26 Release 0.4.1-1320 (June 12, 2010)

- confidence interval optimizations now jitter if they can’t get started
- added error checking for dimensions of expected means in ML + FIML objectives
- check for missing observed means when using (optional) expected means in ML
- added citation(“OpenMx”) information

5.27 Release 0.4.0-1313 (June 09, 2010)

- fixed bug in calculation of confidence intervals around non-objective values
- checking for partial square bracket references on input
- fixed error reporting for non-positive-definite covariances in FIML
- implemented initial sorting-based speedup for FIML objectives
- added ‘No Sort Data’ to mxOptions()
- eliminated getOption(‘mxOptimizerOptions’) and getOption(‘mxCheckpointOptions’)
- added getOption(‘mxOptions’)
- error messages for illegal names provide function call information
- added ‘estimates’ column to confidence intervals in summary() of model
- fixed bug so checkpointing will work in R 2.9.x series
- fixed bug so mxRename() works on confidence interval specification
- renaming ‘estimates’ column of confidence interval summary output to ‘estimate’

5.28 Release 0.3.3-1264 (May 24, 2010)

- confidence interval frontend was requesting nonexistent matrices
- `omxNewMatrixFromMxMatrix()` assumed input was always integer vector S-expression
- confidence intervals mislabeling free parameter names

5.29 Release 0.3.2-1263 (May 22, 2010)

- added 'newlabels' argument to `omxSetParameters()` function
- now throwing errors to the user when detected from the backend in `mxRun()`
- checkpointing mechanism implemented - `mxRun(model, checkpoint = TRUE)`
- never computing confidence intervals for matrix cells where `free = FALSE` (all bets are off on algebras)
- added `mxOption(model, "CI Max Iterations", value)`
- added documentation for `mxRestore()` function
- default expected means vectors are no longer generated

5.30 Release 0.3.1-1246 (May 09, 2010)

- new arguments to `mxRun()` for checkpointing and socket communication (doesn't work yet)
- throw an error if FIML objective has thresholds but observed data is not a `data.frame` object.
- bugfix for R version 2.11.0 is detecting `as.symbol("")` character as missing function parameter
- `mxFactor()` function accepts `data.frame` objects
- added `mxCI()` function to calculate likelihood-based confidence intervals
- `mxCompare()` shows model information for base models
- added flag `all=[TRUE|FALSE]` to `mxCompare()` function
- 'SaturatedLikelihood' argument to `summary()` function will accept `MxModel` object

5.31 Release 0.3.0-1217 (Apr 20, 2010)

5.31.1 new features

- implemented new ordinal data interface <http://openmx.psyc.virginia.edu/thread/416#comment-1421> (except for 'means=0' component)
- added `mxFactor()` function (see `?mxFactor` for help)
- added R documentation for `rvectorize()` and `cvectorize()`
- implemented eigenvalues and eigenvectors
- added 'numObs', 'numStats' arguments to `mxAlgebraObjective()`
- added 'numObs', 'numStats' arguments to `summary()`

5.31.2 changes to interface

- `mxConstraint("A", "=", "B")` is now written as `mxConstraint(A == B)`
- renaming 'cov' argument to 'covariance' in `omxMnor()`
- renaming 'lbounds' argument to 'lbound' in `omxMnor()`
- renaming 'ubounds' argument to 'ubound' in `omxMnor()`
- renaming 'cov' argument to 'covariance' in `omxAllInt()`
- argument 'silent = TRUE' to `mxRun()` will no longer suppress warnings
- argument 'suppressWarnings = TRUE' to `mxRun()` will suppress warnings

5.31.3 bug fixes

- added error checking for `mxBounds()` with undefined parameter names
- improving error messages in `mxMatrix()` function
- fixed aliasing bug in `mxAlgebra()` with external variables and constant values

5.31.4 internal

- added directory to repository for nightly tests ("make nightly")
- performance improvement to namespace conversion
- changing `MxPath` data structure from a list to an S4 object
- new signature for `omxSetParameters(model, labels, free, values, lbound, ubound, indep)`
- checked in implementation of mergesort
- changed `mxCompare()` signature to `mxCompare(base, comparison, digits = 3)`

5.32 Release 0.2.10-1172 (Mar 14, 2010)

- bugfix for assigning default data name when default data does not exist
- bugfix for sharing/unsharing data to a three-level hierarchy
- bugfix for error reporting in bad matrix access, uncalculated std. errors, and poor `omxAllint` thresholds
- implemented `rvectorize`, `cvectorize` algebra functions: vectorize by row, and vectorize by column
- not allowing the following forbidden characters in names or labels: "+-!~?:*/^%<>=&|\$"
- added timestamp to `summary()` output
- reimplemented `summary()` function to handle unused data rows, and independent submodels
- reimplemented `names(model)`, `model$foo`, and `model$foo <- value` to return all components of a model tree
- started work on an "OpenMx style guide" section to the User Guide.
- fix documentation + demo errors brought to our attention by dbishop

5.33 Release 0.2.9-1147 (Mar 04, 2010)

- bugfix for ordinal FIML with columns that are not threshold columns
- bugfix for detection of algebraic cycles when multiple objective functions are present
- test cases included for standard error calculation
- enabled standard error calculation by default

5.34 Release 0.2.8-1133 (Mar 02, 2010)

- bugfix for memory leak behavior in kronecker product calculation
- implemented kronecker exponentiation operator `%^%`.
- actually updating means calculations in ordinal FIML models
- removing standard errors from `summary()` until they are computed correctly

5.35 Release 0.2.7-1125 (Feb 28, 2010)

- added 'unsafe' argument to `mxRun` function. See `?mxRun` for more information.
- bugfix for filtering definition variable assignment to current data source.
- bugfix for using `data.frame` with integer type columns that are not factors.

5.36 Release 0.2.6-1114 (Feb 23, 2010)

- implemented `omxAllInt`, use `?omxAllInt` for R help on this function
- implemented `omxMnor`, use `?omxMnor` for R help on this function
- added option to calculate Hessian after optimization. See `?mxOption` for R help.
- added option to calculate standard errors after optimization. See `?mxOption` for R help.
- added R documentation for `vech`, `vechs`, `vec2diag`, and `diag2vec`
- performance improvements for independent submodels
- added 'silent=FALSE' argument to `mxRun()` function
- added R documentation for `omxApply()`, `omxSapply()`, and `omxLapply()`
- wrote `mxRename()` and added R documentation for function
- added 'indep' argument to `summary()` to ignore independent submodels (see `?summary`)
- added 'independentTime' to `summary()` output. Wall clock time for independent submodels.
- added 'wallTime' and 'cpuTime' to `summary()` output. Total wall clock time and total cpu time.
- implemented ':' operator for MxAlgebra expressions. `1:5` returns the vector `[1,2,3,4,5]`
- implemented subranges for '[' operator in MxAlgebra expressions. `foo[1:5,]` is valid inside algebra.
- added `omxGetParameters`, `omxSetParameters`, `omxAssignFirstParameters`. Use `?` for documentation.

- renamed all objective function generic functions from `omxObj*` to `genericObj*`
- enumerated OpenMx and NPSOL options in `?mxOption` documentation
- implemented `foo[x,y]` and `foo[x,y] <- z` for `MxMatrix` objects

5.37 Release 0.2.5-1050 (Jan 22, 2010)

- added 'mxVersion' slot to output of `summary()` function.
- added documentation of `summary()` function.
- set default function precision for ordinal FIML evaluation to "1e-9"
- not throwing an error on `mxMatrix('Full', 3, 3, labels = c(NA, NA, NA))`
- applying identical error checking to single thresholds matrix and single thresholds algebra
- implemented generic method names() for `MxModel` objects.
- implemented `vec2diag()` and `diag2vec()` matrix algebra functions.

5.38 Release 0.2.4-1038 (Jan 15, 2010)

- definition variables can now be used inside algebra expressions
- definition variables inside of `MxMatrices` will populate to the 1st row before conformability checking. In plain english: you do not need to specify the starting values for definition variables.
- the square-bracket operator when used in `MxMatrix` labels is no longer restricted to constants for the row and column. The row and column arguments will accept any term that evaluates to a scalar value or a (1 x 1) matrix.
- `summary()` on a model returns a S3 object. Behaves like `summary()` in stats package.
- eliminated `UnusualLabels.R` test case. Too many problems with windows versus OS X versus linux.
- implemented `vech()` and `vechs()` functions: half-vectorization and strict half-vectorization
- fixed bug in ordinal FIML when # of data columns > # of thresholds
- added 'frontendTime' and 'backendTime' values to `summary()` output. They store the elapsed time of a model in the R front-end and C back-end, respectively.
- created a name space for the OpenMx library. Only `mx**()` and `omx**()` functions should be exported to the user, plus several miscellaneous matrix functions and S4 generic functions.
- corrected 'observedStatistics' output of `summary()` to exclude definition variables
- corrected 'observedStatistics' output of `summary()` count the number of equality constraints

5.39 Release 0.2.3-1006 (Dec 04, 2009)

- added 'vector' argument to `mxFIMLObjective()` function. Specifies whether to return the likelihood vector (if TRUE) or the sum of log likelihoods (if FALSE). Default value is FALSE.
- renamed `omxCheckEquals()` to `omxCheckIdentical()`. `omxCheckIdentical()` call "identical" so that NAs can be compared.
- added checking of column names of F and M matrices in RAM objective functions.

- added 'dimnames' argument to mxRAMObjective() function. Populates the column names of F and M matrices.
- added square bracket operator to MxAlgebra expressions. A[x,y] or A[,y] or A[x,] or A[,] are valid.
- square bracket operator supports row and column string arguments.
- mxModel(remove=TRUE) accepts both character names or S4 named entities.
- added support for x86_64 on OS X 10.6 (snow leopard)
- fixed support for x86_64 on Ubuntu 9.10 (gcc 4.4)
- throw error message when inserting a named entity into a model with an identical name
- added Anthony William Fairbank Edwards "Likelihood" (1972; 1984) A, B, O blood group example to online documentation

5.40 Release 0.2.2-951 (Oct 29, 2009)

- omxGraphviz() either prints to stdout or to a filename
- updated omxGraphviz() to draw an arrow if (value != 0 || free == TRUE || !is.na(label))
- omxGraphviz() returns a character string invisibly
- error checking for bogus definition variables
- summary() uses matrix dimnames by default, use options('mxShowDimnames'=FALSE) to disable
- added support for gcc 4.4 (Ubuntu 9.10) on x86 and x86_64 architectures
- created R documentation for omxGraphviz() function
- generalized dependency specification for objective functions (omxObjDependencies)
- fixed cross-reference links in User Guide

5.41 Release 0.2.1-922 (Oct 10, 2009)

- checked observed data for dimnames on ML objective functions
- using dimnames= argument to mxMLObjective() and mxFIMLObjective() propagates to MxMatrix objects on output.
- bug fix for error message where model name is incorrect
- updated user guide in response to feedback from beta testers
- incremented version number to 0.2.1-922 to sync demos and user guide

5.42 Release 0.2.0-905 (Oct 06, 2009)

- several of the twin model demo examples have been recoded.
- fixed bug with non-floating point matrices.
- more error checking for mxPath().
- tools/mxAlgebraParser.py will convert Mx 1.0 algebra expressions (Python PLY library is required).

- renamed “parameter estimate” column to “Estimate” and “error estimate” to “Std.Error” in summary().
- added ‘dimnames’ argument to mxFIMLObjective() and mxMLObjective().
- error checking for RAM models with non-RAM objective functions.

5.43 Release 0.1.5-851 (Sep 25, 2009)

- improved error messages on unknown identifier in a model (beta tester issue)
- fixed bug in mxMatrix() when values argument is matrix and byrow=TRUE
- implemented square-bracket substitution for MxMatrix labels
- fixed a bug in computation of omxFIMLObjective within an algebra when definition variables are used
- significant alterations to back-end debugging flags
- tweaked memory handling in back-end matrix copying
- added support for x86_64 linux with gcc 4.2 and 4.3

5.44 Release 0.1.4-827 (Sep 18, 2009)

- added checking and type coercion to arguments of mxPath() function (a beta tester alerted us to this)
- moved matrices into submodels in UnivariateTwinAnalysis_MatrixRaw demo
- added Beginners Guide to online documentation
- mxRun() issues an error when the back-end reports a negative status code
- named entities and free or fixed parameter names cannot be numeric values
- constant literals are allowed inside mxAlgebra() statements, e.g. mxAlgebra(1 + 2 + 3)
- constant literals can be of the form 1.234E+56 or 1.234e+56.
- type checking added to mxMatrix arguments (prompted by a forum post)
- mxPath() issues an error if any of the arguments are longer than the number of paths to be generated
- data frames are now accepted at the back-end
- FIML ordinal objective function is now working. Still a bit slow and inelegant, but working
- FIML ordinal now accepts algebras and matrices. dimnames of columns must match data elements
- implemented free parameter and fixed parameter substitution in mxAlgebra statements
- implemented global variable substitution in mxAlgebra statements
- turned off matrix and algebra substitution until a new proposal is decided
- snow and snowfall are no longer required packages
- added cycle detection to algebra expressions
- mxEval() with compute = TRUE will assign dimnames to algebras
- added dimnames checking of algebras in the front-end before optimization is called
- added ‘make rproftest’ target to makefile

5.45 Release 0.1.3-776 (Aug 28, 2009)

- `mxEvaluate()` was renamed to `mxEval()` after input from beta testers on the forums.
- new function `mxVersion` that prints out the current version number (beta tester request).
- When printing OpenMx objects, the `@` sign is used where it is needed if you would want to print part of the object (beta tester request).
- now supports PPC macs.
- implemented AIC, BIC and RMSEA calculations.
- `mxMatrix` documentation now talks about lower triangular matrices (beta tester request).
- fixed bugs in a number of demo scripts.
- added chi-square and p-value patch from beta tester Michael Scharkow.
- added comments to demo scripts.
- fixed a bug in the quadratic operator (a beta tester alerted us to this).
- means vectors are now always 1xn matrices (beta tester request).
- added an option “compute” to `mxEval()` to precompute matrix expressions without going to the optimizer.
- Matrix algebra conformability is now tested in R at the beginning of each `mxRun()`.
- named entities (i.e. `mxMatrices`, `mxAlgebras`, etc.) can no longer have the same name as the label of a free parameter. (This seems obscure, but you will like what we do with it in the next version!)
- can use `options(mxByrow=TRUE)` in the R global options if you always read your matrices in with the `byrow=TRUE` argument. Saves some typing. (beta tester request)
- fixed the standard error estimates summary.
- added `mxVersion()` function to return the version number (as a string).

5.46 Release 0.1.2-708 (Aug 14, 2009)

- **Added R help documentation for `omxCheckCloseEnough()`, `omxCheckWithinPercentError()`, `omxCheckTrue()`, `omxCheckEquals()`, and `omxCheckSetEquals()`**
- **(`mxMatrix`) Fixed a bug in construction of symmetric matrixes.**
 - now supports lower, standardized, and subdiagonal matrices.

5.47 Release 0.1 (Aug 03, 2009)

- (`mxEvaluate`) `mxEvaluate` translates `MxMatrix` references, `MxAlgebra` references, `MxObjectiveFunction` references, and label references.
- (`mxOptions`) added ‘reset’ argument to `mxOptions()`
- **(`mxPath`) renamed ‘start’ argument of `mxPath()` to ‘values’**
 - renamed ‘name’ argument of `mxPath()` to ‘labels’
 - renamed ‘boundMin’ argument of `mxPath()` to ‘lbound’

- renamed ‘boundMax’ argument of mxPath() to ‘ubound’
- eliminated ‘ciLower’ argument of mxPath()
- eliminated ‘ciUpper’ argument of mxPath()
- eliminated ‘description’ argument of mxPath()
- **(dimnames) implemented dimnames(x) for MxMatrix objects**
 - implemented dimnames(x) <- value for MxMatrix objects
 - implemented dimnames(x) for MxAlgebra objects
 - implemented dimnames(x) <- value for MxAlgebra objects
- (mxMatrix) added ‘dimnames’ argument to mxMatrix()
- (mxData) renamed ‘vector’ argument of mxData() to ‘means’

REFERENCE

- [OpenMx R documentation](#)

INDICES AND TABLES

- *search*